

Running Board Installation Instructions

83052 & 83053 (1" Drop)

Ford F150 2015-Current

Read all instructions before beginning installation.

INSTALLATION PACKAGE

Running Board	2
Brackets (Driver Front / Passenger Middle)	2
Brackets (Passenger Front / Driver Rear)	2
Bracket (Driver Middle / Passenger Rear)	2
Bolt Pack (Boards & Brackets)	2

Necessary Tools

Combination wrench or sockets with 13mm
Safety glasses

Bolt Pack Brackets

5/16 or 1/4" USS Flat Washers	16
8mm Serrated Nuts	16

Bolt Pack Running Boards

5/16" x 3/4" Hex Bolt	16
5/16" Serrated Flange Nut	16

Step 1: Reference picture of bracket positions (Fig 1 thru 3). Crew cab will use all 6 brackets. Super & Regular cabs will use only 4 brackets

	Crew Cab	Super Cab	Regular Cab
Driver Front	Fig 1	Fig 1	Fig 1
Driver Middle	Fig 3		
Driver Rear	Fig 2	Fig 2	Fig 1
Pass Front	Fig 2	Fig 2	Fig 2
Pass Middle	Fig 1		
Pass Rear	Fig 3	Fig 3	Fig 3

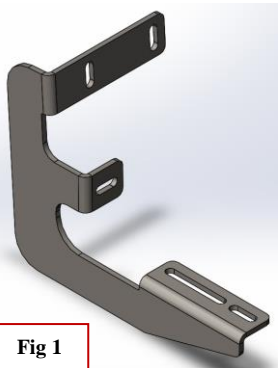


Fig 1

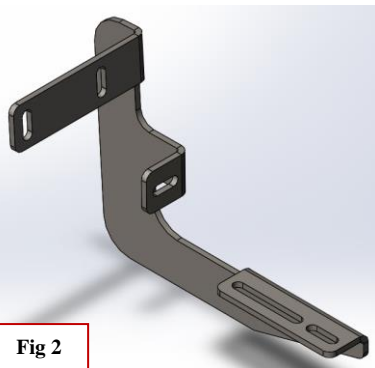


Fig 2

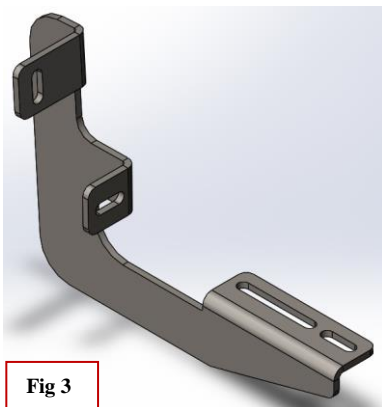
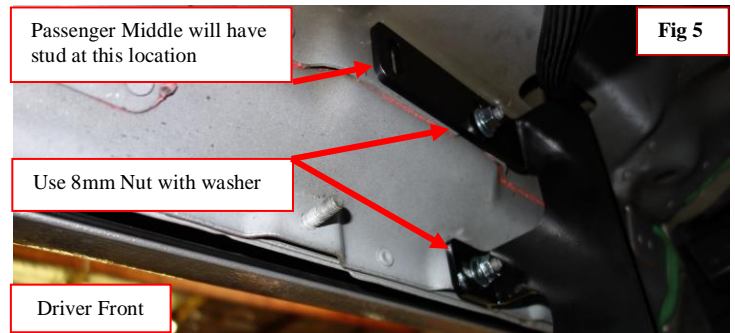


Fig 3

Step 2: Install Driver Front (shown) & Passenger Middle brackets using 8mm nuts with washers leaving them snug not tight as shown (Fig 5).



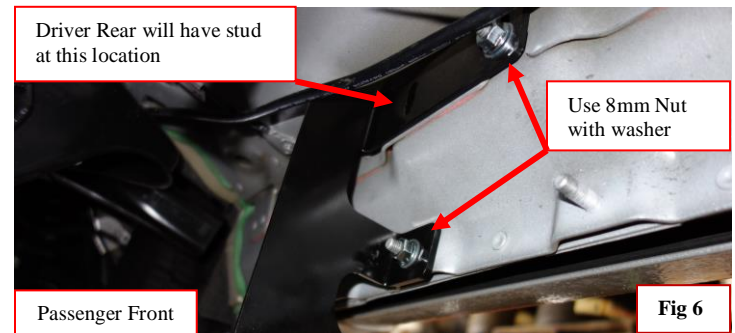
Passenger Middle will have stud at this location

Fig 5

Use 8mm Nut with washer

Driver Front

Step 3: Install Passenger Front (shown) & Driver Rear brackets using 8mm nuts with washers leaving them snug not tight as shown (Fig 6).



Driver Rear will have stud at this location

Use 8mm Nut with washer

Passenger Front

Fig 6

Step 4: Install Driver Middle (shown) & Passenger Rear brackets using 8mm nuts with washers leaving them snug not tight as shown (Fig 7).



Fig 7

Use 8mm Nut with washer

Driver Middle

Step 6: Now install running boards on brackets. You may have different boards than shown. However, they will have the same type of mounting unless additional installation instructions are provided. Obtain the bracket to board bolt pack. Take out the provided 5/16" x 3/4" bolts. Slide the head of the bolts down the channels on the underside of the board.



Fig 8

Step 7: Now with everything installed. Take a look at the board on your vehicle. There is a lot of adjustment in the kit to get the board where you like them. Adjust boards in and out and side to side with the slots on the bracket where board mounts. Adjust the front and rear brackets first and finish with the middle. Once the boards are in place to your liking, tighten all fasteners on the boards and brackets. This will complete your installation. Enjoy!