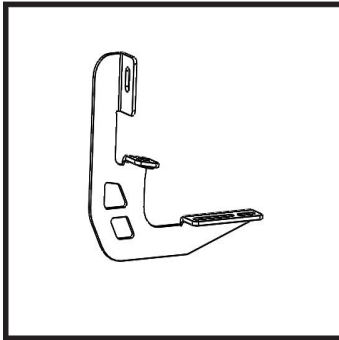




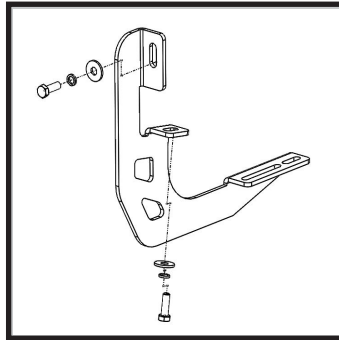
BRACKET KIT

19-CURRENT GM CREW CAB

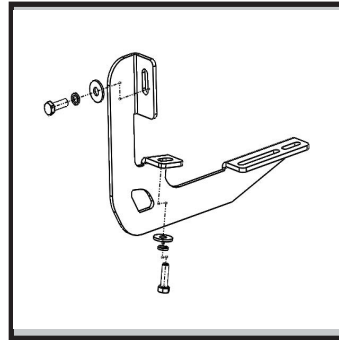
IAT-81090, 91 & 92



81090



81091



81092

Hardware:

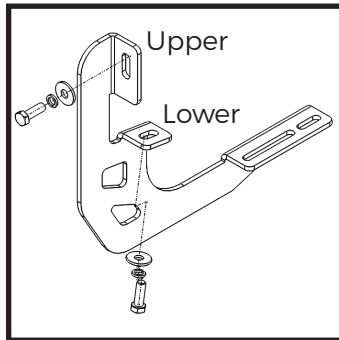
- Brackets (all the same)..... 8
- 8mm X 1.25 Hex Bolt..... 16
- 8mm Lock Washer..... 16
- 8mm Flat Washer 16

Hardware: Running Boards

- 8mm X 1.25 Hex Bolt12
- 8mm Flat Washer12
- 8mm Serrated Flange nut12

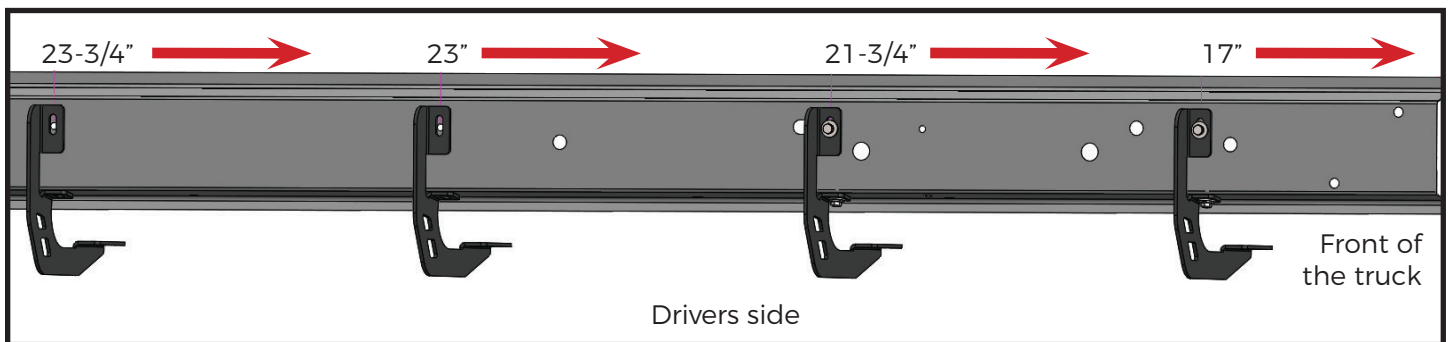
STEP 1:

Each bracket mounts to the rocker panel of the truck in two locations.



STEP 2:

Find the OE threaded holes used to mount brackets (review image in step three as a guide). Apply compressed air and clean each hole. Also test thread a bolt in each hole to assure the threads are free of debris, burrs or crossthreaded.



STEP 3:

There are multiple OE holes along the rocker panel use the above image to assist in placing the bracket to the correct mounting location. The first bracket is mounted 17" from the inner fender well. The second bracket is nearly 21-3/4" from the first, the third is nearly 23" from the second and the last bracket is nearly 22-3/4" from the third.

Thread the upper bracket bolt first, then thread the lower bolt. **Avoid using power or air tools.** Tighten to 20ft lbs torque to secure the bracket to the truck.

Place running board/Step onto the top of the brackets and attach as directed.

877-204-7002 CUSTOMER SUPPORT
MON-FRI (EST) 8AM-5PM, SAT-SUN CLOSED
OR EMAIL, SERVICE@AUTOCUSTOMS.COM