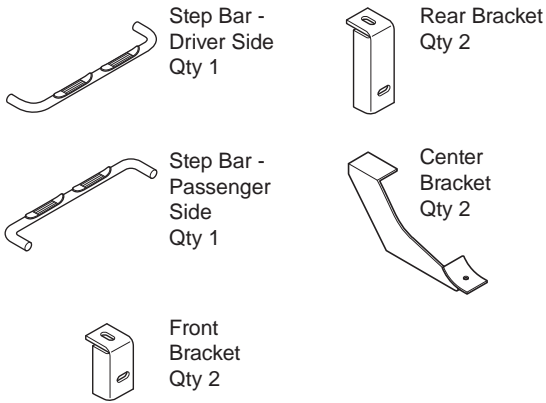


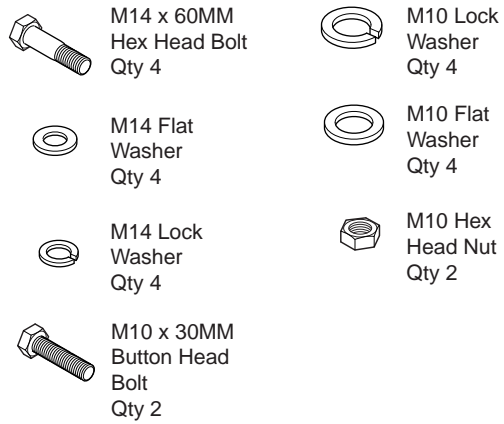
7670200

# 3" ROUND TUBE

## Components:



## Hardware:



Four Wheel Drive Only



Plastic Push Nut Qty 2

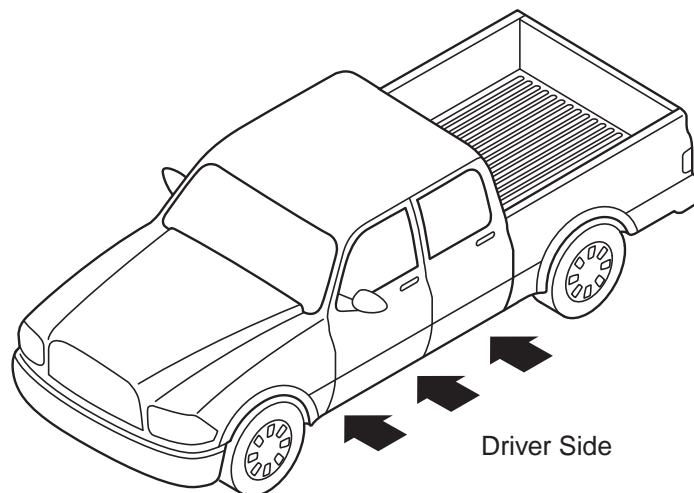


J-Bolt Qty 2

1. Remove all contents from the package and check stainless steel tubes for any damage. Also, verify that all components and hardware listed above are included before you begin installation.

2. Read installation manual and installation drawing completely. Understand all brackets and bolts before installation.

3. Begin installation on the driver's side. Remove driver side original body mount bolts.

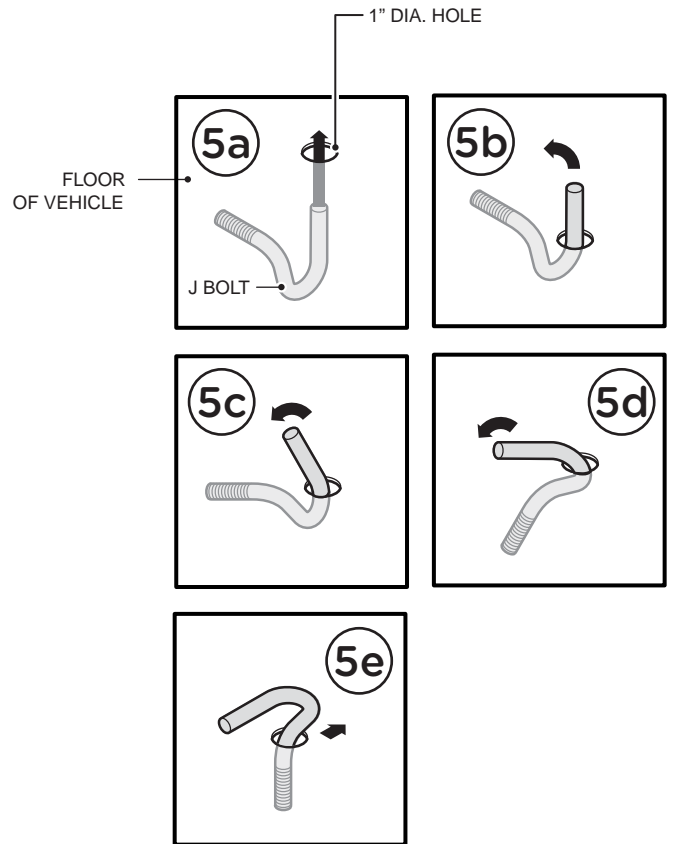
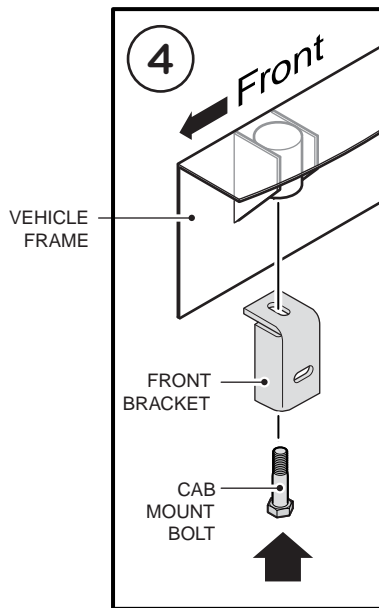


4. Install Front Bracket by fastening with existing bolt.

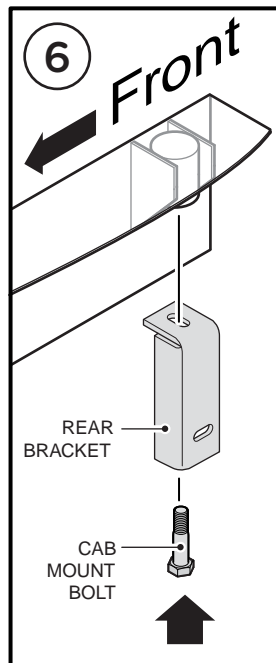
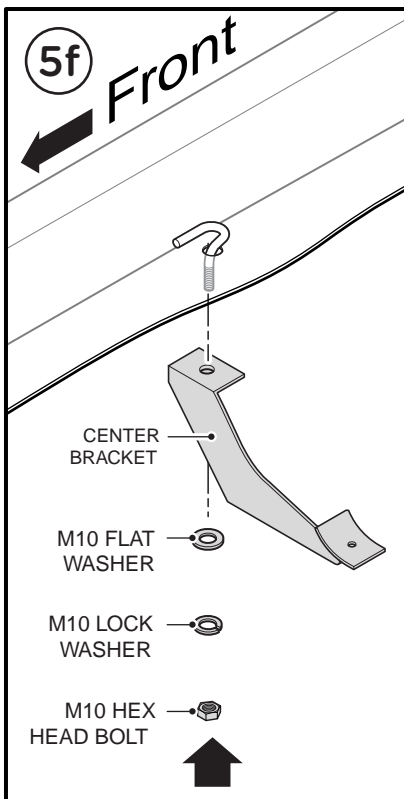
**Note:** Make sure existing washer and rubberbushing is in place.

5. Install J-Bolt as shown (5a through 5e). Fasten the Center Bracket to the J Bolt using one (1) M10 Lock Washer, one (1) Flat Washer and one (1) M10 Hex Head Nut (5f).

For Extended Cab ONLY:  
Locate the 1" hole in the floor of the vehicle between the front and rear body mounts. Place the J-Bolt into the hole and secure with Plastic Push Nut as shown. Position the Center Bracket over J-Bolt and secure M10 Flat Washer, M10 Lock Washer and M10 Hex Head Nut.



6. Install Rear Bracket by fastening with existing bolt.



7. Fasten the Step Bar to the Front and Rear Brackets using one (1) M14 x 60MM Bolt, one (1) M14 Lock Washer and one (1) M14 Flat Washer per bracket.

Fasten the Step Bar to the Center Bracket using one (1) M10 x 30MM Hex Head Bolt, one (1) M10 Flat Washer and one (1) M10 Lock Washer.

Repeat these steps for passenger side installation. When all hardware is in place, everything must be tightened. See Page 1 for Torque Specifications.

