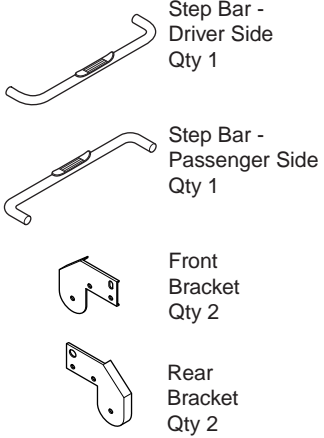


3" ROUND TUBE

Components:



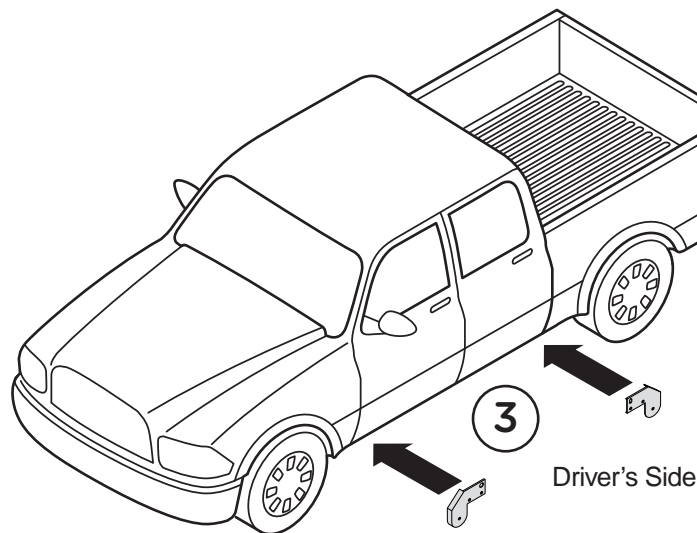
Hardware:



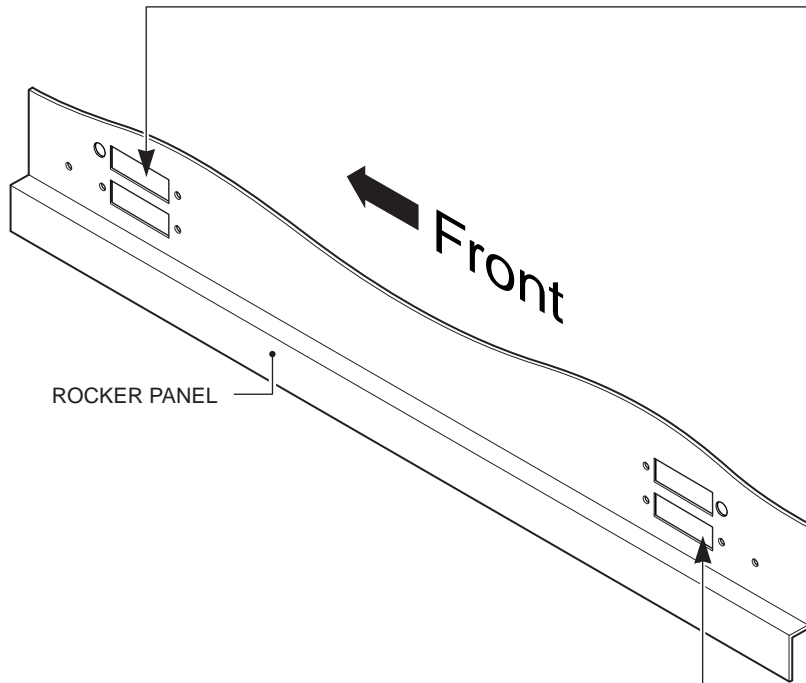
1. Remove all contents from the package and check stainless steel tubes for any damage. Also, verify that all components and hardware listed above are included before you begin installation.

2. Read installation manual and installation drawing completely. Understand all brackets and bolts before installation.

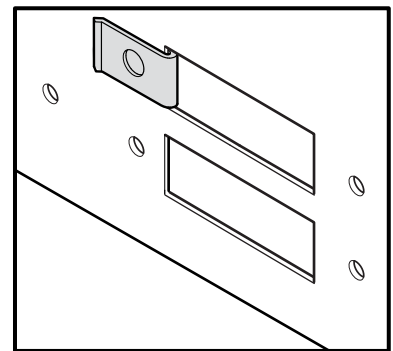
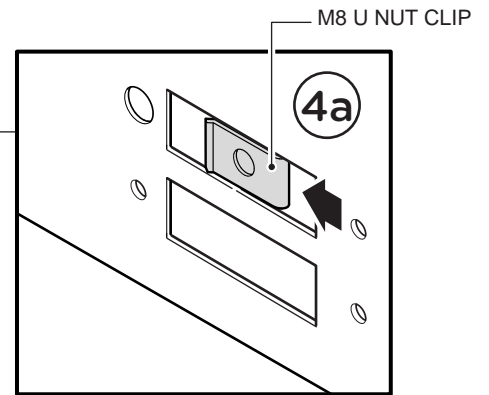
3. Begin installation on driver's side of vehicle.



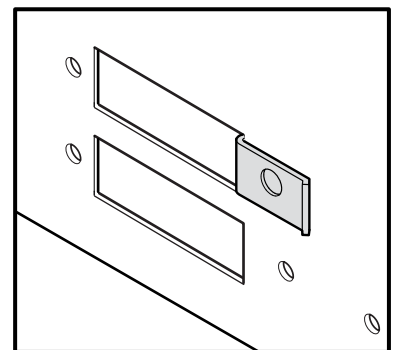
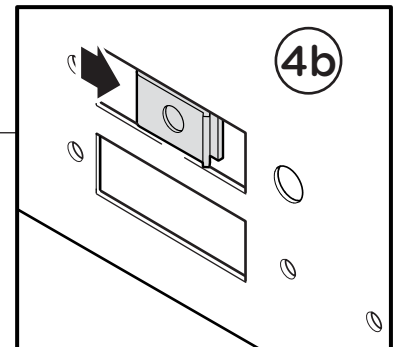
4. Locate the rectangular slots and holes on the Rocker Panel. Install the U-Nut Clips as shown (4a, 4b). Make sure that the threads of the U-Nut Clips are to the inside of the Rocker Panel. Be careful not to drop the U-Nut Clips inside of the Rocker Panel.



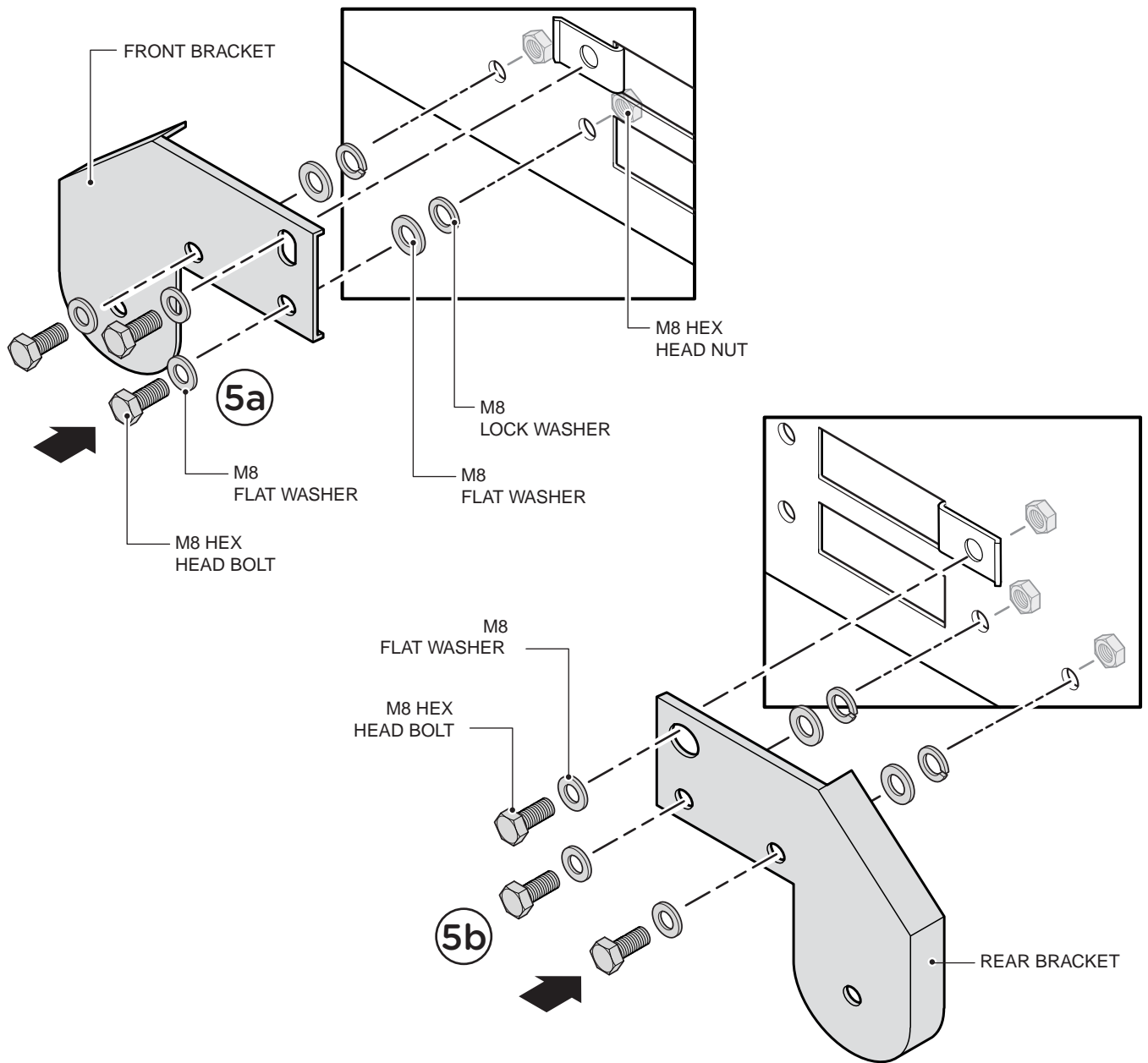
Front of Vehicle



Rear of Vehicle



5. Align the Front and Rear Brackets with the holes on the Rocker Panel and fasten each Bracket using three (3) M8 x 30MM Hex Head Bolts, two (2) M8 Lock Washer, ve (5) M8 Flat Washer per Bracket (5a and 5b).



6. Fasten the Step Bar to the Front and Rear Brackets using one (1) M14 x 60MM Bolt, one (1) M14 Lock Washer and one (1) M14 Flat Washer per bracket.

Repeat these steps for passenger side installation. When all hardware is in place, everything must be tightened. See Page 1 for Torque Specifications.

