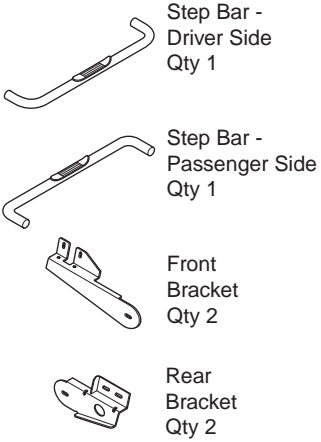


3" ROUND TUBE

Components:

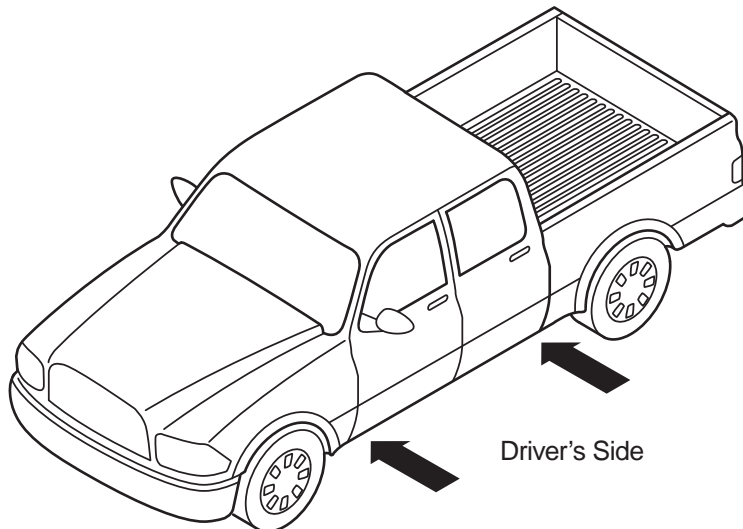


Hardware:



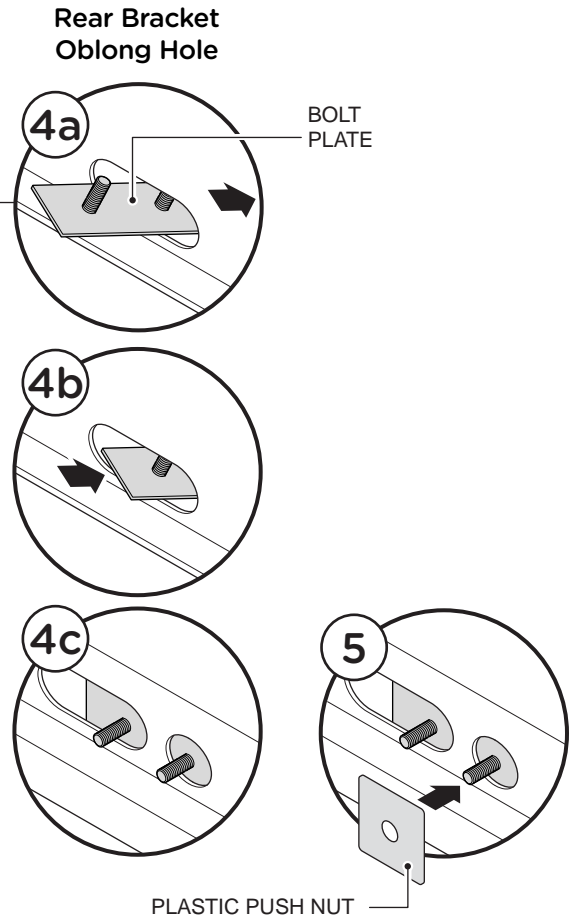
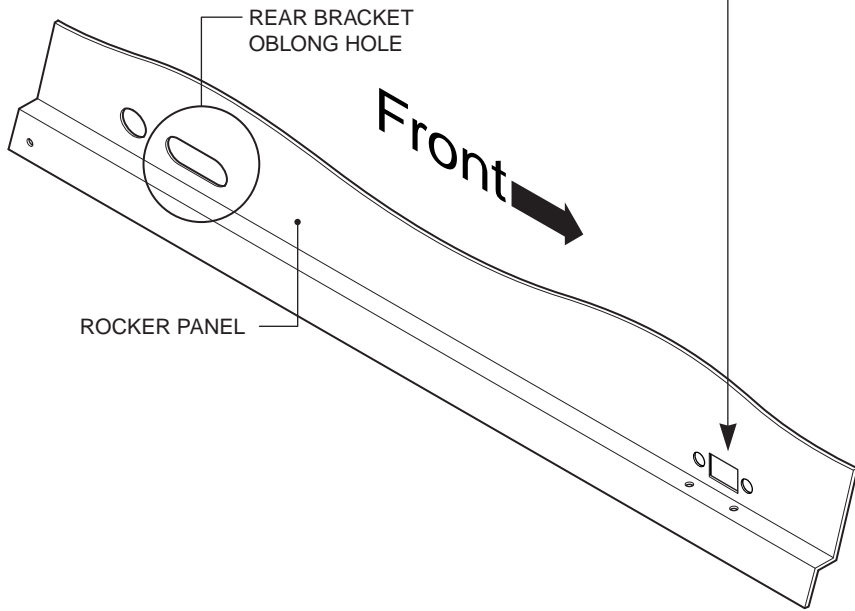
1. Remove all contents from the package and check stainless steel tubes for any damage. Also, verify that all components and hardware listed above are included before you begin installation.

2. Begin installation on the drivers side by removing the black rubber plugs or tape covering the existing holes in the Rocker Panel.

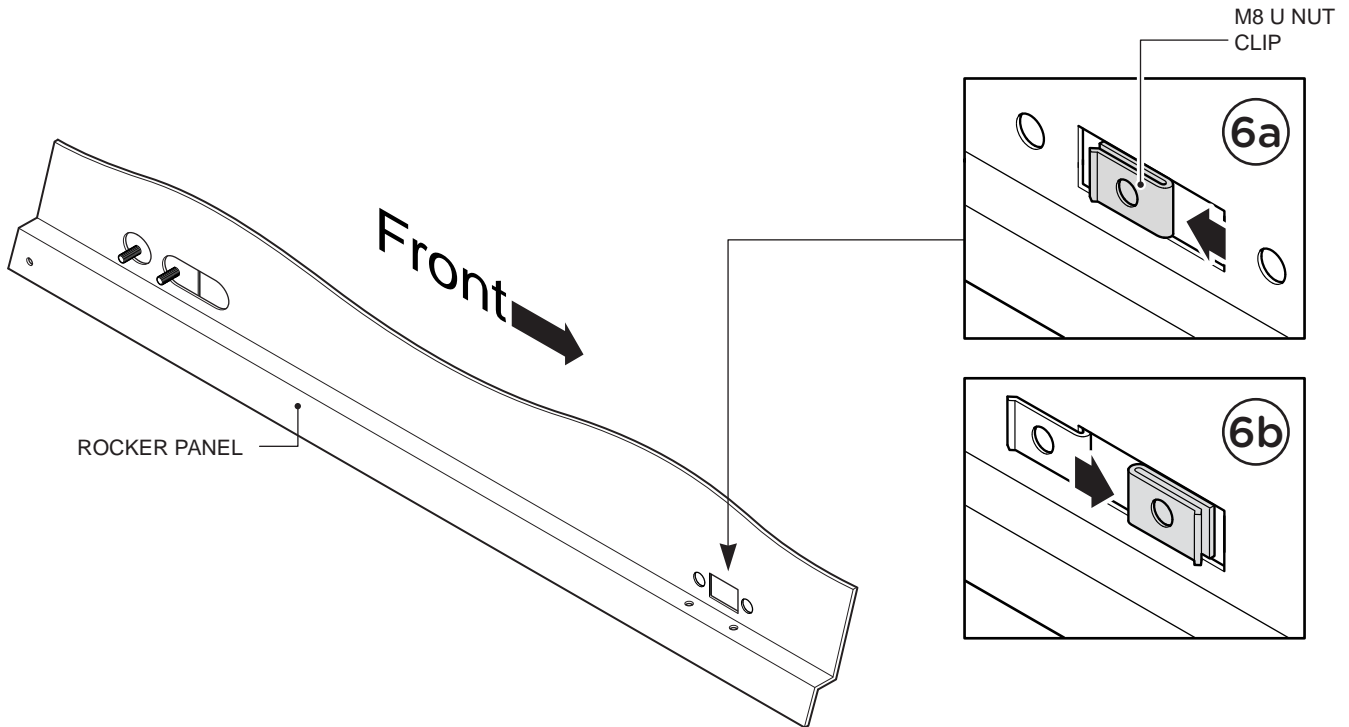


4. Install the Front and Rear Brackets by placing the Bolt Plates through the holes in the Rocker Panel as shown (4a through 4c).

5. Fasten the Plastic Push Nuts onto the threaded stud of the Bolt Plate. This will hold the bolt plate into place during installation.

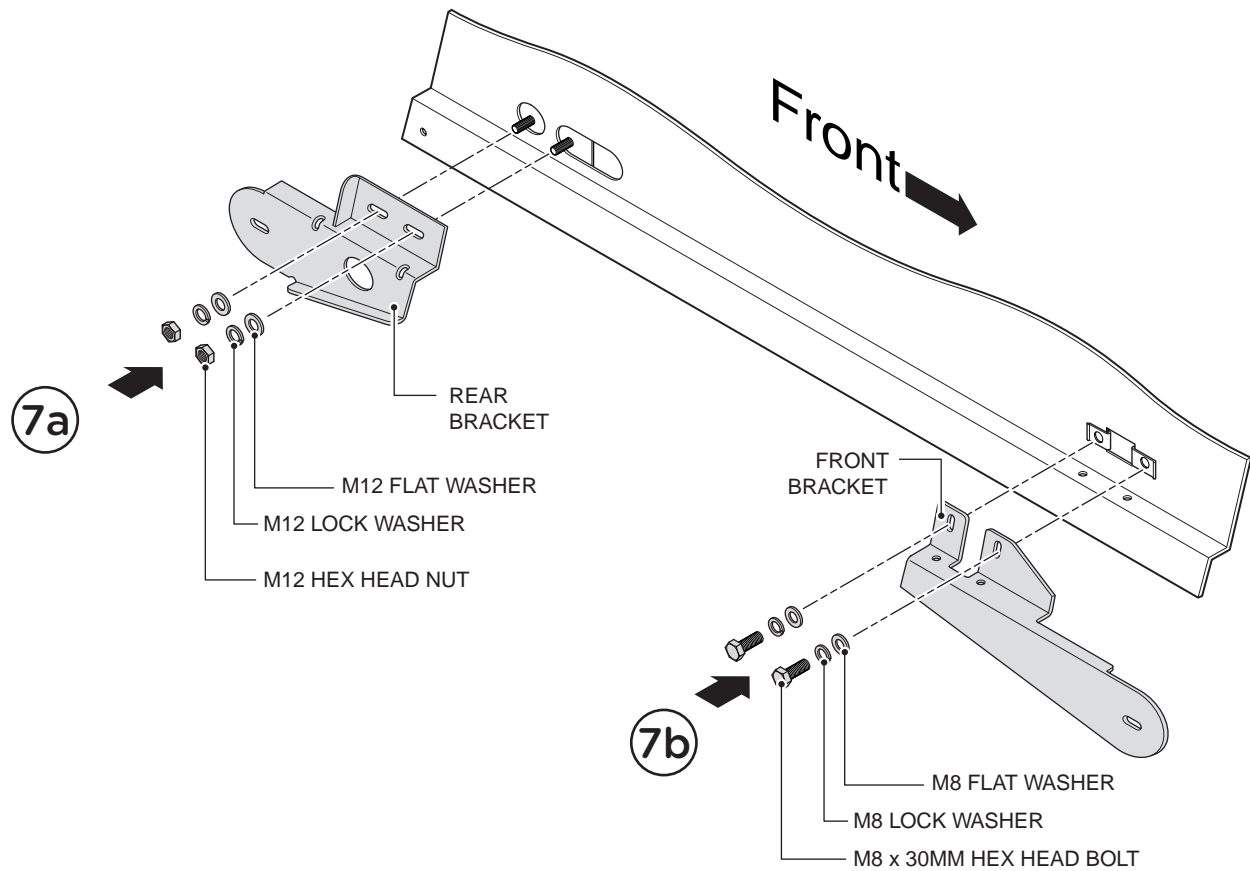


6. Locate the rectangular slots and holes on the Rocker Panel. Install the U-Nut Clips as shown (6a, 6b). Make sure that the threads of the U-Nut Clips are to the inside of the Rocker Panel. Be careful not to drop the U-Nut Clips inside of the Rocker Panel.

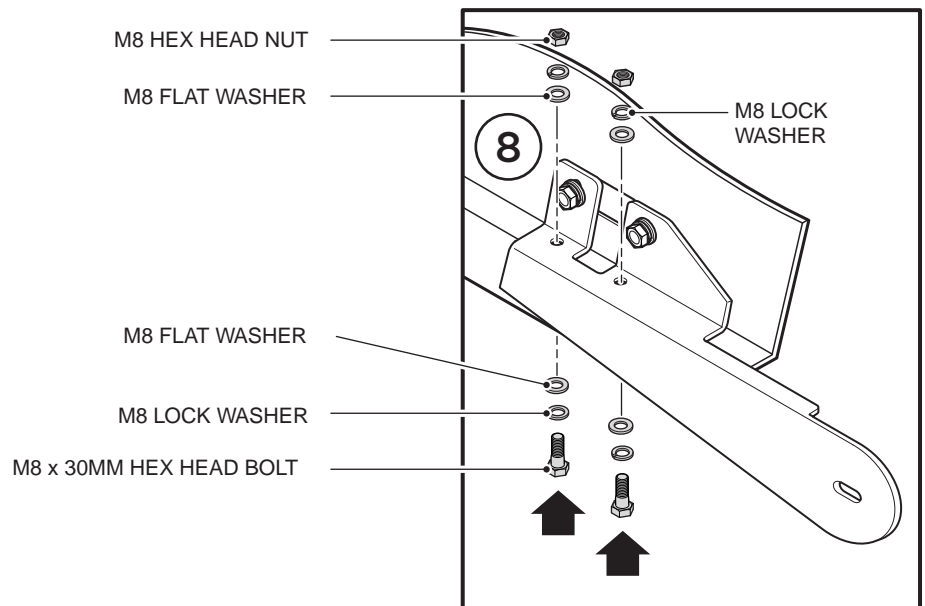


7. Place the Rear Bracket onto the Rocker Panel and fasten to the M12 Bolt Plate using two (2) M12 Hex Hex Nuts, two (2) M12 Lock Washers and M12 Flat Washers.

Place the Front Bracket onto the Rocker Panel and fasten using two (2) M8 x 30MM Hex Head Bolts, two (2) M8 Lock Washers and two (2) M8 Flat Washers.



8. Fasten the bottom of the Front Bracket using two (2) M8 Hex Head Bolts, four (4) M8 Flat Washers, four (4) M8 Lock Washers and two (2) M8 Hex Head Nuts.



9. Fasten the Step Bar to the Front and Rear Brackets using one (1) M14 x 60MM Bolt, one (1) M14 Lock Washer and one (1) M14 Flat Washer per bracket.

Repeat these steps for passenger side installation. When all hardware is in place, everything must be tightened. See Page 1 for Torque Specifications.

