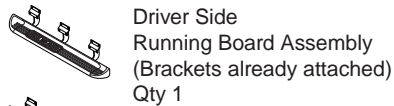
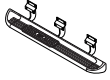


RUNNING BOARD

Components:



Driver Side
Running Board Assembly
(Brackets already attached)
Qty 1



Passenger Side
Running Board Assembly
(Brackets already attached)
Qty 1

Hardware:



M8 Self
Tightening
Screw
Qty 18



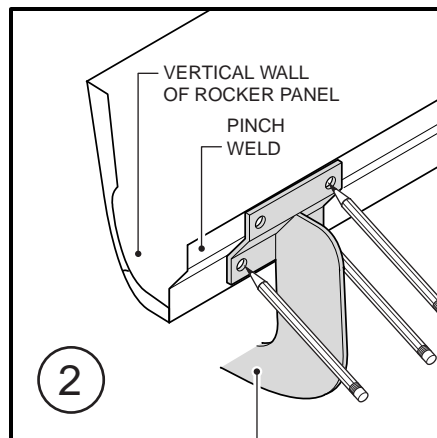
M8 Flat
Washer
Qty 18



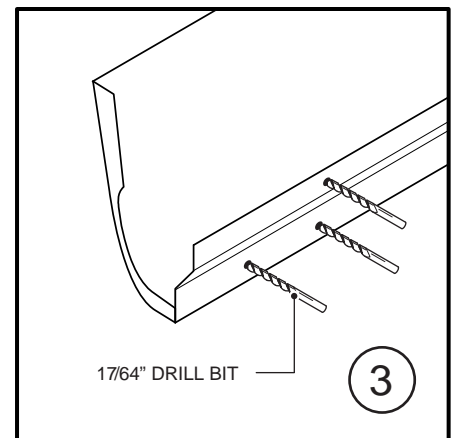
M8 Lock
Washer
Qty 18

1. Remove all contents from the package and check stainless steel running boards for any damage. Also, verify that all components and hardware listed above are included before you begin installation.

2. Beginning on the passenger side, position each Bracket snug up under the Rocker Panel, level the step plate and clamp the Brackets to the pinch weld.



BRACKET



3. Mark the center of the Bracket's bottom holes and the upper right hole on the Pinch Weld and then drill pilot holes using a 17/64" dia. drill bit thru the Pinch Weld.

4. Secure each Bracket to the Pinch Weld using three (3) M8 Self Tightening Screws, three (3) M8 Lock Washers and three (3) M8 Flat Washers per bracket.

Repeat these steps for driver side installation. When all hardware is in place, everything must be tightened. See Page 1 for Torque Specifications.

