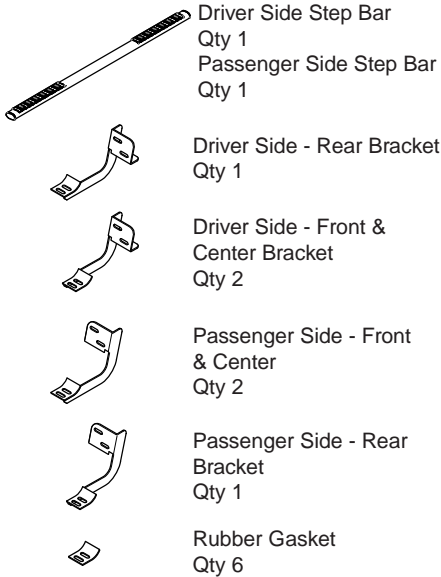
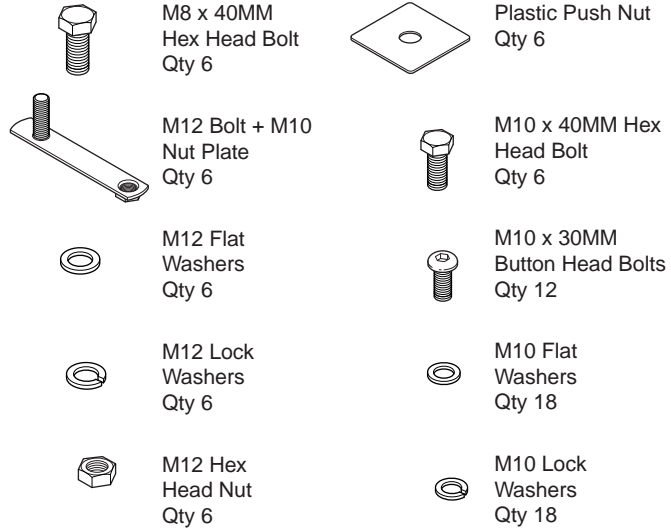


# 6" OVAL BAR

## Components:



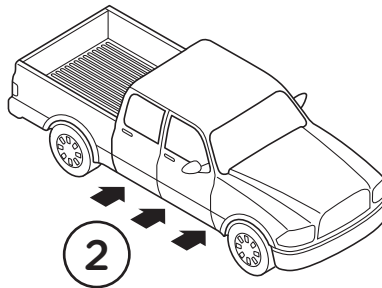
## Hardware:



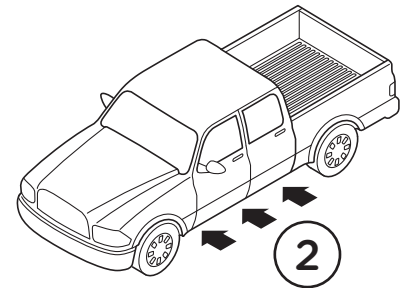
1. Remove all contents from the package and check stainless steel tubes for any damage. Also, verify that all components and hardware listed above are included before you begin installation.

2. Locate factory holes in six (6) places underneath body mount.

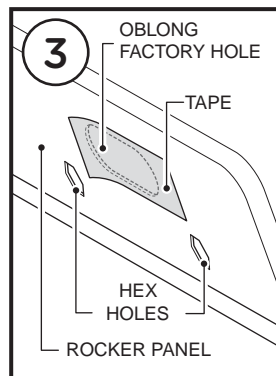
Passenger Side



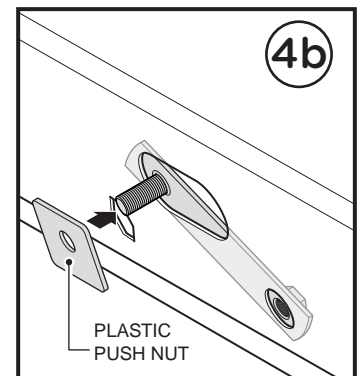
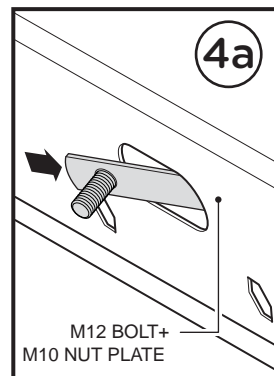
Driver Side



3. Remove the **Tape** covering the factory oblong hole in the rocker panel located above the two (2) hex holes.



4. Place the Plastic Push Nut onto the stud of the M12 Bolt + M10 Nut Plate (4b). Then, slide the M12 Bolt + M10 Nut Plate into the hole in the rocker panel as shown (4a).



5. Front & Center Bracket  
Cradle face to the rear of  
truck and Rear Bracket  
Cradle truck.

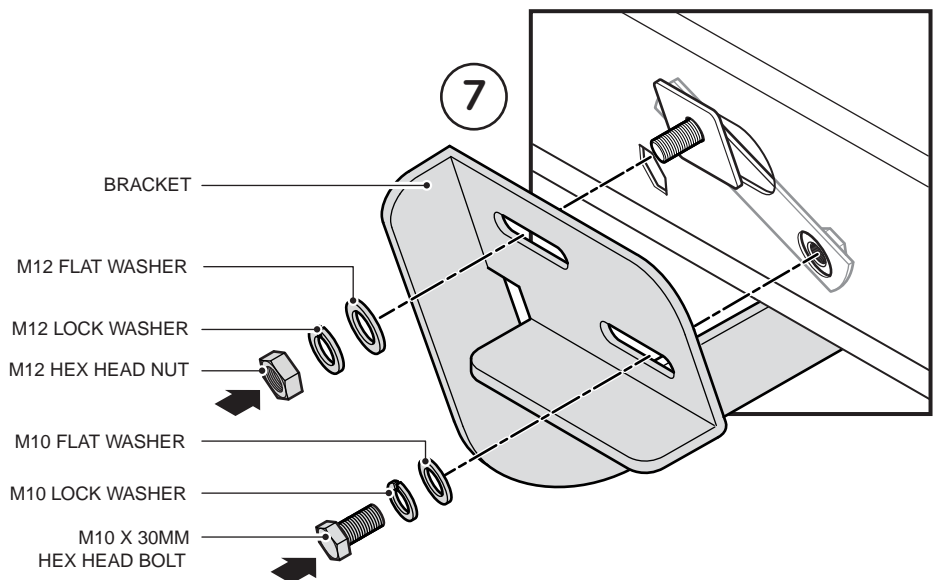
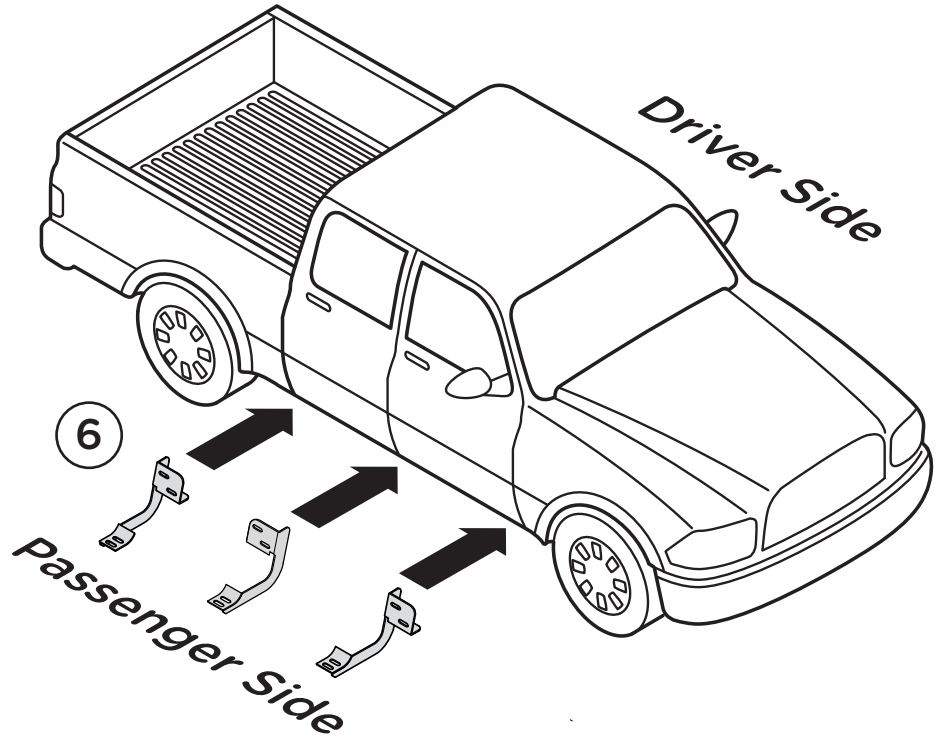
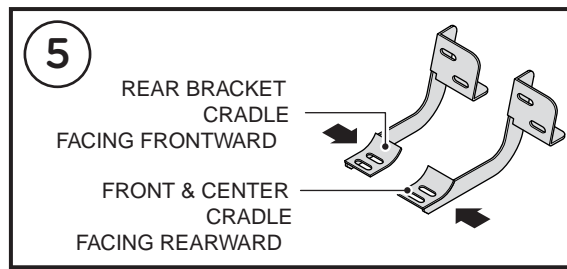
6. Begin installation on  
passenger side. Position  
Front Bracket, Center  
Bracket and Rear Bracket as  
shown along passenger side.

7. Line up each bracket to the  
12 Bolt + M10 Nut Plate located  
in the rocker panel.

Fasten the Bracket onto the  
M12 Bolt using one (1) M12 Flat  
Washer, one (1) M12 Lock  
Washer and one (1) M12 Hex  
Head Nut.

Fasten the Bracket to the  
threaded nut using one (1) M10  
Flat Washer, one (1) M10 Lock  
Washer and one (1) M10 x  
30MM Hex Head Bolt.

If threaded inserts already exist  
in rocker panel holes, use (1)  
M8 Flat Washer, one (1) M8  
Lock Washer and one (1) M8 x  
40MM Hex Head Bolt.



8. Place the Rubber Gaskets onto each Bracket Cradle (8a.) Then, place the Step Bar onto the Brackets and fasten using two (2) M10 Flat Washers, two (2) M10 Lock Washers and two (2) M10 x 30MM Button Head Bolts (8b).

Tighten until the split lock washer is at against bracket and snug. **DO NOT** over tighten and strip the threaded insert in the tube.

Repeat these steps for driver side installation. When all hardware is in place, everything must be tightened. See Page 1 for Torque Specifications.

