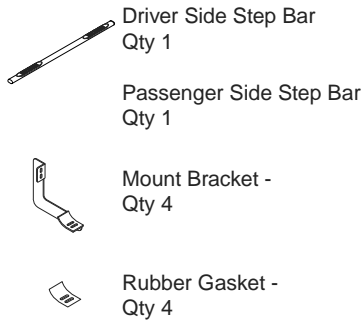
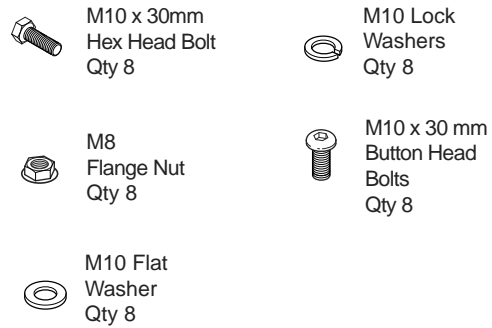


4" OVAL BAR

Components:



Hardware:



Tools Required:



Torque Specifications:

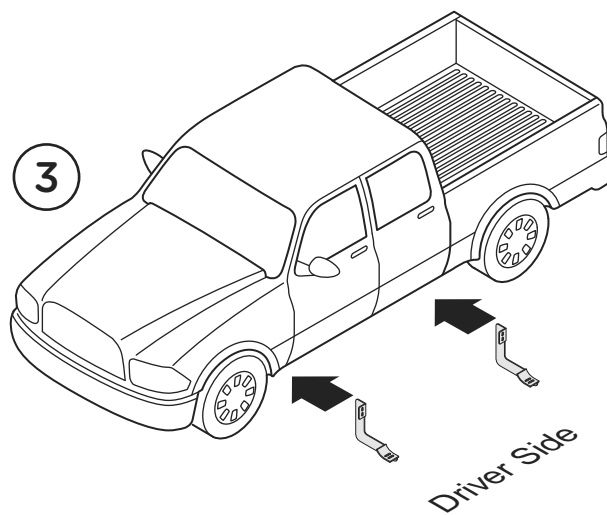
For Rocker Panel Mount Installations
M8 through M12 bolts and nuts are set to 15-20 ft lbs.

Note: When installing the brackets and bars, all hardware must be left loose until all the items are attached.

1. Remove all contents from the pack -
age and check stainless steel tubes for
any damage. Also, verify that all
components and hardware listed above
are included before you begin installa -
tion.

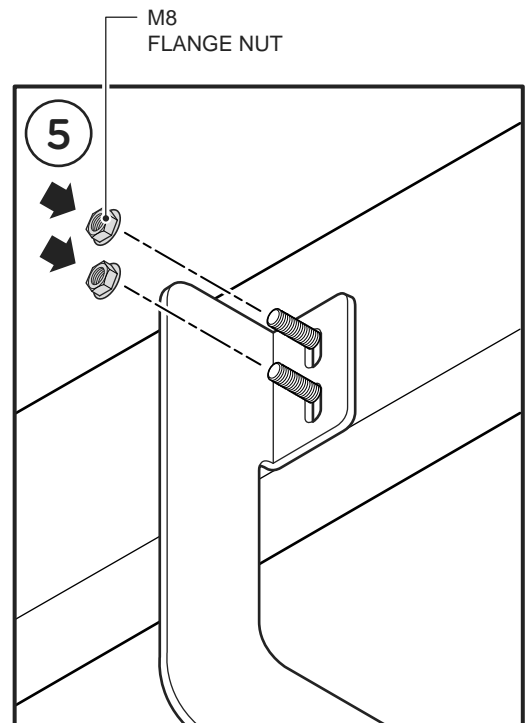
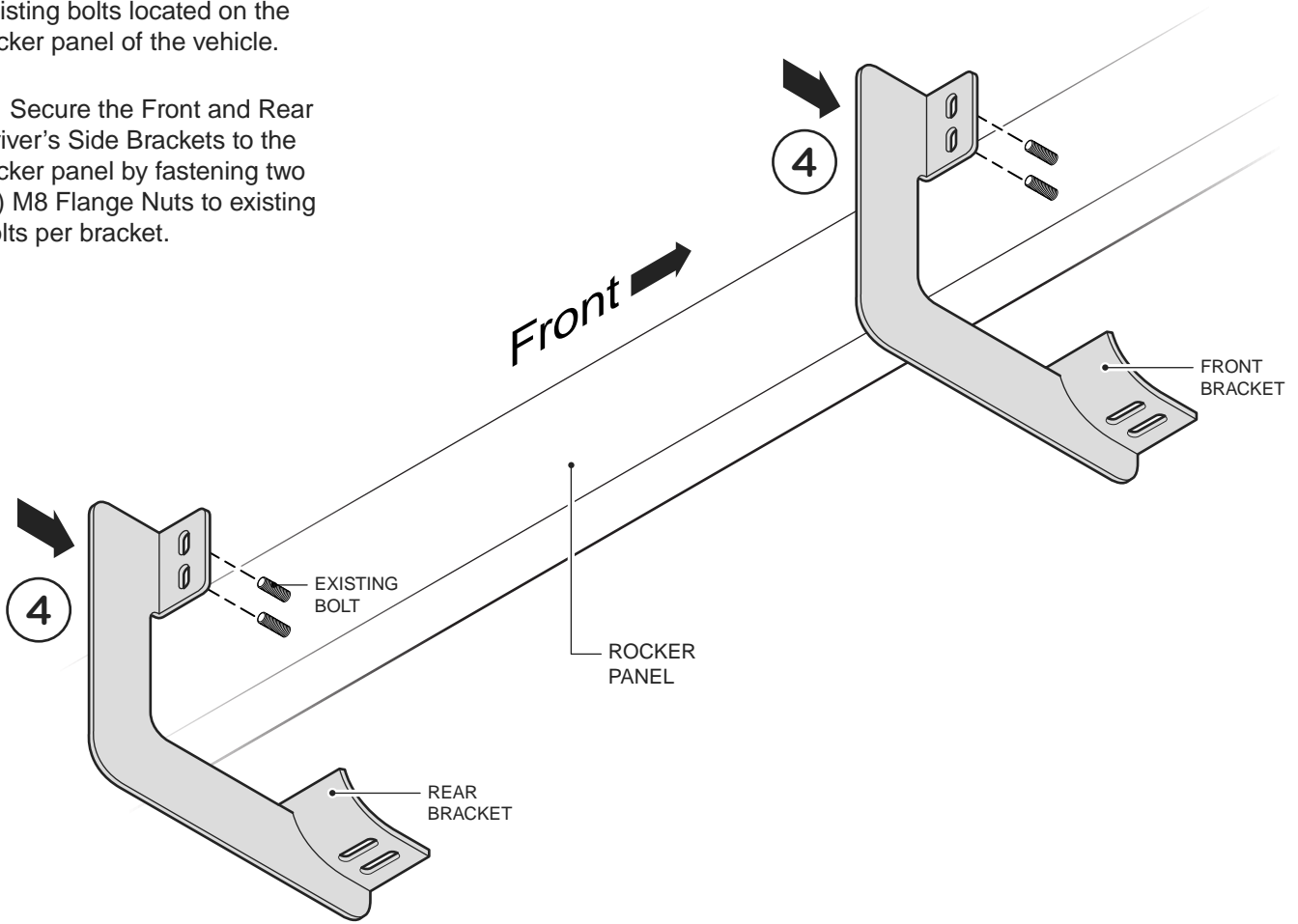
2. Read installation manual and
installation drawing completely.
Understand all brackets and bolts
before installation.

3. Begin installation on the driver's
side. Align **Brackets** as shown.



4. Align the Front and Rear Driver's Side Brackets with existing bolts located on the rocker panel of the vehicle.

5. Secure the Front and Rear Driver's Side Brackets to the rocker panel by fastening two (2) M8 Flange Nuts to existing bolts per bracket.



6. Place the Step Bar onto the Rubber Gaskets. Then, place the Step Bar onto the Brackets. Each Step Bar is marked Driver and Passenger.

7. Secure the Step Bar to the Bracket using two (2) M10 x 30MM Head Bolts, two (2) M10 Lock Washers and two (2) M10 Flat Washers per bracket.

Tighten until the split lock washer is at against bracket and snug. DO NOT over tighten and strip the threaded insert in the tube.

Repeat these steps for passenger side installation. When all hardware is in place, everything must be tightened. See Page 1 for Torque Specifications.

