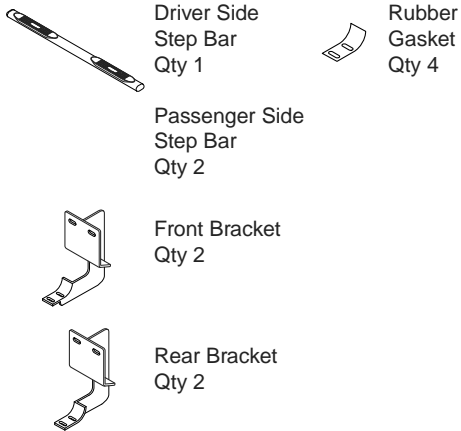
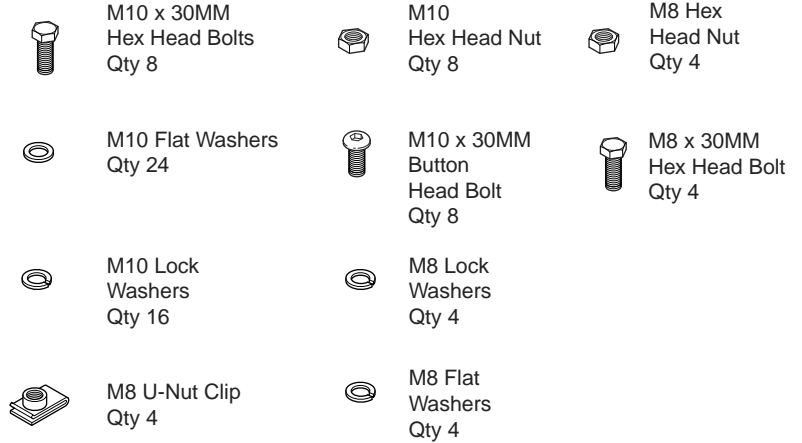


4" OVAL BAR

Components:



Hardware:

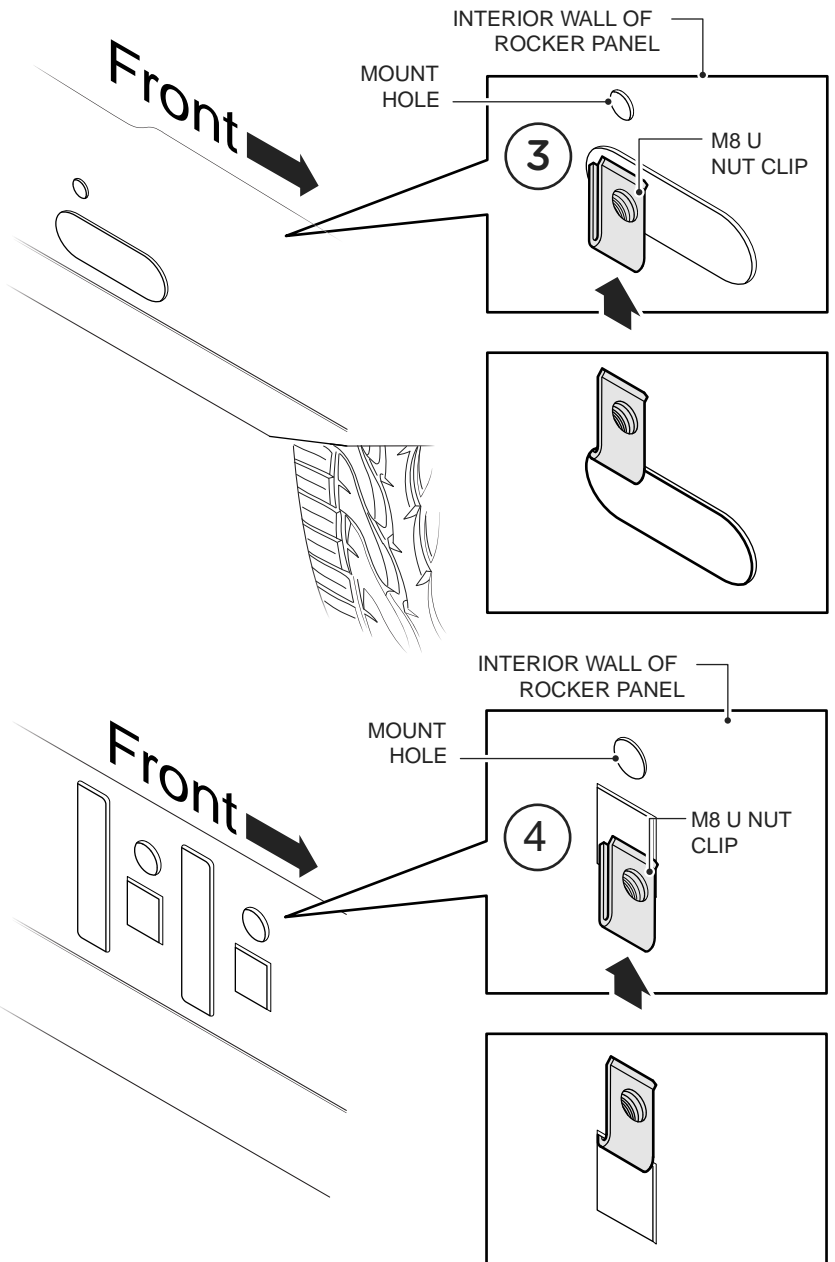


1. Remove all contents from the package and check stainless steel tubes for any damage. Also, verify that all components and hardware listed above are included before you begin installation.

2. Remove the existing tape or plugs from the underside of the truck.

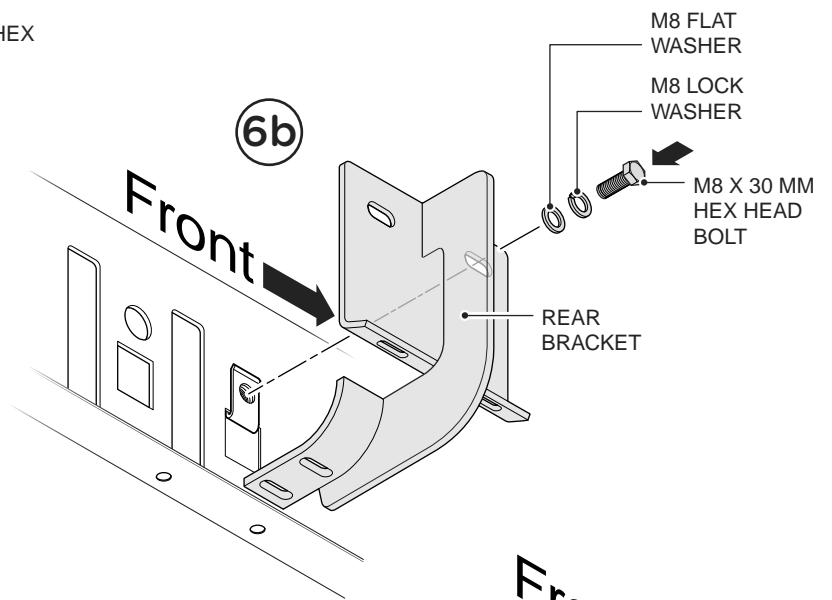
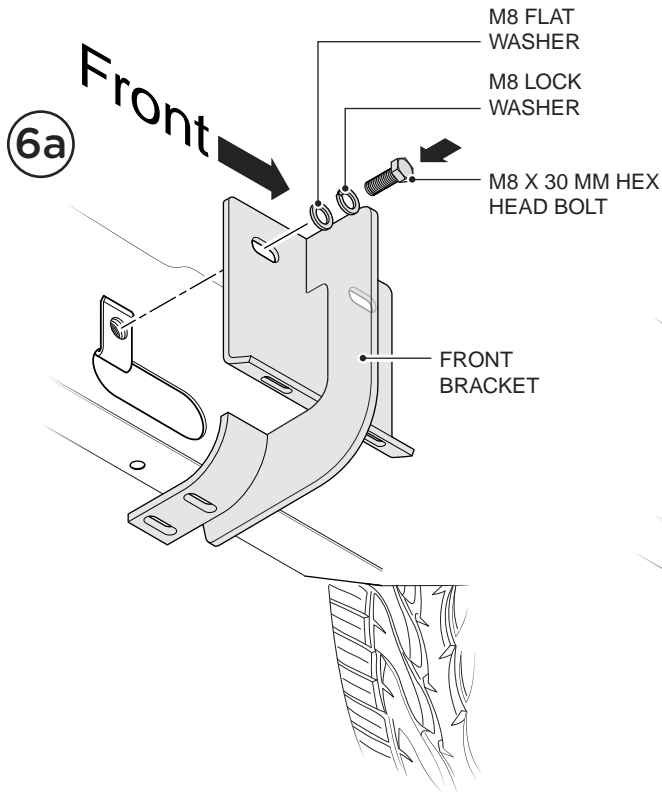
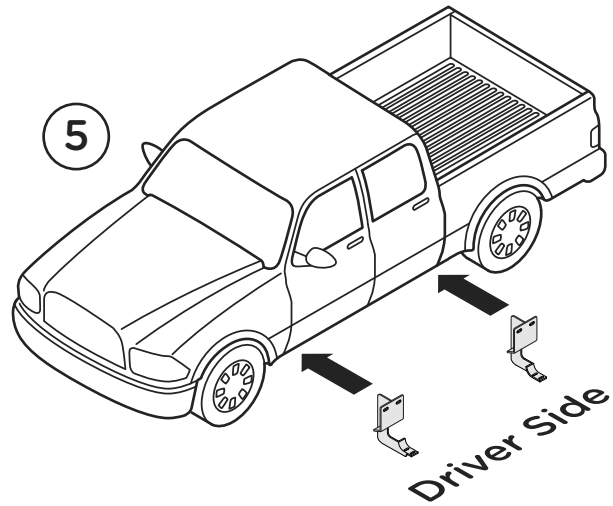
3. Existing mounting holes are located on the interior wall of the rocker panel. These mounting holes will be used per the following instruction.

4. On the vertical wall of each rocker panel, install the U Nut Clips as shown for the rear driver side bracket. Install these U Nut Clips so that the threads are to the inside of the rocker panel. Be careful not to drop the U Nut Clip inside of the rocker panel.

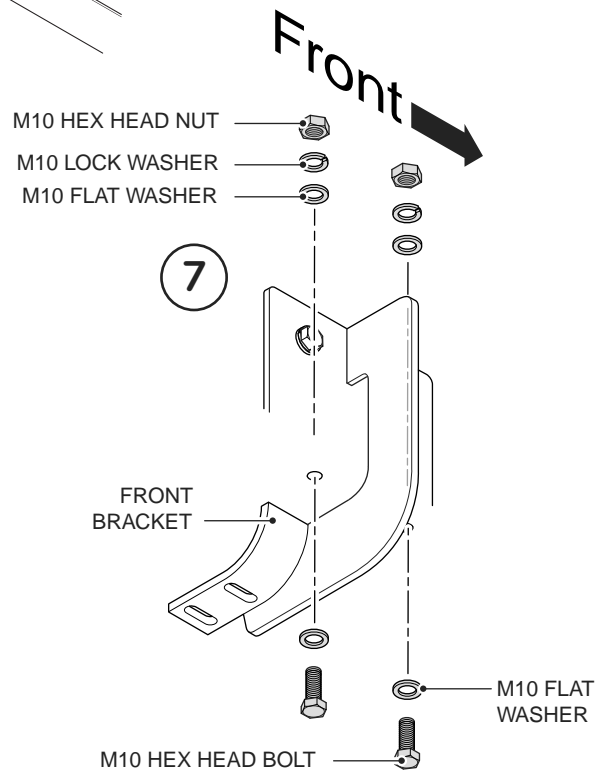


5. On the Driver side of the vehicle, align the Front and Rear Brackets as shown.

6. Install the Top Flange of the Front and Rear Bracket by fastening one (1) M8 x 30MM Hex Head Bolt, one (1) M8 Flat Washers and one (1) M8 Lock Washers into the M8 U Nut Clips.



7. Complete the installation of the Front & Rear Brackets using two (2) M10 Hex Head Nuts, four (4) M10 Flat Washers, two (2) M10 Lock Washers, and two (2) M10 Hex Head Bolts per bracket. Hand tighten all hardware.



8. Place the Rubber Gaskets onto the Brackets. Then, place the Step Bar onto the Brackets. Each Step Bar is marked Driver and Passenger.

9. Attach the Step Bar to each Bracket using two (2) M10 x 30MM Button Head Bolts, two (2) M10 Lock Washers and two (2) M10 Flat Washers per bracket.

Tighten until the split lock washer is at against bracket and snug. DO NOT over tighten and strip the threaded insert in the tube. Repeat these steps for passenger side installation. When all hardware is in place, everything must be tightened. See Page 1 for Torque Specifications.

See Torque Specifications on page 1.

