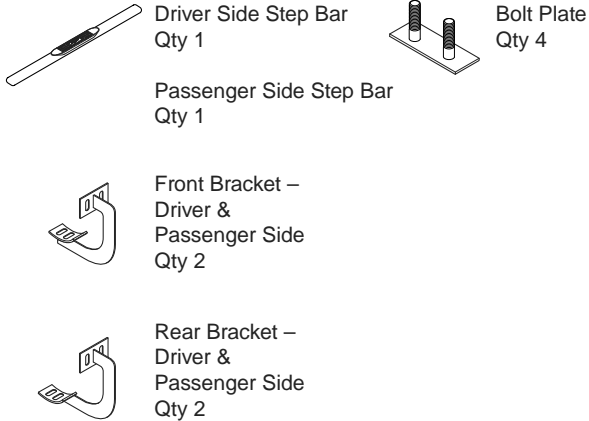


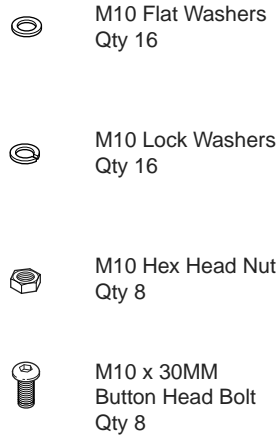
430150,430159

4" OVAL BAR

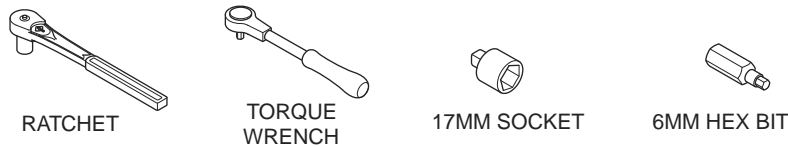
Components:



Hardware:



Tools Required:



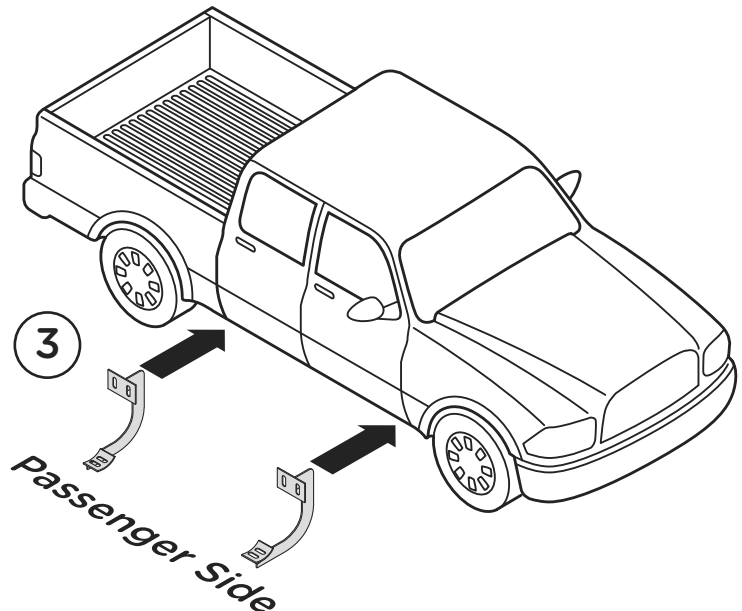
Torque Specifications:

For Rocker Panel Mount Installations
M8 through M12 bolts and nuts are set to 15-20 ft lbs.

Note: When installing the brackets and bars, all hardware must be left loose until all the items are attached.

1. Remove contents from box and check for damage. Verify all the parts from the list above are present and accounted for. Please read instructions completely before starting.

2. Begin installation on passenger side. Position passenger side Front Bracket and Rear Bracket as shown along passenger side.



4. Remove the existing Rubber Plugs from the Rocker Panel. Install the Bolt Plate through the opening in the Rocker Panel.

5. Fasten the Passenger Side Front and Rear Brackets to the threaded studs on the Bolt Plate by using two (2) M10 Flat Washers, two (2) M10 Lock Washers and two (2) M10 Hex Head Nuts.

6. Place the Rubber Gaskets onto the Brackets. Then, place the Step Bar onto the Brackets and attach by using two (2) M10 x 30MM Button Head Bolts, two (2) M10 Lock Washers and two (2) M10 Flat Washers per bracket. (6a, 6b)

7. Repeat these steps for driver side installation. When all hardware is in place, everything must be tightened. See Page 1 for Torque Specifications.

