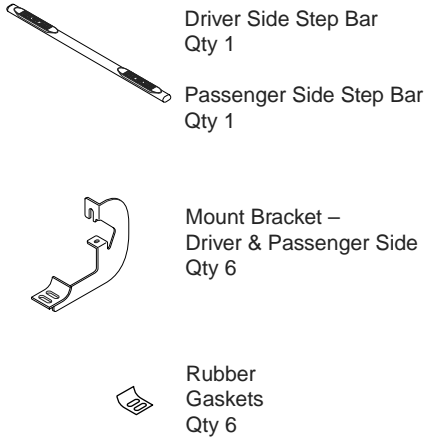
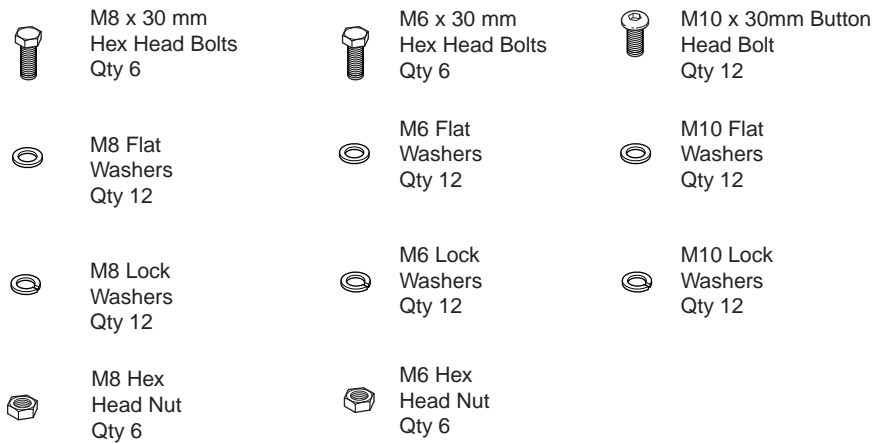


4" OVAL BAR

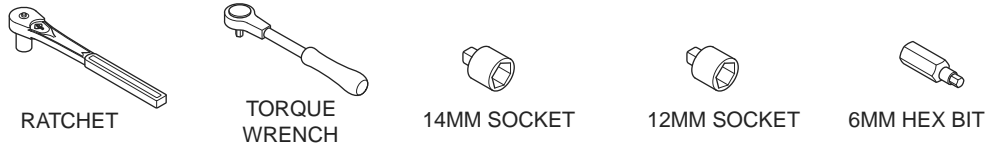
Components:



Hardware:



Tools Required:

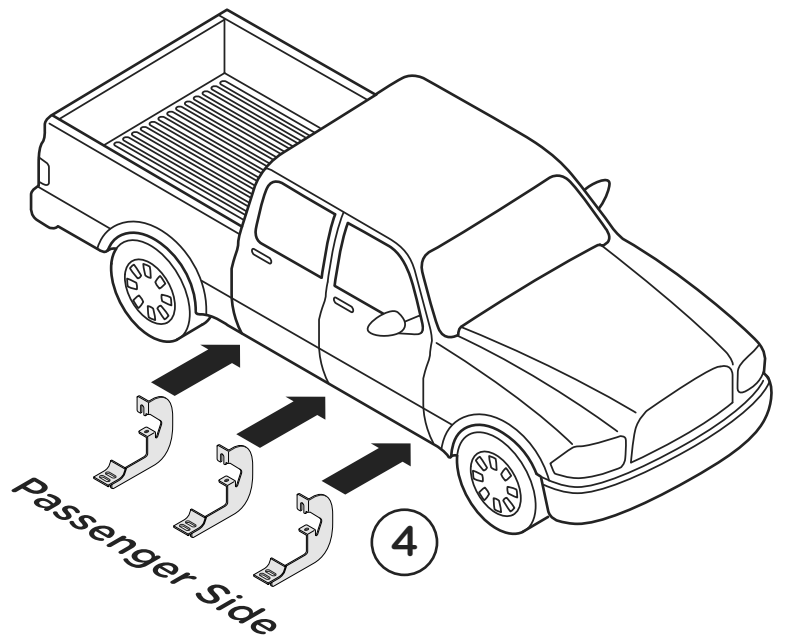


Torque Specifications:

For Rocker Panel Mount Installations
M8 through M12 bolts and nuts are set to 15-20 ft lbs.

Note: When installing the brackets and bars, all hardware must be left loose until all the items are attached.

1. Remove all contents from the package and check stainless steel tubes for any damage. Also, verify that all components and hardware listed above are included before you begin installation.
2. Read installation manual and installation drawing completely. Understand all brackets and bolts before installation.
3. Existing mounting holes are located on the interior wall of the rocker panel. These mounting holes will be used per the following instruction.
4. On passenger side of vehicle, align Front, Center and Rear Brackets as shown.



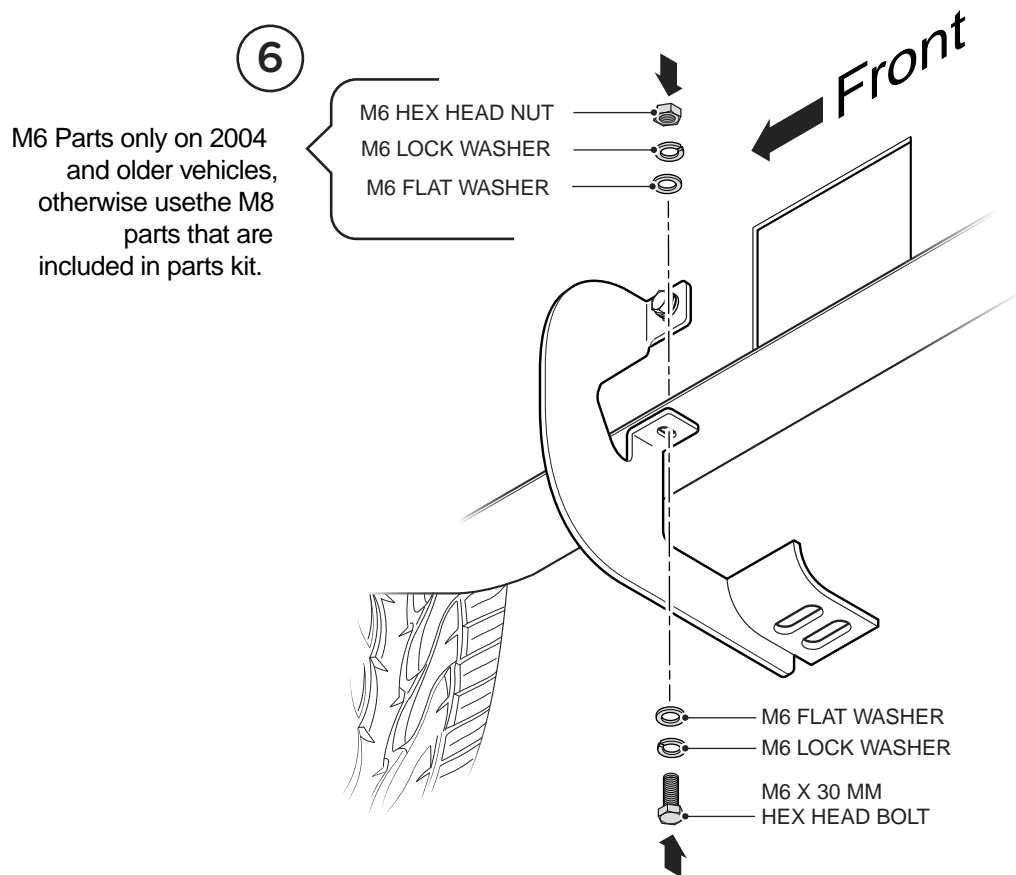
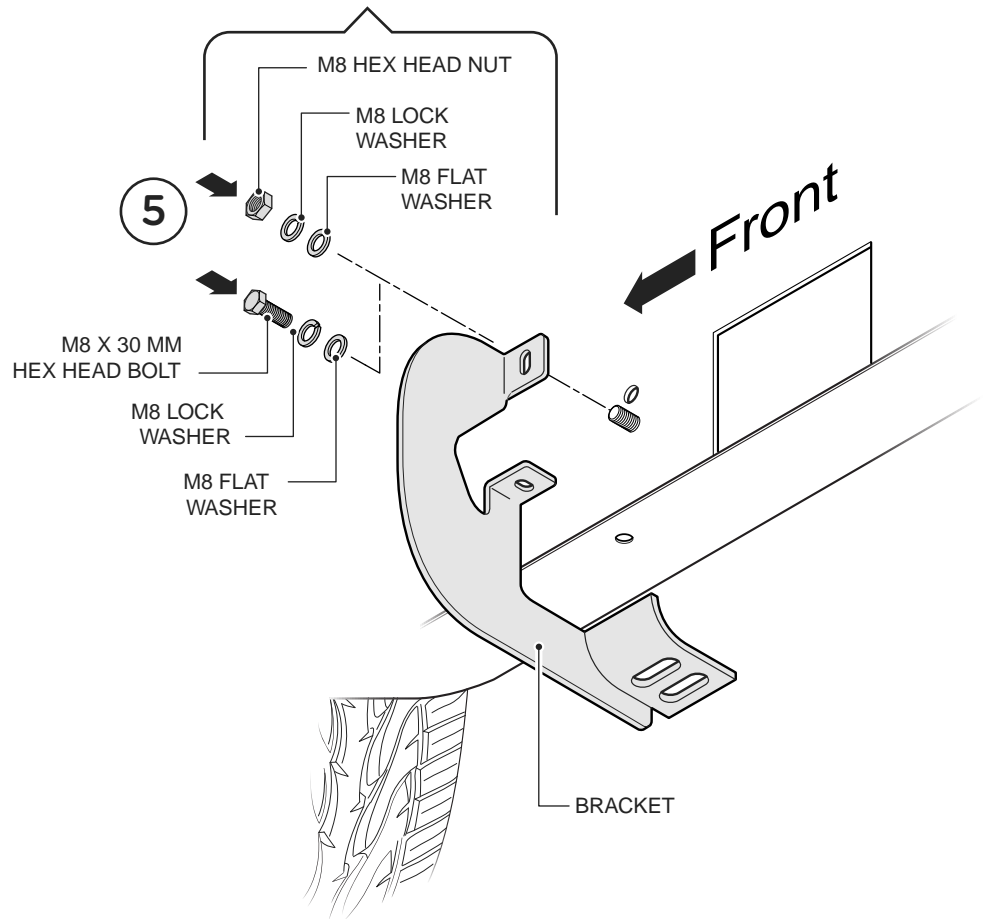
5. Install Top Flange of passenger side Bracket by fastening one (1) M8 x 30 mm Hex Head Bolt, one (1) M8 Flat Washer and one (1) M8 Lock Washer into hole located on the wall of rocker panel.

For Front & Rear brackets only on 2005 & newer vehicles fasten one (1) 8M Hex Head Nut, one (1) M8 Flat Washer and one (1) M8 Lock Washer onto threaded stud.

6. Complete installation of Bracket by fastening one (1) M6 x 30 mm Hex Head Bolt, two (2) M6 Flat Washers, two (2) M6 Lock Washers and one (1) M6 Hex Head Nut into hole of on Bottom Flange of Bracket.

Hand tighten all hardware. Repeat steps 5 and 6 for for two (2) remaining passenger side Brackets.

Front & Rear brackets only on 2005 & newer vehicles.



7. Place Step Bar and three (3) Rubber Gaskets onto Brackets. Each Step Bar is marked Driver and Passenger.

8. Install Step Bar and Rubber Gasket onto each Bracket and attach using two (2) M10 X 30mm Button Head Bolts, two (2) M10 Lock Washers and two (2) M10 Flat Washers per bracket.

Tighten until the split lock washer is at against bracket and snug. DO NOT over tighten and strip the threaded insert in the tube.

Repeat these steps for passenger side installation. When all hardware is in place, everything must be tightened. See Page 1 for Torque Specifications.

