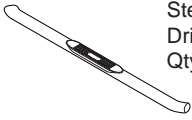


340300, 340309

3" ROUND TUBE

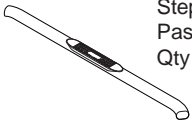
Components:



Step Bar -
Driver Side
Qty 1



Passenger
Side Brackets
Qty 3



Step Bar -
Passenger Side
Qty 1



Rubber
Gasket
Qty 6



Driver Side
Brackets
Qty 3

Hardware:



M8 x 30MM
Hex Head Bolt
Qty 10



M10 x 30MM
Button Head Bolt
Qty 12



M8 Lock
Washer
Qty 10



M10 Lock
Washer
Qty 12



M8 Flat
Washer
Qty 10

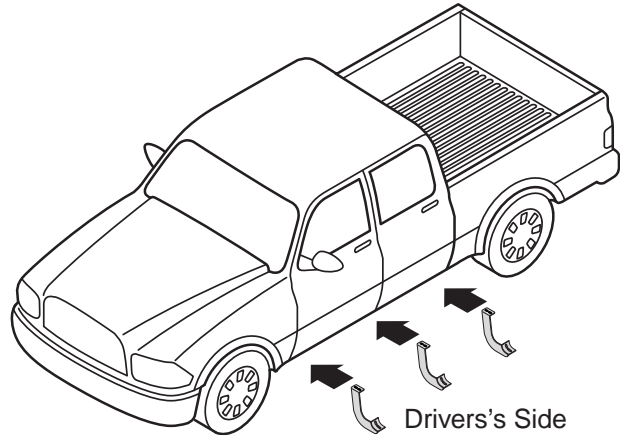


M10 Flat
Washer
Qty 12

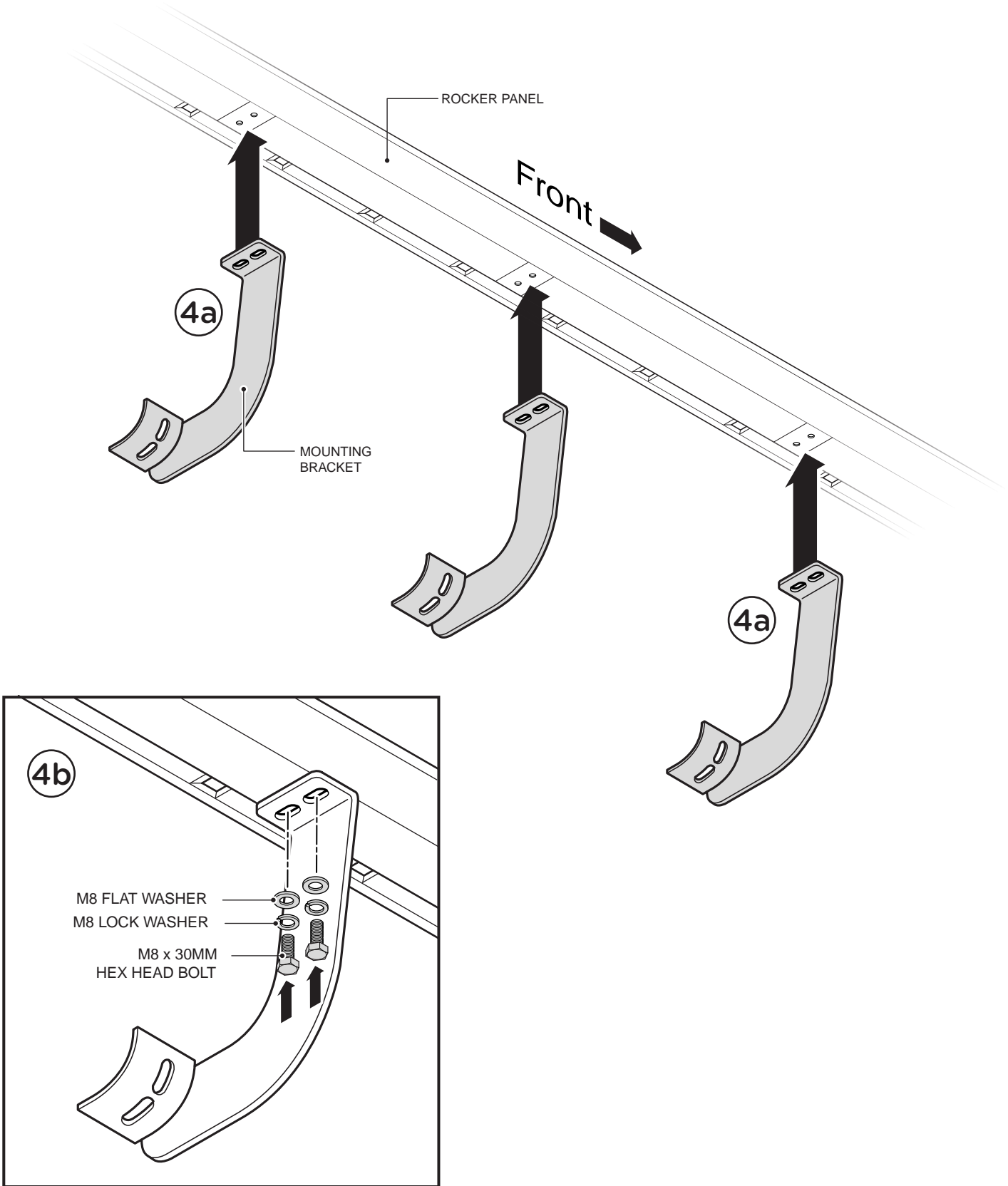
1. Remove all contents from the package and check stainless steel tubes for any damage. Also, verify that all components and hardware listed above are included before you begin installation.

2. Read installation manual and installation drawing completely. Understand all brackets and bolts before installation.

3. Begin installation on the driver's side.



4. Align the Mounting Brackets with the two (2) holes located on the Rocker panel and secure each bracket by using two (2) M8 x 30MM Hex Head Bolts, two (2) M8 Lock Washers and two (2) M8 Flat Washers.



5. Place the Rubber Gaskets onto each bracket. Next, place the Step Bar onto the Brackets and fasten using two (2) M10 x 30MM Button Head Bolts, two (2) M10 Lock Washers and two (2) M10 Flat Washers per bracket.

Repeat these steps for passenger side installation. When all hardware is in place, everything must be tightened. See Page 1 for Torque Specifications.

