



INSTALLATION INSTRUCTIONS

Thrasher Board

APPLICATION:

1999-2015 Ford F150 Super Duty Super Cab/ Super Duty Super Crew

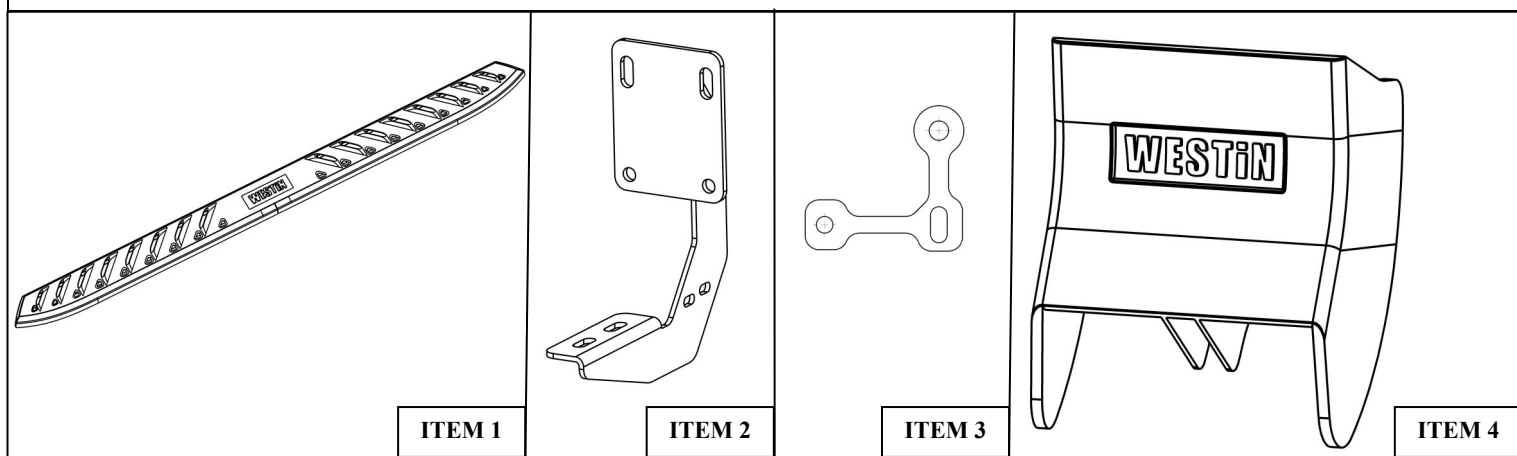
AUTOMOTIVE PRODUCTS,

PART NUMBER:

28-81105, 28-81115

CONTENT			
ITEM	QUANTITY	DESCRIPTION	TOOLS NEEDED
1	2	STEP BAR ASSEMBLY	RATCHET
2	6	MOUNTING BRACKET	TORQUE WRENCH
3	2	FRONT SPACER PLATE	10MM SOCKET
4	6	PLASTIC BRACKET COVER	13MM SOCKET
5	10	M8 EXTRUDED U-NUT (YELLOW ZINC)	
6	12	M6 HEX HEAD CAP SCREW (YELLOW ZINC)	
7	24	M6 FLAT WASHER (YELLOW ZINC)	
8	12	M6 NYLON LOCK NUT (YELLOW ZINC)	
9	24	M8 HEX NUT (BLACK ZINC)	
10	12	M8 BUTTON HEAD CAP SCREW (BLACK ZINC)	
11	24	M8 SPLIT LOCK WASHER (BLACK ZINC)	
12	36	M8 SMALL FLAT WASHER (BLACK ZINC)	
13	10	M8 HEX HEAD CAP SCREW (BLACK ZINC) SEMS HARDWARE	
14	10	M8 SPLIT LOCK WASHER (BLACK ZINC) SEMS HARDWARE	
15	10	M8 LARGE FLAT WASHER (BLACK ZINC) SEMS HARDWARE	
16	6	M8 BOLT PLATE (BLACK ZINC)	

ANTI-SEIZE LUBRICANT MUST BE USED ON ALL STAINLESS STEEL FASTENERS TO PREVENT THREAD DAMAGE AND GALLING



PROCEDURE

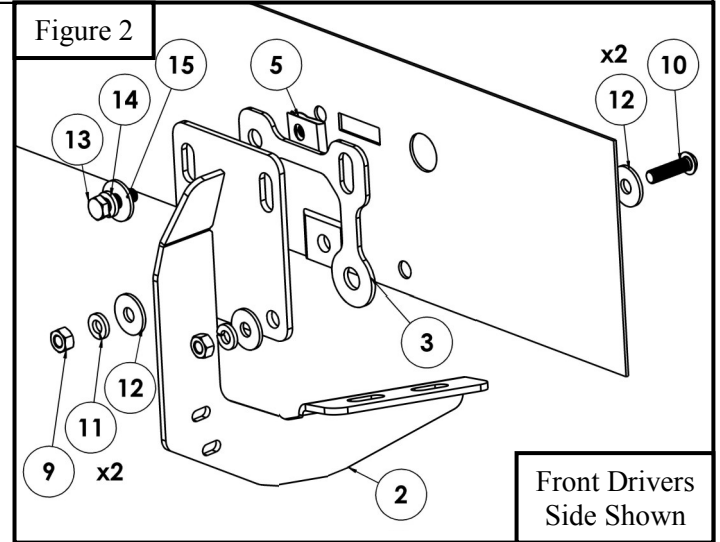
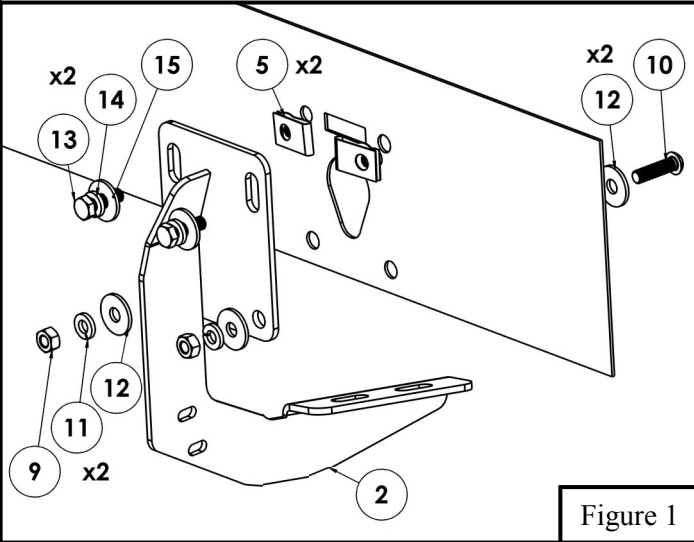
1. Remove contents from box, verify if all parts listed are present and free from damage.
Carefully read and understand all instructions before attempting installation.
Failure to identify damage before installation could lead to a rejection of any claim.



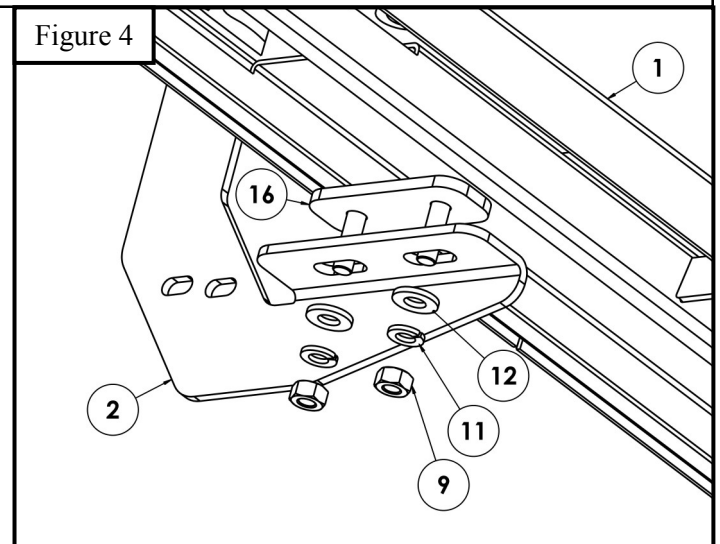
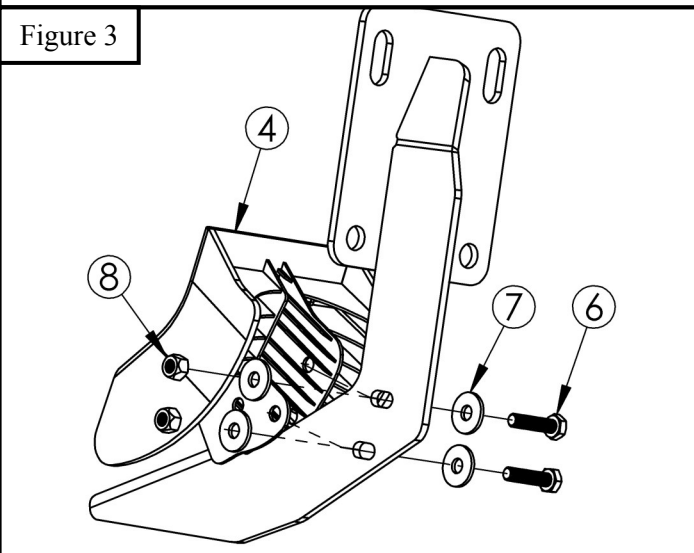
Westin Automotive Products, Inc.
320 W. Covina Blvd
San Dimas, Ca. 91773

Thank you for choosing Westin products
for additional installation assistance please call
Customer Service (800) 793-7846
www.westinautomotive.com

2. Start installation on driver's side. On the rocker panel find locations with open holes and insert in the top open holes (2) M8 nut clips (Item 5). **NOTE: ON SOME VEHICLES THE MOUNTING HOLES DO NOT LINE UP FROM THE FACTORY IF THIS IS THE CASE DRILL OUT THE HOLES USING A 7/16" DRILL BIT**
3. Then loosely install SEMS hardware to previously installed Nut Clip; (2) M8 hex head bolts, (2) M8 flat washers, (2) M8 split lock washers. For installing to bottom open holes of the rocker panel, loosely install, (2) M8 button head bolts, (4) M8 flat washers, (2) M8 split lock washers, (2) M8 hex nuts. Repeat the same procedure for all other mounting locations. See **Figure 1**.
4. Note: For 2010– up model years place (1) front mounting bracket spacer (Item 3) in between the rocker panel and the front mounting bracket before installing. See **Figure 2**

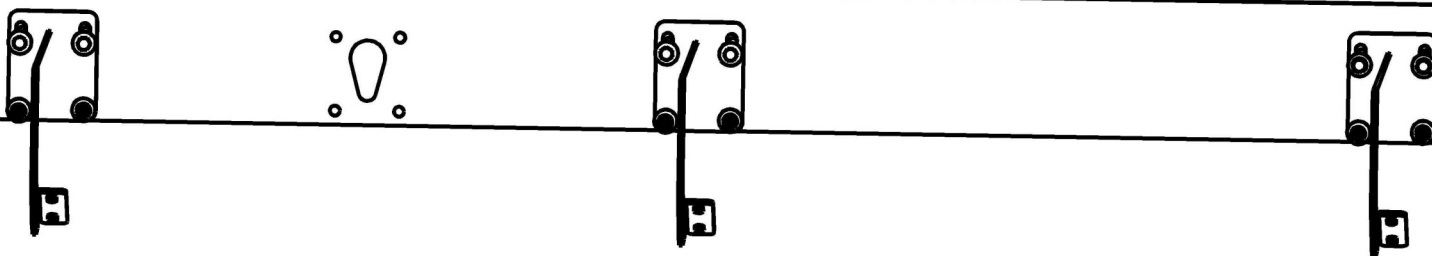


4. Locate (1) Plastic Bracket Cover (Item 4) and loosely secure it to the (6) brackets using the provided hardware: (2) M6 hex head bolt, (4) M6 flat washer, and (2) M6 nylon lock nut. Repeat for every bracket. See **Figure 3**.
5. For Step Board installation to the previously installed mounting brackets use the supplied M8 bolt plates and M8 hardware. Slide bolt plate into the board rail located underneath the step board, then loosely install with M8 hardware. See **Figure 4**.
6. Align step bar and brackets to desired positioning then torque and tighten all: M8 hardware to 20 ft-lbs and M6 hardware to 12 ft-lbs.



7. Below are Figures representing the orientation and positioning of the brackets for Crew Cab and Ext. Cab trucks. See Figure 5 and 6

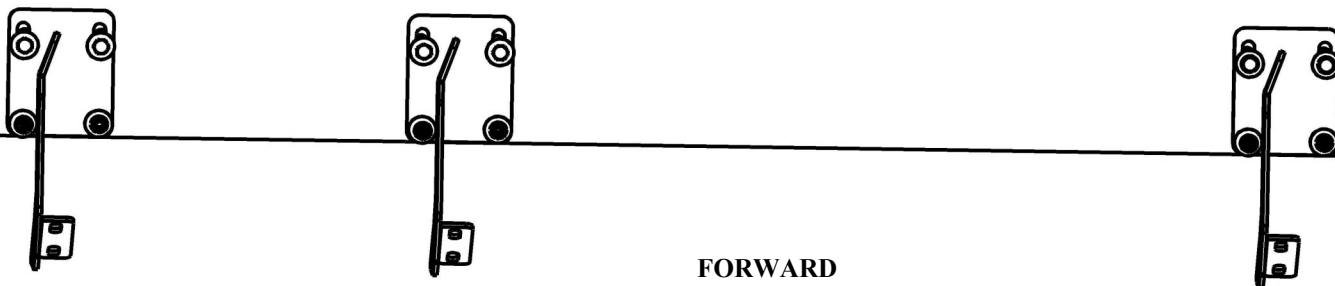
Figure 5



Driver Side
Crew Cab

FORWARD

Figure 6



Driver Side
Ext Cab

FORWARD



Westin Automotive Products, Inc.
320 W. Covina Blvd
San Dimas, Ca. 91773

Thank you for choosing Westin products
for additional installation assistance please call
Customer Service (800) 793-7846

www.westinautomotive.com

INSTALLATION COMPLETED



SuperCab

Care Instructions

- REGULAR WAXING IS RECOMMENDED. DO NOT USE ANY TYPE OF POLISH OR WAX THAT MAY CONTAIN ABRASIVES.
- STAINLESS STEEL PRODUCTS CAN BE CLEANED WITH MILD SOAP AND WATER. STAINLESS STEEL POLISH SHOULD BE USED TO POLISH SMALL SCRATCHES..
- GLOSS BLACK FINISHES SHOULD BE CLEANED WITH MILD SOAP AND WATER.



Westin Automotive Products, Inc.
320 W. Covina Blvd
San Dimas, Ca. 91773

Thank you for choosing Westin products
for additional installation assistance please call
Customer Service (800) 793-7846

www.westinautomotive.com

Westin

SIGNATURE OF QUALITY

AUTOMOTIVE PRODUCTS, INC.



WARNING



Failure to follow these instructions could lead to death, personal injury, and / or property damage.

FASTENERS:

All Westin supplied fasteners must be utilized and installed in accordance with the installation instructions and apply torque to the specifications as defined. **DOUBLE CHECK ALL FASTENERS BEFORE INITIAL USE, AND PERIODICALLY IN THE FUTURE TO ENSURE PROPER FUNCTION AND SAFETY.**

DRILLING:

Most Westin products do not require drilling for installation. If drilling is defined as required, use caution when drilling a vehicle. **FAILURE TO REVIEW AN AREA TO BE DRILLED MAY RESULT IN PERSONAL INJURY AND/OR INJURY TO OTHERS AS WELL AS VEHICLE DAMAGE.**

EYE PROTECTION:

ALWAYS WEAR SAFETY GLASSES OR GOGGLES DURING THE INSTALLATION PROCESS TO AVOID PERSONAL INJURY.

MAXIMUM TOWING/CARRYING CAPACITY:

The Westin Receiver Hitches will have a visible tow rating label affixed directly on the product. User should never exceed the vehicle manufacturers maximum tow and weight rating regardless of the capacity of the hitch. **FAILURE TO FOLLOW THESE GUIDELINES WILL VOID THE WESTIN WARRANTY AND MAY RESULT IN PERSONAL INJURY AND/OR INJURY TO OTHERS AS WELL AS VEHICLE DAMAGE.**

Westin
SIGNATURE OF QUALITY

Westin Automotive Products, Inc.
320 W. Covina Blvd
San Dimas, Ca. 91773