



AUTOMOTIVE PRODUCTS,

# INSTALLATION INSTRUCTIONS

Pro-Traxx 5 WTW

## APPLICATION:

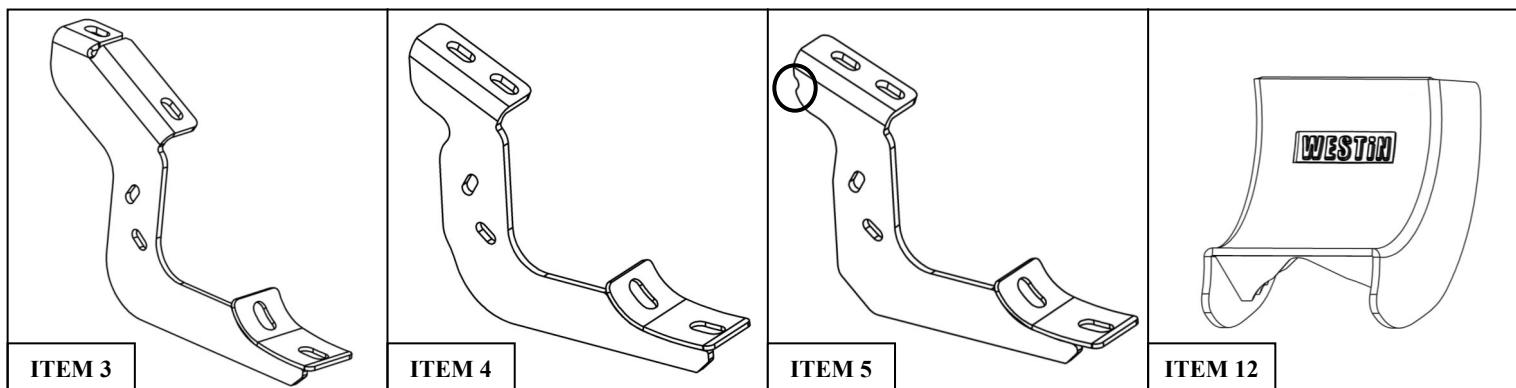
2007-2017 Toyota Tundra D-Cab 6.5 ft. Bed

## PART NUMBER:

21-534170, 21-534175

ITEM	QUANTITY	DESCRIPTION	TOOLS NEEDED
1,2	2	STEP BAR ASSEMBLY, DRIVER (1) AND PASSENGER (2)	13MM SOCKET
3	2	FRONT MOUNTING BRACKET	HEX KEY
4	2	MIDDLE MOUNTING BRACKET	RATCHET
5	2	REAR MOUNTING BRACKET	TORQUE WRENCH
6	12	M8 HEX HEAD CAP SCREW (YELLOW ZINC)	
7	12	M8 FLAT WASHER (YELLOW ZINC)	
8	12	M8 SPRING LOCK WASHER (YELLOW ZINC)	
9	12	M10 HEX BUTTON HEAD SOCKET CAP SCREW (BLACK ZINC)	
10	12	M10 FLAT WASHER (BLACK ZINC)	
11	12	M10 INTERNAL TOOTHED LOCK WASHER (BLACK ZINC)	
12	6	PLASTIC BRACKET COVER	
13	12	M6 HEX HEAD CAP SCREW (YELLOW ZINC)	
14	24	M6 FLAT WASHER (YELLOW ZINC)	
15	12	M6 NYLOCK NUT (YELLOW ZINC)	

**ANTI-SEIZE LUBRICANT MUST BE USED ON ALL STAINLESS STEEL FASTENERS TO PREVENT THREAD DAMAGE AND GALLING**



## PROCEDURE

1. Remove contents from box, verify if all parts listed are present and free from damage. Carefully read and understand all instructions before attempting installation.  
**Failure to identify damage before installation could lead to a rejection of any claim.**
2. Start installation on the driver's side. On the rocker panel, find locations of factory bolts. Remove factory hardware and discard. **Note:** Brackets will be installed in these locations with provided hardware. See **Figures 1 & 2**.
3. Locate Front, Middle, and Rear Mounting Brackets (Items 3, 4, 5). Using the supplied M8 hardware, loosely install the brackets to the rocker panel. See **Figures 3, 4, & 5**. **Note:** Item 5 has a notch to differentiate from Item 4. See image



Westin Automotive Products, Inc.  
320 W. Covina Blvd  
San Dimas, Ca. 91773

Thank you for choosing Westin products  
for additional installation assistance please call  
Customer Service (800) 793-7846

Location for Item 3

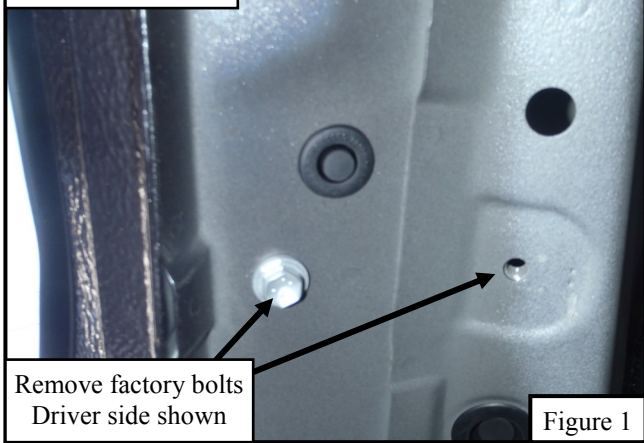


Figure 1

Location for Item 4 & 5

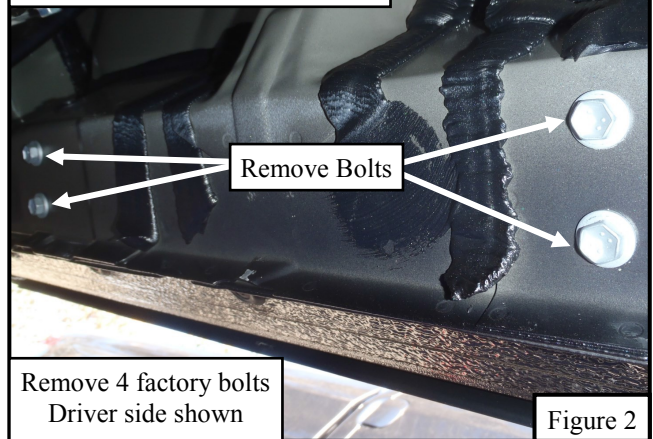


Figure 2

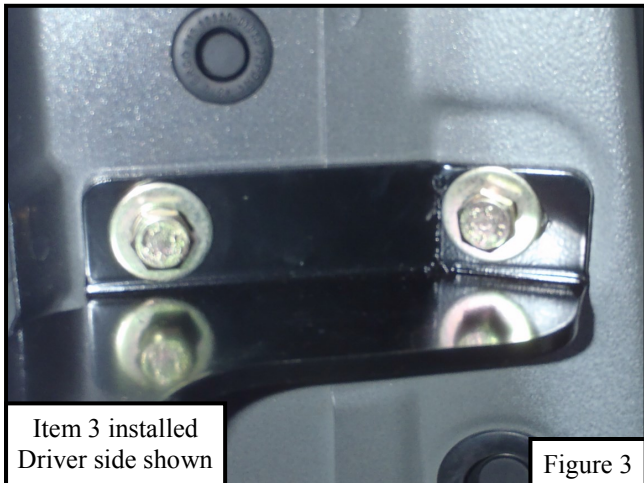


Figure 3

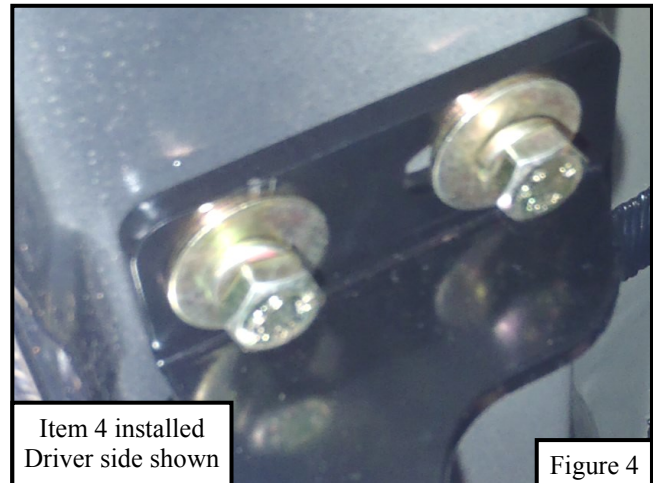


Figure 4

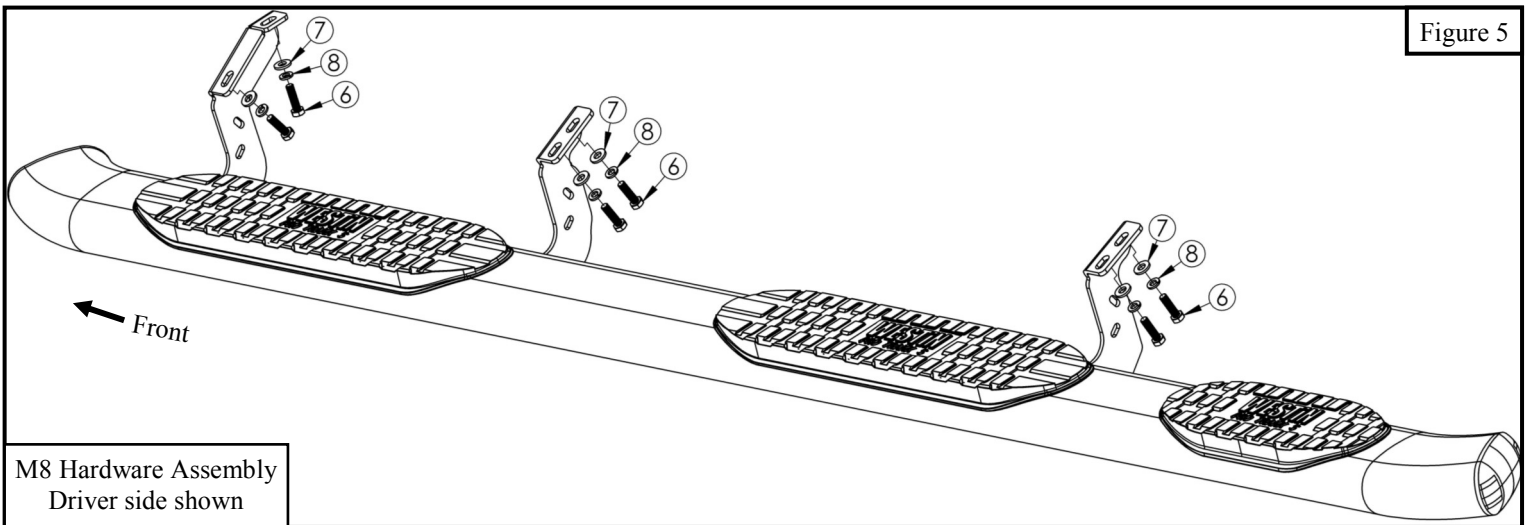


Figure 5

4. Locate (1) plastic bracket cover (Item 12) and loosely secure it to the (6) brackets using the provided hardware: (2) M6 hex head cap screws, (4) M6 flat washers, and (2) M6 nylon nuts. Repeat for every bracket. See **Figure 6**.
5. Locate the Driver Step Bar Assembly (Item 1) and align it with the brackets. See **Figure 7**.
6. Loosely install the Driver Step Bar Assembly using supplied M10 hardware. See **Figure 8**.

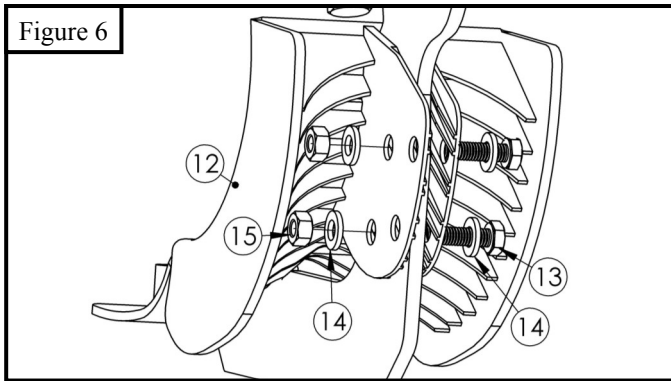


Figure 6

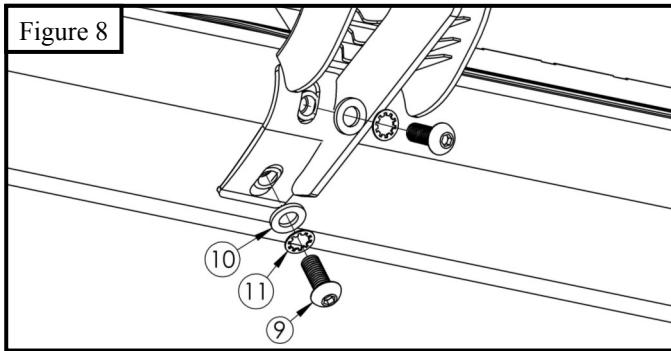
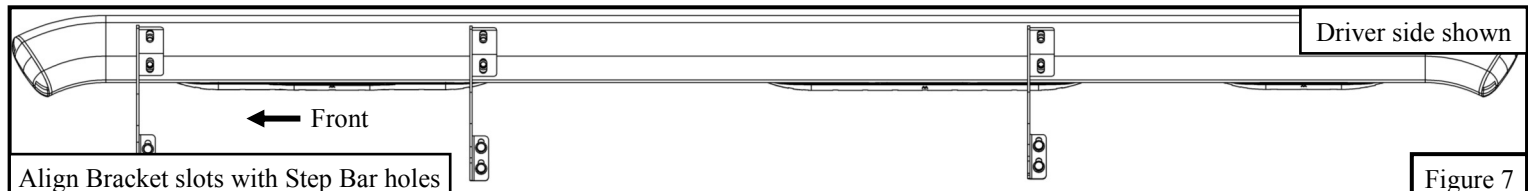


Figure 8

7. Align and adjust the step bar and brackets as necessary then tighten and torque all fasteners as follows: M8 to 20 ft-lbs, M10 30 ft-lbs, and M6 to 5-7 ft-lbs.
8. Repeat for the passenger side.



- CARE INSTRUCTIONS**
- REGULAR WAXING IS RECOMMENDED. DO NOT USE ANY TYPE OF POLISH OR WAX THAT MAY CONTAIN ABRASIVES.
  - STAINLESS STEEL PRODUCTS CAN BE CLEANED WITH MILD SOAP AND WATER. STAINLESS STEEL POLISH SHOULD BE USED TO POLISH SMALL SCRATCHES.
  - GLOSS BLACK FINISHES SHOULD BE CLEANED WITH MILD SOAP AND WATER.



Westin Automotive Products, Inc.  
 320 W. Covina Blvd  
 San Dimas, Ca. 91773

Thank you for choosing Westin products  
 for additional installation assistance please call  
 Customer Service (800) 793-7846  
 www.westinautomotive.com

# Westin

SIGNATURE OF QUALITY

AUTOMOTIVE PRODUCTS, INC.



## WARNING



Failure to follow these instructions could lead to death, personal injury, and / or property damage.

### FASTENERS:

All Westin supplied fasteners must be utilized and installed in accordance with the installation instructions and apply torque to the specifications as defined. **DOUBLE CHECK ALL FASTENERS BEFORE INITIAL USE, AND PERIODICALLY IN THE FUTURE TO ENSURE PROPER FUNCTION AND SAFETY.**

### DRILLING:

Most Westin products do not require drilling for installation. If drilling is defined as required, use caution when drilling a vehicle. **FAILURE TO REVIEW AN AREA TO BE DRILLED MAY RESULT IN PERSONAL INJURY AND/OR INJURY TO OTHERS AS WELL AS VEHICLE DAMAGE.**

### EYE PROTECTION:

**ALWAYS WEAR SAFETY GLASSES OR GOGGLES DURING THE INSTALLATION PROCESS TO AVOID PERSONAL INJURY.**

### MAXIMUM TOWING/CARRYING CAPACITY:

The Westin Receiver Hitches will have a visible tow rating label affixed directly on the product. User should never exceed the vehicle manufacturers maximum tow and weight rating regardless of the capacity of the hitch. **FAILURE TO FOLLOW THESE GUIDELINES WILL VOID THE WESTIN WARRANTY AND MAY RESULT IN PERSONAL INJURY AND/OR INJURY TO OTHERS AS WELL AS VEHICLE DAMAGE.**

**Westin**  
SIGNATURE OF QUALITY

Westin Automotive Products, Inc.  
320 W. Covina Blvd  
San Dimas, Ca. 91773