



SIGNATURE OF QUALITY

AUTOMOTIVE PRODUCTS, INC.

INSTALLATION INSTRUCTIONS

SIGNATURE & PLATINUM SERIES STEP BARS

APPLICATION: 2014+ CHEVROLET SILVERADO / GMC SIERRA, 1500 DOUBLE & CREW CAB
2015+ CHEVROLET SILVERADO / GMC SIERRA, 2500HD/3500HD DOUBLT & CREW CAB

Part Number: 25-3810/15, 25-3820/25 & 26-3810, 26-3820
25-3850/55, 25-3860/65 & 26-3850, 26-3860

ITEM	QUANTITY	DESCRIPTION	TOOLS NEEDED
1	1	DRIVER SIDE STEP BAR	RATCHET
2	1	PASSENGER SIDE STEP BAR	3/4" SOCKET
3	2	FRONT MOUNTING BRACKET	21MM SOCKET
4	1	DRIVER SIDE CENTER MOUNTING BRACKET	5MM HEX KEY
5	1	PASSENGER SIDE CENTER MOUNTING BRACKET	
6	2	REAR MOUNTING BRACKET	TORQUE WRENCH
7	4	1/2" X 2" HEX CAP SCREW	
8	4	1/2" SPLIT LOCK WASHER	
9	4	1/2" FLAT WASHER	
10	4	3/8" x 1" BUTTON HEAD CAP SCREW	
11	4	3/8" INTERNAL TOOTHED LOCK WASHER	

ANTI-SEIZE LUBRICANT MUST BE USED ON ALL STAINLESS STEEL FASTENERS TO PREVENT THREAD DAMAGE AND GALLING

1. Remove contents from box, verify if all parts listed are present and free from damage. Carefully read and understand all instructions before attempting installation.
2. Start installation at the driver side. Locate the front cab mount. Remove the M14 body mount bolt from the cab mount. Install the front mounting bracket with the factory washer on the top side of the bracket. Do not fully tighten at this time. FIGURE 2
3. Repeat step 2 for the driver side center mounting bracket & the rear mounting bracket. Do not interchange the body mount bolts. They are sized specifically to each location.
4. Attach the driver side step bar assembly to the front mounting bracket using one of the provided 1/2" hex cap screws, one 1/2" split lock washer, and one 1/2" flat washer. Repeat the same for the rear mount.
5. The center mounting bracket is attached to the step bar using two of the provided 3/8" button head screws, then two lock washers.
6. Align the step bar as desired. The slots in the mounting brackets allow in & out adjustment.
7. The recommended torque values for each fastener type are as follows. M14 body mount bolts to 80-90 ft-lbs, 1/2" fasteners to 55-65 ft-lbs, and the 3/8" fasteners to 25-30 ft-lbs.

CARE INSTRUCTIONS

- REGULAR WAXING IS RECOMMENDED. DO NOT USE ANY TYPE OF POLISH OR WAX THAT MAY CONTAIN ABRASIVES
- STAINLESS STEEL PRODUCTS CAN BE CLEANED WITH MILD SOAP AND WATER. STAINLESS STEEL POLISH SHOULD BE USED TO POLISH SMALL SCRATCHES.
- GLOSS BLACK FINISHES SHOULD BE CLEANED WITH MILD SOAP AND WATER



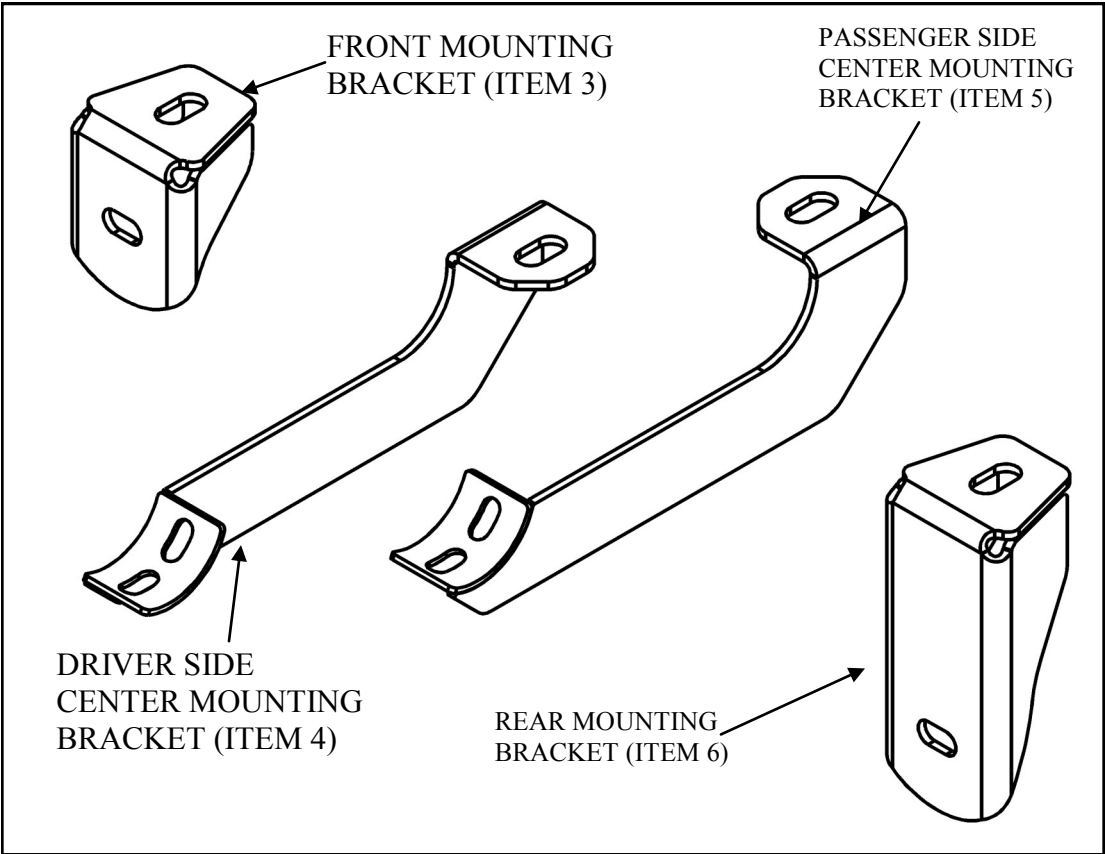
Westin Automotive Products, Inc.
320 Covina Blvd
San Dimas, Ca. 91773

Thank You for choosing Westin products
For Additional installation assistance please call
Customer service (800) 793-7846

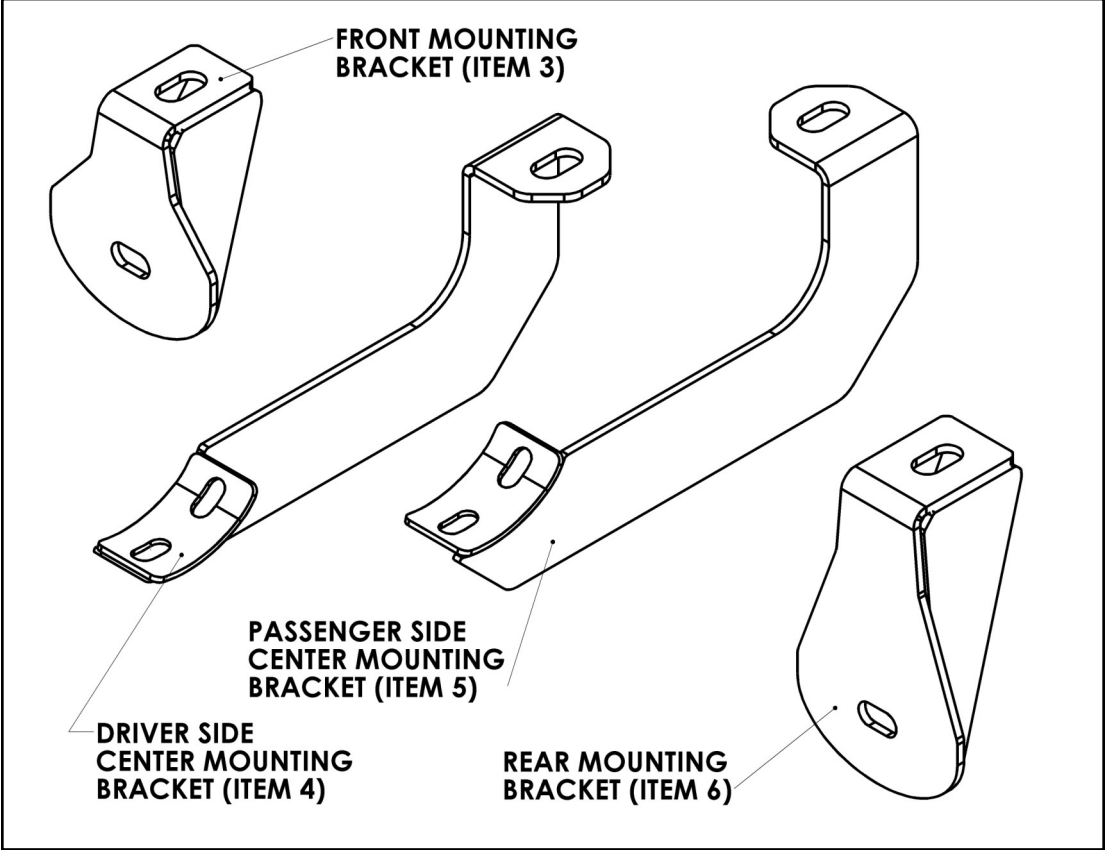
www.westinautomotive.com

DATE: 4/9/2014

1500 MODELS



2500HD/3500HD MODELS



Westin Automotive Products, Inc.
 320 Covina Blvd
 San Dimas, Ca. 91773

Thank You for choosing Westin products
 For Additional installation assistance please call
 Customer service (800) 793-7846
www.westinautomotive.com

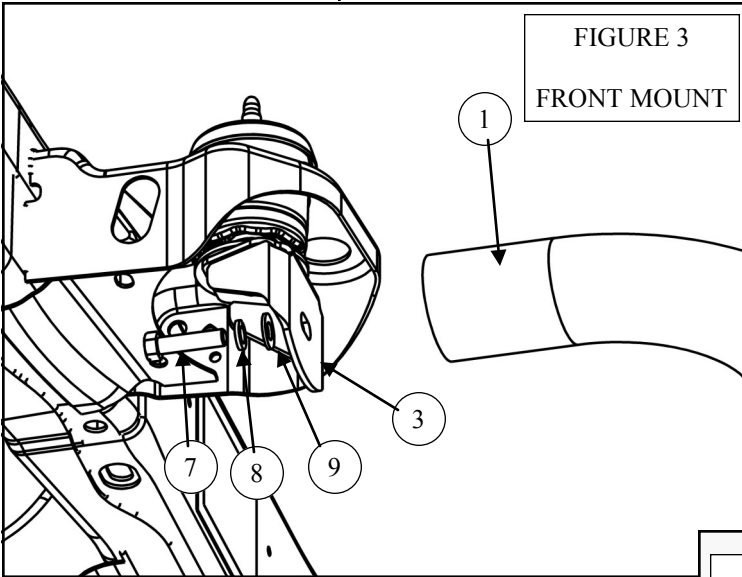
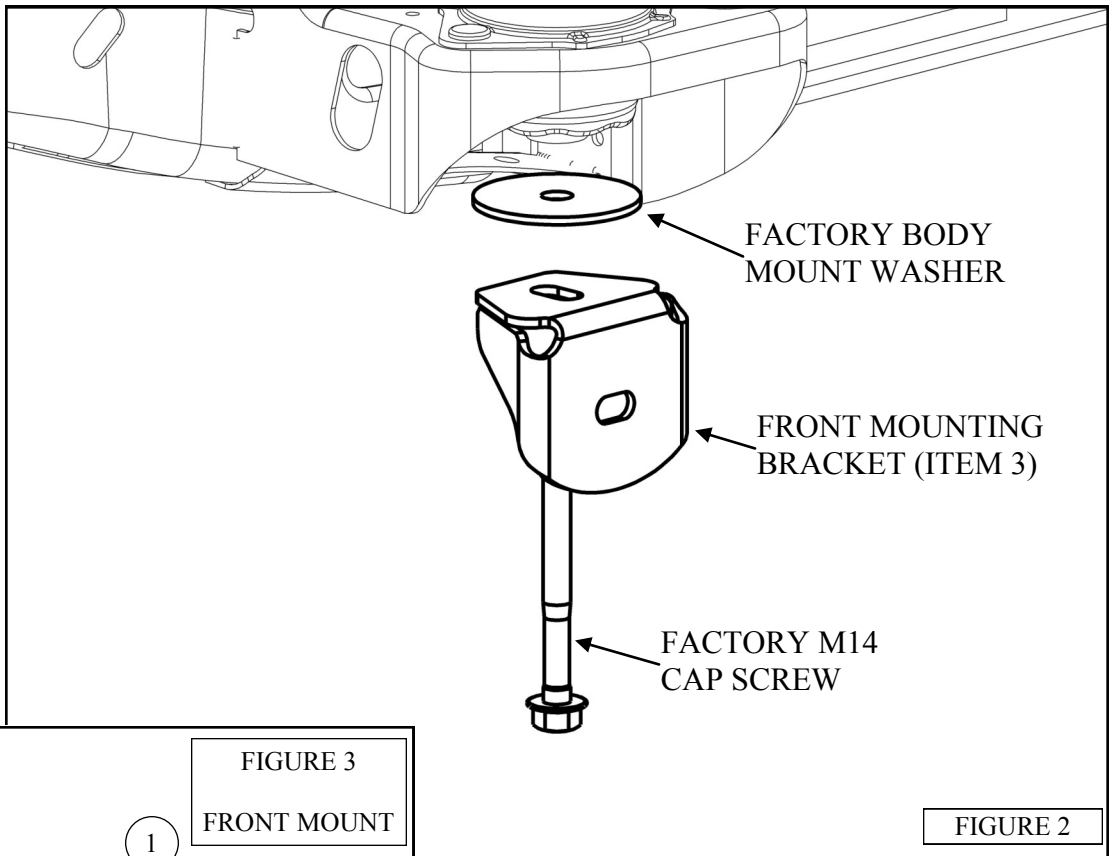
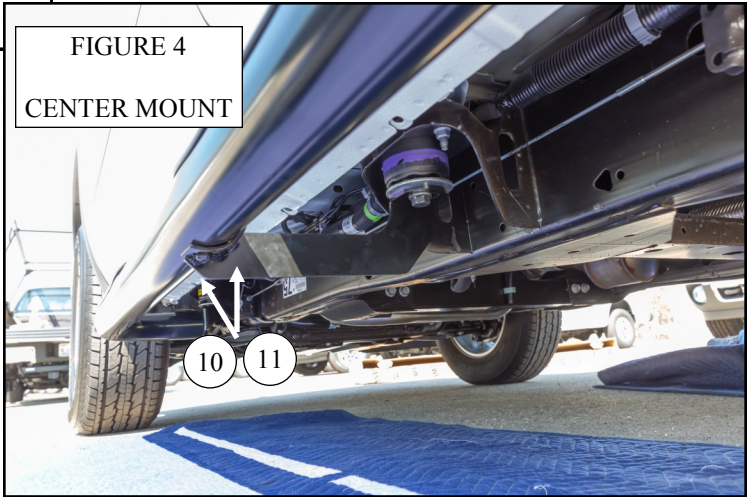
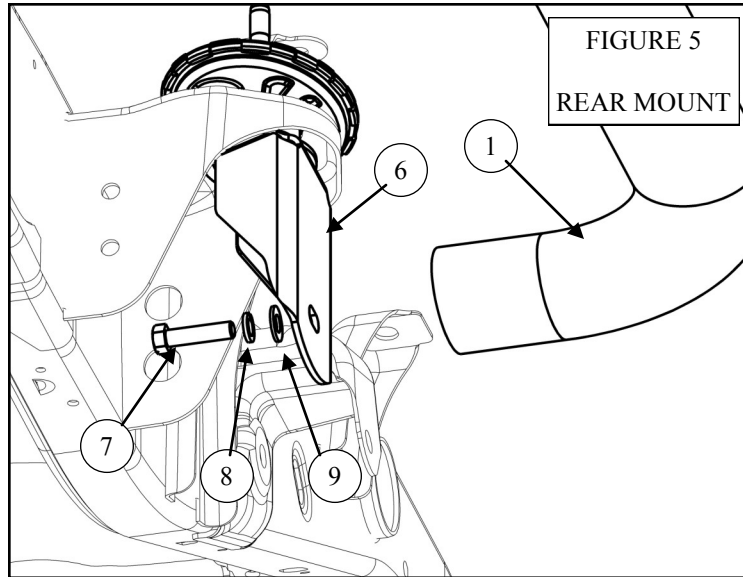


FIGURE 2





Westin Automotive Products, Inc.
320 Covina Blvd
San Dimas, Ca. 91773

Thank You for choosing Westin products
For Additional installation assistance please call
Customer service (800) 793-7846
www.westinautomotive.com