



INSTALLATION INSTRUCTIONS

APPLICATION: 3" SIGNATURE & PLATINUM STEP BAR / 2015 & UP CHEVY COLORADO & GMC CANYON
APP PART #: 25-4000, 25-4005, 25-4010, 25-4015, 26-4000, 26-4010

AUTOMOTIVE PRODUCTS, INC.

ITEM	QUANTITY	DESCRIPTION	TOOLS NEEDED
1	1	DRIVER SIDE STEP BAR ASSEMBLY	RATCHET
2	1	PASSENGER SIDE STEP BAR ASSEMBLY	UTILITY KNIFE
3	1	DRIVER SIDE FRONT MOUNTING BRACKET	18MM SOCKET
4	1	PASSENGER SIDE FRONT MOUNTING BRACKET	15MM SOCKET
5	1	DRIVER SIDE REAR MOUNTING BRACKET	14MM SOCKET
6	1	PASSENGER SIDE REAR MOUNTING BRACKET	21MM SOCKET
7	2	FRONT SUPPORT STRAP	3/4 SOCKET
8	4	M8 BOLT PLATE	ALLEN WRENCH
9	4	1/2" HEX HEAD SCREW (YELLOW ZINC)	TORQUE WRENCH
10	4	1/2" FLAT WASHER 27MM OD (YELLOW ZINC)	SOCKET EXTENS.
11	4	1/2" SPLIT LOCK WASHER (YELLOW ZINC)	PRY TOOL
12	4	M8 U-CLIP NUT (YELLOW ZINC)	10MM SOCKET
13	4	M8 HEX NUT (YELLOW ZINC)	
14	10	M8 FLAT WASHER 24MM OD (YELLOW ZINC)	
15	12	M8 SPLIT LOCK WASHER (YELLOW ZINC)	
16	8	M8 HEX HEAD SCREW (YELLOW ZINC)	
17	2	M8 FLAT WASHER 16MM OD (YELLOW ZINC)	
18	4	M6 BUTTON HEAD SCREW (BLACK ZINC)	
19	8	M6 FLAT WASHER 18MM OD (BLACK ZINC)	
20	4	M6 SPLIT LOCK WASHER (BLACK ZINC)	
21	4	M6 HEX NUT (BLACK ZINC)	
22	2	3/8" BUTTON HEAD BOLT (STAINLESS), CREW CAB ONLY	
23	2	3/8" FLAT WASHER 20MM (STAINLESS), CREW CAB ONLY	
24	2	3/8" SPLIT LOCK WASHER (STAINLESS), CREW CAB ONLY	
25	2	ROUND SPACER	
26	2	MIDDLE SUPPORT STRAP, CREW CAB ONLY	
27	2	M14 HEX HEAD SCREW (YELLOW ZINC)	
28	4	M8 POLY RETAINER	

ANTI-SEIZE LUBRICANT MUST BE USED ON ALL STAINLESS STEEL FASTENERS TO PREVENT THREAD DAMAGE AND GALLING .

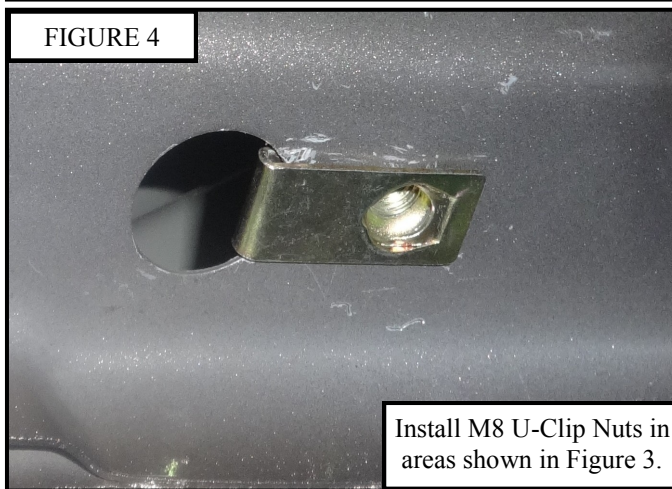
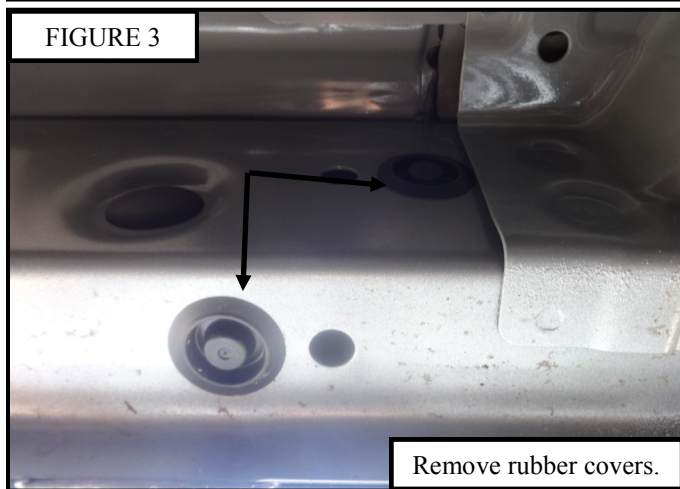
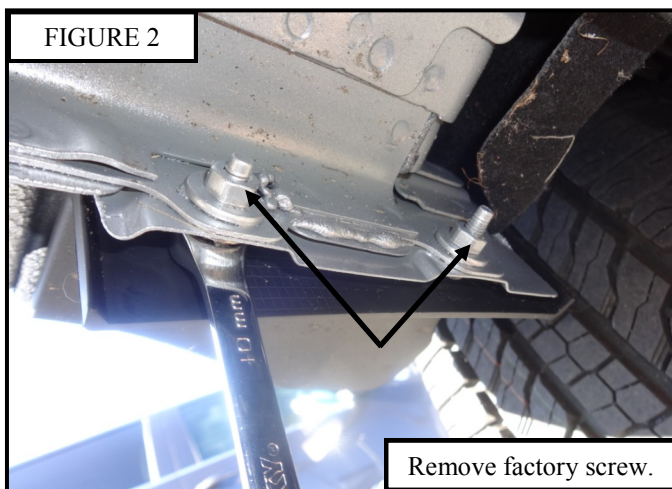
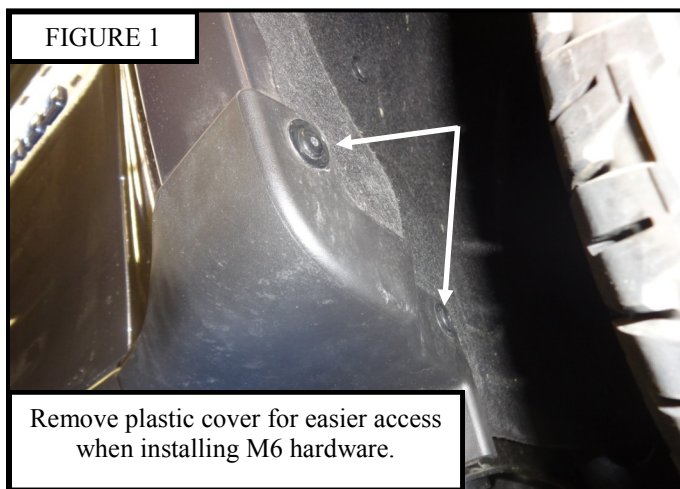
1. Remove contents from box, verify if all parts listed are present and undamaged. Carefully read and understand all instructions before attempting installation. **Failure to identify damage before installation could lead to a rejection of any claim.**
2. Remove plastic cover by front mud guard, see Figure 1.



Westin Automotive Products, Inc.
320 Covina Blvd
San Dimas, Ca. 91773

Thank you for choosing Westin products
for additional installation assistance please call
Customer Service (800) 793-7846
www.westinautomotive.com

3. Remove factory M6 hardware and replace with supplied M6 button head bolts and M6 flat washers, See Figure 2 and 5.
4. Remove front rubber covers from rocker panel then install supplied M8 U-Clip Nuts into the designated areas, see Figure 3 and 4. (Note: U-Clips only used on front mounting location.)
5. Loosely install Front Mounting Bracket to the rocker panel with supplied M6 hardware by placing the bracket flush with factory welded nuts, see Front Assembly and Figure 5. (Note: Do not remove factory welded nuts.)
6. Loosely install Front Mounting Bracket to M8 U-Clip Nuts with supplied M8 hardware, see Front Assembly and Figure 4.
7. Remove the factory bolt from the front rubber body mount and replace it with a M14 hex screw. Loosely install Front Support Strap to body mount using M14 hex screw, see Figure 5,6, and Front Assembly. Note: The supplied round spacer (Item 25) must go in-between the front support strap (Item 7) and the factory metal mounting cup. See Front Assembly.
8. On the rear of vehicle remove rubber covers on the rocker panel, similar to Figure 3.
9. Loosely install Rear Mounting Bracket using supplied M8 Bolt Plates and M8 hardware. Guide M8 bolt plates through the revealed holes beneath the rubber covers on rocker panel. (Note: Crew cab model has different hole placements compared to the extended cab model.) Figure 8 shows the crew cab model hole placement. Extended cab models have the small and big hole right next to each other. Rear Mounting Bracket has a slot to accommodate difference between the two models, see figure 9. Use the poly retainers to prevent the bolt plates from falling into the rocker panel. See Rear Assembly, Figure 7, 8, and 9.
10. Loosely install Step Bar Assembly to Front and Rear Mounting Brackets using supplied 1/2" hardware, see Front Assembly and Rear Assembly.
11. **For crew cab vehicles** remove factory bolt from center body mount similar to Figure 6. Loosely install Center Support Strap to body mount and to step bar with the factory bolt and supplied 3/8" hardware, see Figure 10. Note: No spacer is needed.
12. Align and adjust the Step Bar as necessary. Tighten and torque all hardware : M6 to 7 ft-lbs., M8 to 15 ft-lbs., M10 to 20-25 ft-lbs., 1/2 to 45-50 ft-lbs., M14 to 75-80 ft-lbs.
13. Reinstall all plastic covers removed during installation process.



Westin Automotive Products, Inc.
320 Covina Blvd
San Dimas, Ca. 91773

Thank you for choosing Westin products
for additional installation assistance please call
Customer Service (800) 793-7846
www.westinautomotive.com

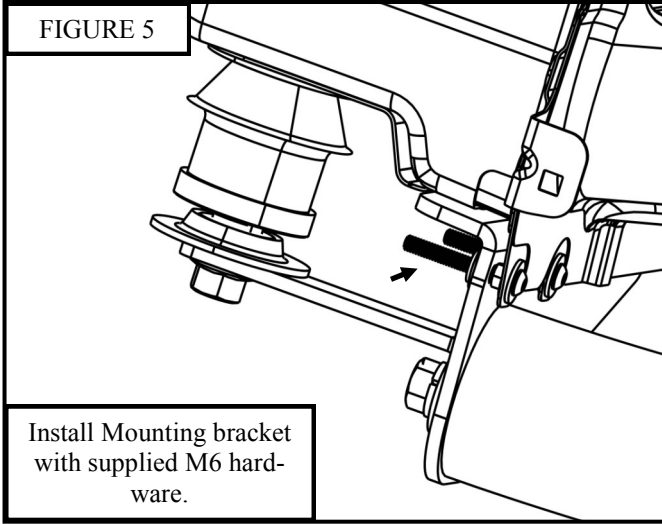


FIGURE 5

Install Mounting bracket with supplied M6 hardware.

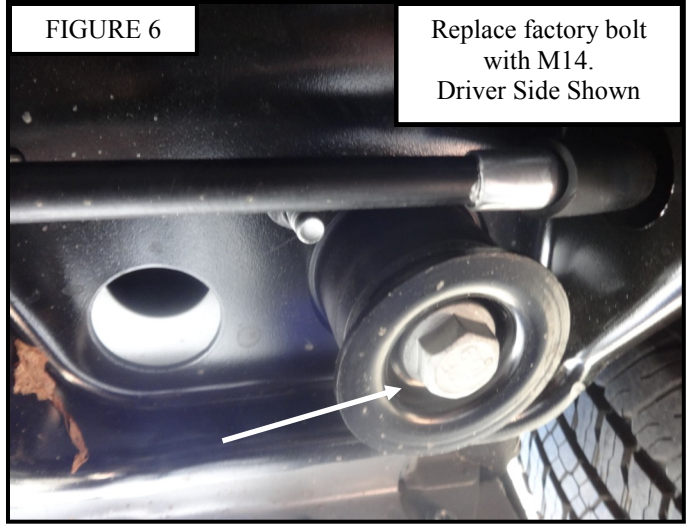


FIGURE 6

Replace factory bolt with M14.
Driver Side Shown

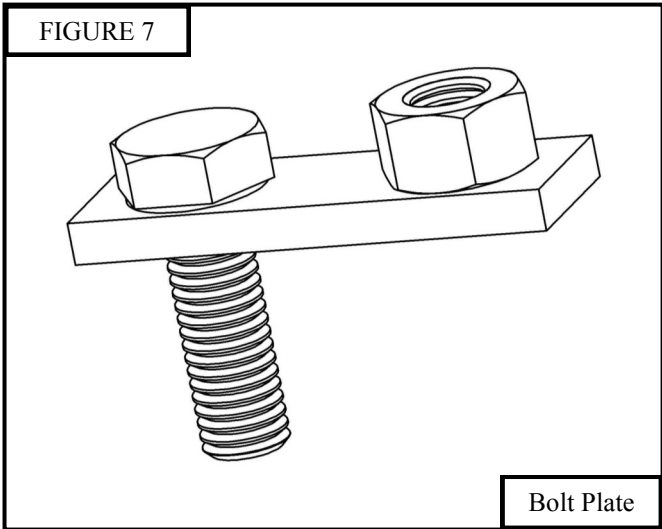


FIGURE 7

Bolt Plate

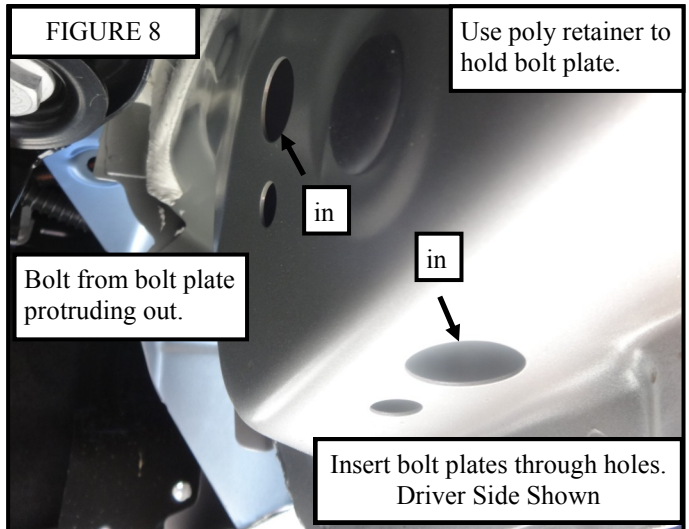


FIGURE 8

Use poly retainer to hold bolt plate.

Bolt from bolt plate protruding out.

Insert bolt plates through holes.
Driver Side Shown

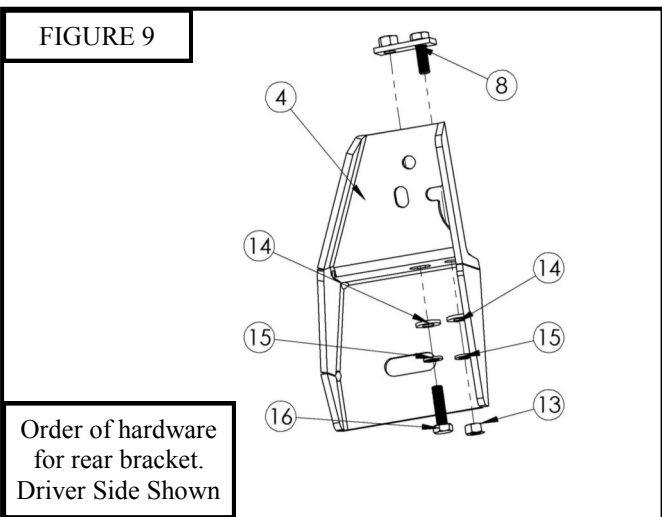


FIGURE 9

Order of hardware for rear bracket.
Driver Side Shown

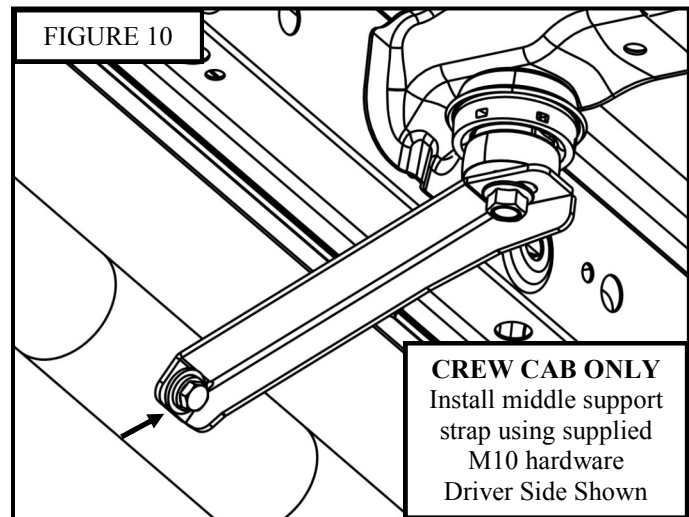


FIGURE 10

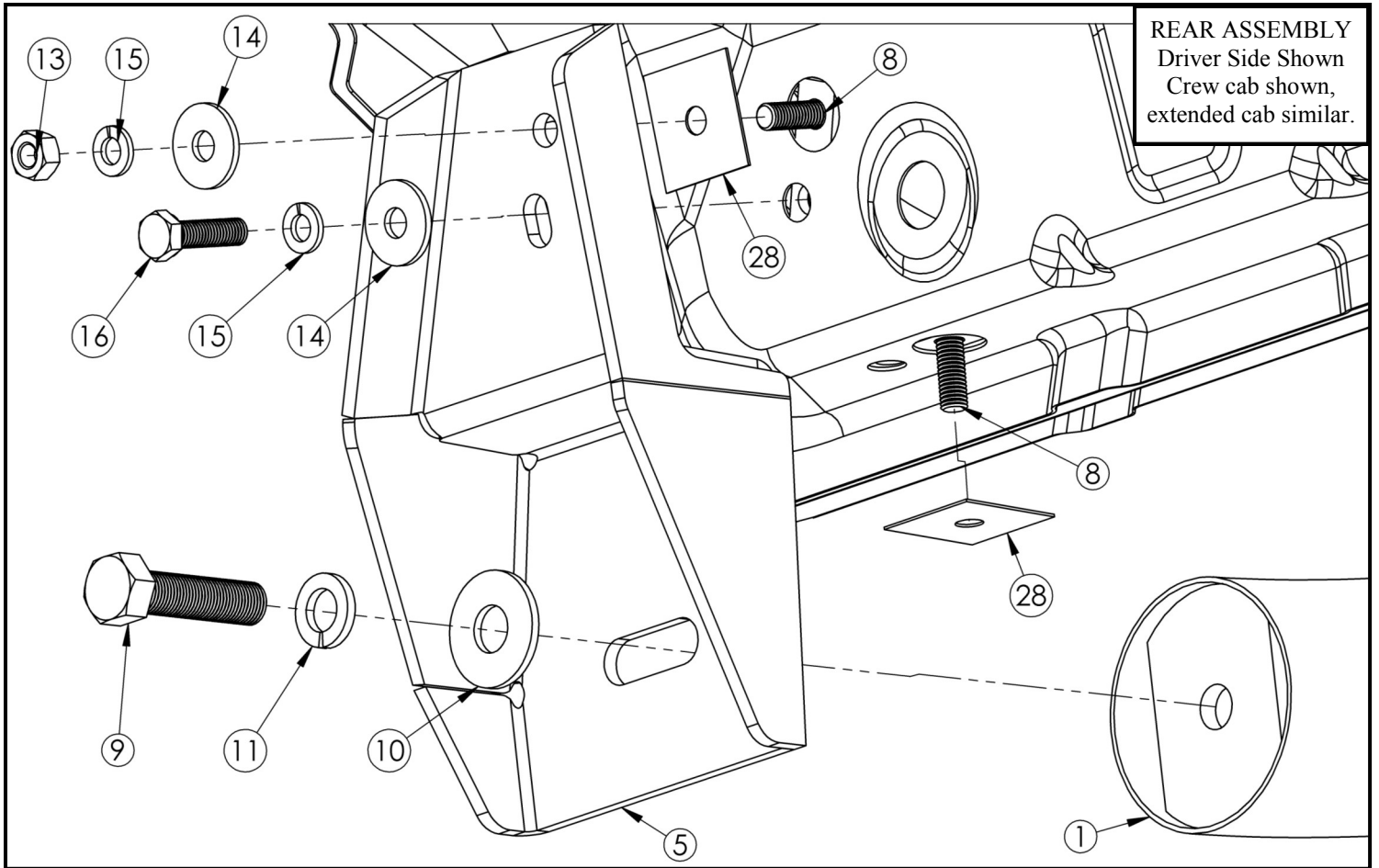
CREW CAB ONLY
Install middle support strap using supplied M10 hardware
Driver Side Shown



Westin Automotive Products, Inc.
320 Covina Blvd
San Dimas, Ca. 91773

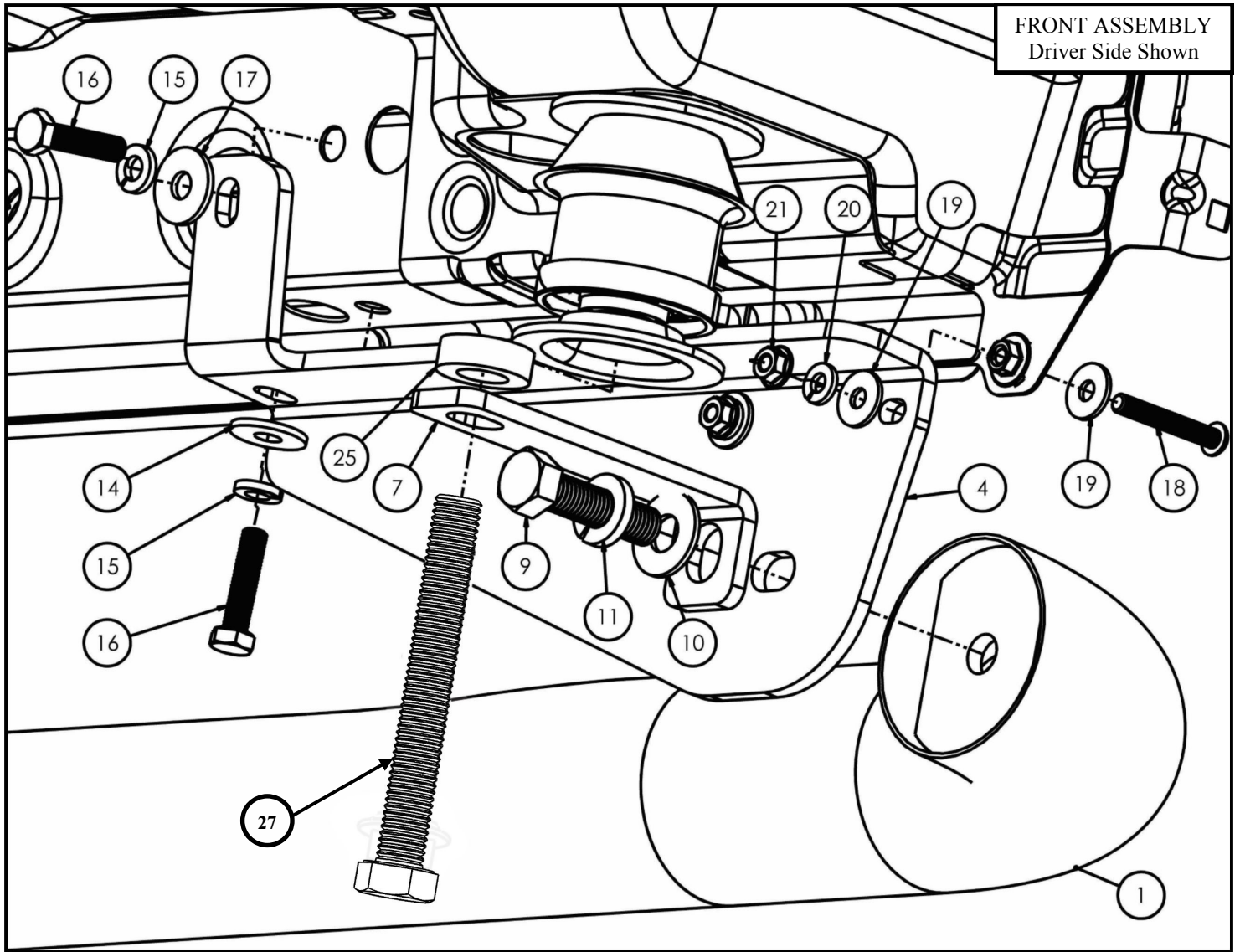
Thank you for choosing Westin products
for additional installation assistance please call
Customer Service (800) 793-7846
www.westinautomotive.com

Installation Complete



Westin Automotive Products, Inc.
320 Covina Blvd
San Dimas, Ca. 91773

Thank you for choosing Westin products
for additional installation assistance please call
Customer Service (800) 793-7846
www.westinautomotive.com



FRONT ASSEMBLY
Driver Side Shown

CARE INSTRUCTIONS

- REGULAR WAXING IS RECOMMENDED. DO NOT USE ANY TYPE OF POLISH OR WAX THAT MAY CONTAIN ABRASIVES.
- STAINLESS STEEL PRODUCTS CAN BE CLEANED WITH MILD SOAP AND WATER. STAINLESS STEEL POLISH SHOULD BE USED TO POLISH SMALL SCRATCHES.
- GLOSS BLACK FINISHES SHOULD BE CLEANED WITH MILD SOAP AND WATER.



Westin Automotive Products, Inc.
320 Covina Blvd
San Dimas, Ca. 91773

Thank you for choosing Westin products
for additional installation assistance please call
Customer Service (800) 793-7846
www.westinautomotive.com

Westin

SIGNATURE OF QUALITY

AUTOMOTIVE PRODUCTS, INC.



WARNING



Failure to follow these instructions could lead to death, personal injury, and / or property damage.

FASTENERS:

All Westin supplied fasteners must be utilized and installed in accordance with the installation instructions and apply torque to the specifications as defined. **DOUBLE CHECK ALL FASTENERS BEFORE INITIAL USE, AND PERIODICALLY IN THE FUTURE TO ENSURE PROPER FUNCTION AND SAFETY.**

DRILLING:

Most Westin products do not require drilling for installation. If drilling is defined as required, use caution when drilling a vehicle. **FAILURE TO REVIEW AN AREA TO BE DRILLED MAY RESULT IN PERSONAL INJURY AND/OR INJURY TO OTHERS AS WELL AS VEHICLE DAMAGE.**

EYE PROTECTION:

ALWAYS WEAR SAFETY GLASSES OR GOGGLES DURING THE INSTALLATION PROCESS TO AVOID PERSONAL INJURY.

MAXIMUM TOWING/CARRYING CAPACITY:

The Westin Receiver Hitches will have a visible tow rating label affixed directly on the product. User should never exceed the vehicle manufacturers maximum tow and weight rating regardless of the capacity of the hitch. **FAILURE TO FOLLOW THESE GUIDELINES WILL VOID THE WESTIN WARRANTY AND MAY RESULT IN PERSONAL INJURY AND/OR INJURY TO OTHERS AS WELL AS VEHICLE DAMAGE.**

Westin Automotive Products, Inc.
320 Covina Blvd
San Dimas, Ca. 91773

Thank you for choosing Westin products
for additional installation assistance please call
Customer Service (800) 793-7846
www.westinautomotive.com