



# INSTALLATION INSTRUCTIONS

## HDX XTREME BOARD

AUTOMOTIVE PRODUCTS,

### APPLICATION:

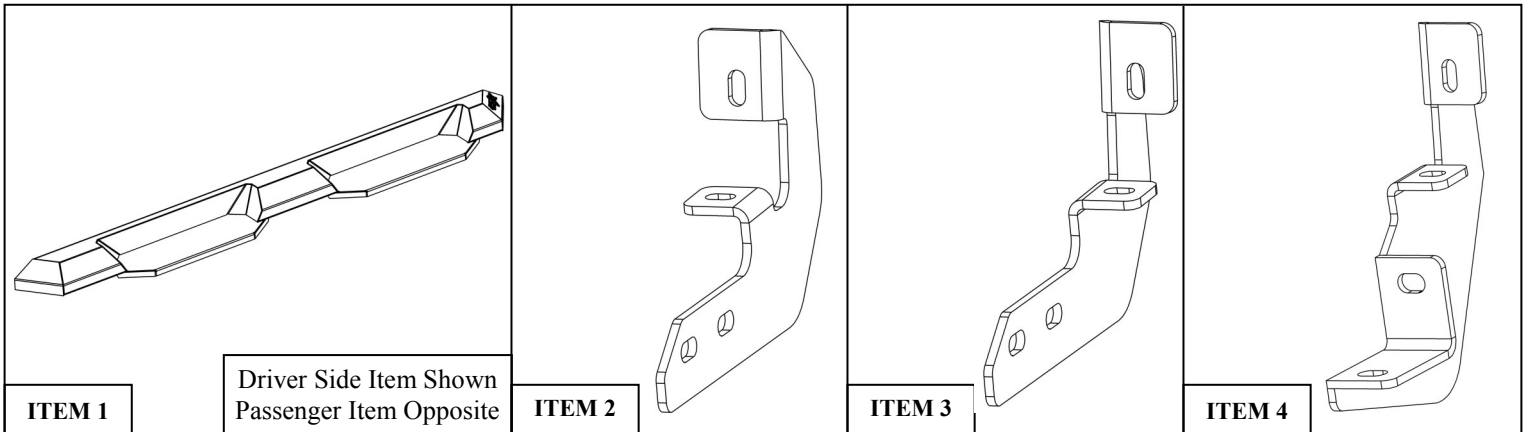
2015-2016 Chevrolet Colorado / GMC Canyon - Ext. / Crew Cab

### PART NUMBER:

56-24005, 56-24015

CONTENT			
ITEM	QUANTITY	DESCRIPTION	TOOLS NEEDED
1	2	STEP BAR ASSEMBLY	RATCHET
2,3	2	MOUNT BRACKET, DRIVER (2) AND PASSENGER (3)	TORQUE WRENCH
4	4	MOUNT BRACKET A	13MM SOCKET
5	12	M8 EXTRUDED U-NUT	13MM WRENCH
6	24	M8 HEX HEAD CAP SCREW	SOCKET EXT.
7	24	M8 SPLIT LOCK WASHER	FLASH LIGHT
8	24	M8 FLAT WASHER	

**ANTI-SEIZE LUBRICANT MUST BE USED ON ALL STAINLESS STEEL FASTENERS TO PREVENT THREAD DAMAGE AND GALLING**



### PROCEDURE

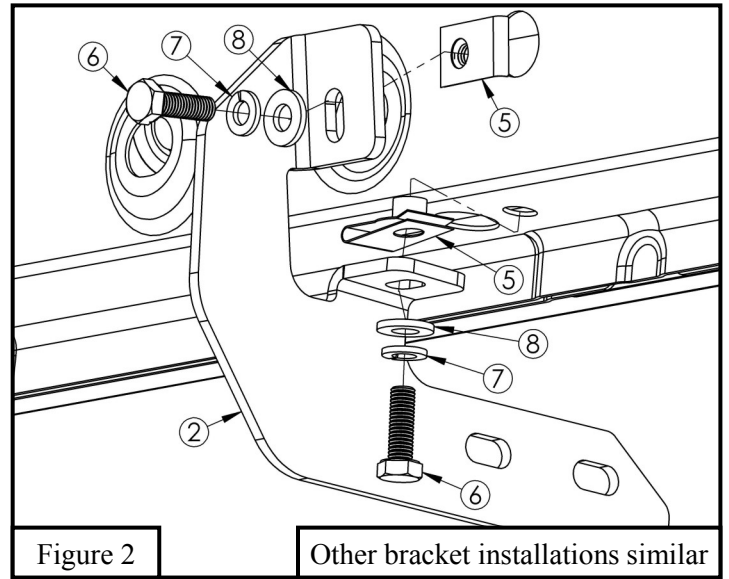
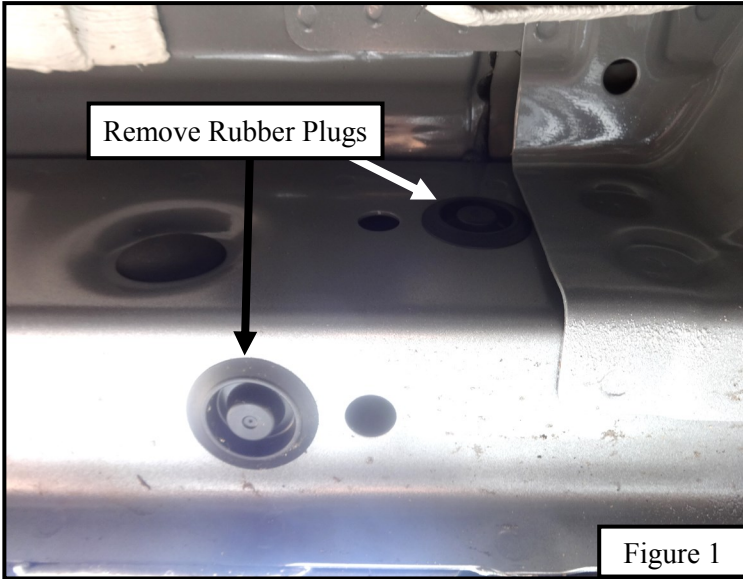
1. Remove contents from box, verify if all parts listed are present and free from damage.  
Carefully read and understand all instructions before attempting installation.  
**Failure to identify damage before installation could lead to a rejection of any claim.**



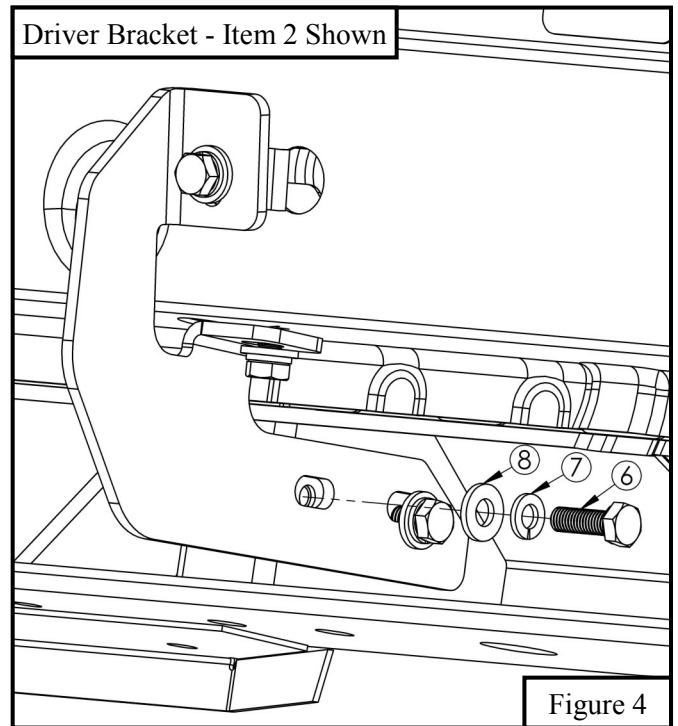
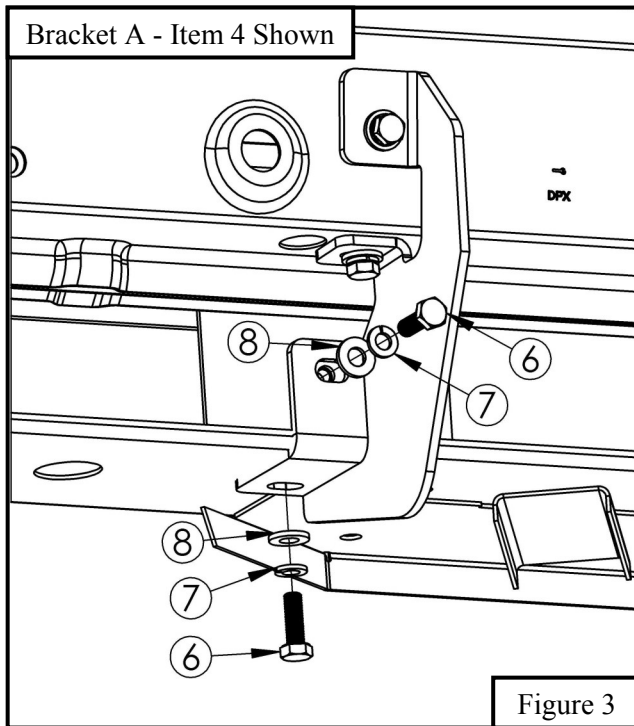
Westin Automotive Products, Inc.  
320 W. Covina Blvd  
San Dimas, Ca. 91773

Thank You for choosing Westin products  
For Additional installation assistance please call  
Customer service (800) 793-7846

1. Remove the rubber plugs located on the rocker panel at each bracket mounting location. **See Figure 1.**
2. Locate (1) Mounting Bracket (Item 2) and loosely secure it to the rocker panel using the provided hardware: (2) M8 hex cap screw, (2) M8 flat washer, (2) M8 lock washer, and (2) M8 u-nut clip. **See Figure 2.**
3. Repeat **Step 2** for every other bracket mounting location. (**See Page 3 For Bracket Orientation**)

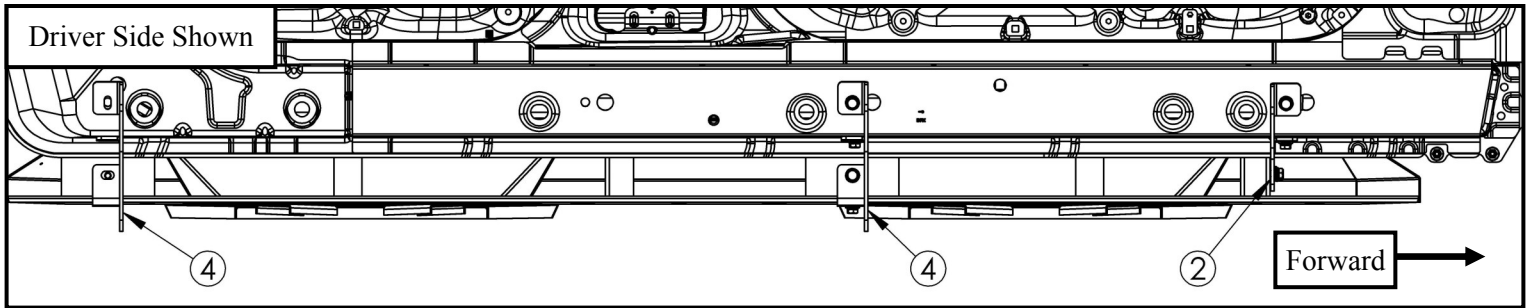


4. For Step Board installation to the previously installed mounting brackets use the supplied M8 hardware. Loosely install with the provided M8 hardware. **See Figure 3 & Figure 4.**
5. Align step bar and brackets to desired positioning then torque and tighten all: M8 hardware to 20 ft-lbs.



Westin Automotive Products, Inc.  
320 W. Covina Blvd  
San Dimas, Ca. 91773

Thank You for choosing Westin products  
For Additional installation assistance please call  
Customer service (800) 793-7846



**Care Instructions**

- REGULAR WAXING IS RECOMMENDED. DO NOT USE ANY TYPE OF POLISH OR WAX THAT MAY CONTAIN ABRASIVES.
- STAINLESS STEEL PRODUCTS CAN BE CLEANED WITH MILD SOAP AND WATER. STAINLESS STEEL POLISH SHOULD BE USED TO POLISH SMALL SCRATCHES.
- GLOSS BLACK FINISHES SHOULD BE CLEANED WITH MILD SOAP AND WATER.



Westin Automotive Products, Inc.  
 320 W. Covina Blvd  
 San Dimas, Ca. 91773

**Thank You for choosing Westin products**  
**For Additional installation assistance please call**  
**Customer service (800) 793-7846**

[www.westinautomotive.com](http://www.westinautomotive.com)

# Westin

SIGNATURE OF QUALITY

AUTOMOTIVE PRODUCTS, INC.



## WARNING



Failure to follow these instructions could lead to death, personal injury, and / or property damage.

### FASTENERS:

All Westin supplied fasteners must be utilized and installed in accordance with the installation instructions and apply torque to the specifications as defined. **DOUBLE CHECK ALL FASTENERS BEFORE INITIAL USE, AND PERIODICALLY IN THE FUTURE TO ENSURE PROPER FUNCTION AND SAFETY.**

### DRILLING:

Most Westin products do not require drilling for installation. If drilling is defined as required, use caution when drilling a vehicle. **FAILURE TO REVIEW AN AREA TO BE DRILLED MAY RESULT IN PERSONAL INJURY AND/OR INJURY TO OTHERS AS WELL AS VEHICLE DAMAGE.**

### EYE PROTECTION:

**ALWAYS WEAR SAFETY GLASSES OR GOGGLES DURING THE INSTALLATION PROCESS TO AVOID PERSONAL INJURY.**

### MAXIMUM TOWING/CARRYING CAPACITY:

The Westin Receiver Hitches will have a visible tow rating label affixed directly on the product. User should never exceed the vehicle manufacturers maximum tow and weight rating regardless of the capacity of the hitch. **FAILURE TO FOLLOW THESE GUIDELINES WILL VOID THE WESTIN WARRANTY AND MAY RESULT IN PERSONAL INJURY AND/OR INJURY TO OTHERS AS WELL AS VEHICLE DAMAGE.**

Westin Automotive Products, Inc.  
320 W. Covina Blvd  
San Dimas, Ca. 91773