

# INSTALLATION INSTRUCTIONS

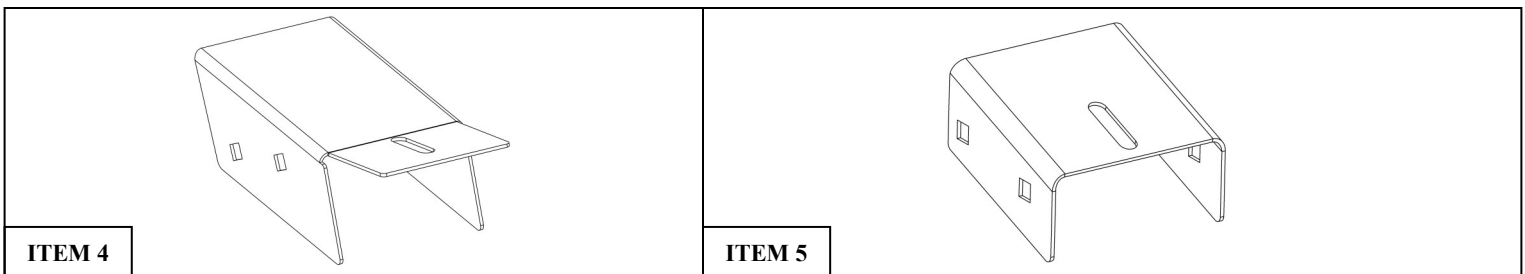
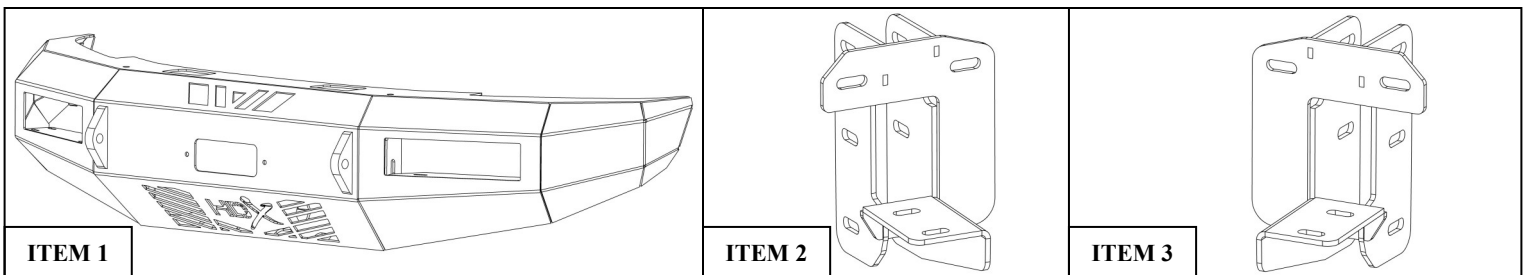
## HDX FRONT BUMPER



**APPLICATION:**  
2015 - 2017 Ford F-150  
**PART NUMBER:**  
58-141515, 58-141515NW

CONTENT			
ITEM	QUANTITY	DESCRIPTION	TOOLS NEEDED
1	1	BUMPER ASSEMBLY	18MM SOCKET
2,3	2	MOUNTING BRACKET, DRIVER (2) AND PASSENGER (3)	19MM SOCKET
4	2	INNER LIGHTING BRACKET	20MM SOCKET
5	2	OUTER LIGHTING BRACKET	13/16" SOCKET
6	6	LONG 1/2" HEX HEAD SCREW (YELLOW ZINC)	3/4" SOCKET
7	4	SHORT 1/2" HEX HEAD SCREW (YELLOW ZINC)	1/2" DRIVE RATCHET
8	10	1/2" HEX NUT (YELLOW ZINC)	1/4" DRIVE RATCHET
9	12	SMALL 1/2" FLAT WASHER (YELLOW ZINC)	5/16" SOCKET
10	8	LARGE 1/2" FLAT WASHER (YELLOW ZINC)	PRY TOOL
11	10	1/2" SPLIT LOCK WASHER (YELLOW ZINC)	TORQUE WRENCH
12	4	M12 HEX HEAD SCREW (YELLOW ZINC)	WRENCH
13	4	M12 SPLIT LOCK WASHER (YELLOW ZINC)	EXTENSION
14	4	M12 FLAT WASHER (YELLOW ZINC)	
15	16	1/4" HEX FLANGE NUT (YELLOW ZINC)	
16	16	1/4" SQUARE NECK CARRIAGE BOLT (BLACK)	
17	2	M12 DOUBLE NUT PLATE	

**ANTI-SEIZE LUBRICANT MUST BE USED ON ALL STAINLESS STEEL FASTENERS TO PREVENT THREAD DAMAGE AND GALLING**

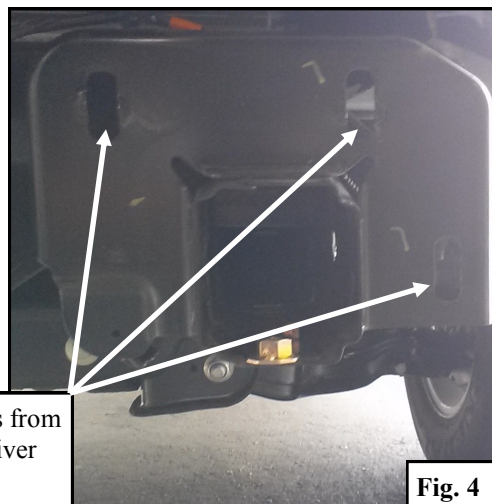
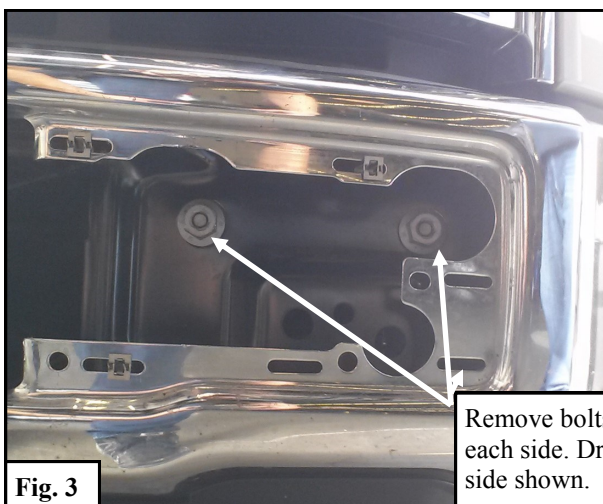
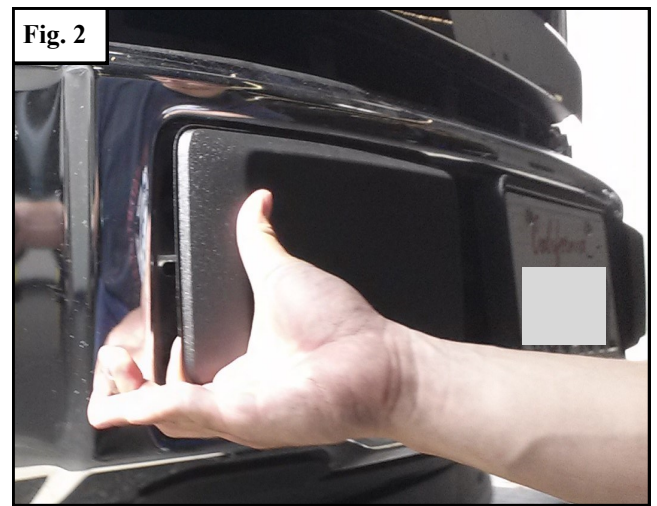
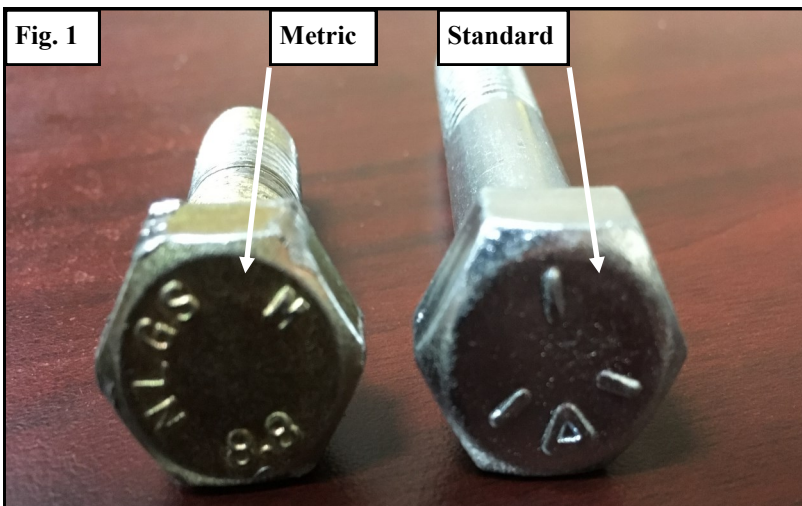


**WESTIN** Westin Automotive Products, Inc.  
320 W. Covina Blvd  
San Dimas, Ca. 91773

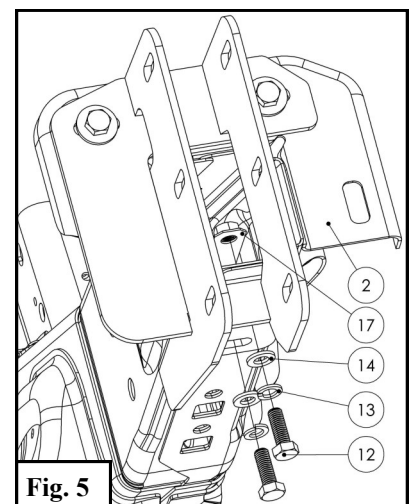
Thank you for choosing Westin products  
for additional installation assistance please call  
Customer Service (800) 793-7846

## PROCEDURE

1. Remove contents from box, verify if all parts listed are present and free from damage. Carefully read and understand all instructions before attempting installation.  
**Failure to identify damage before installation could lead to a rejection of any claim.**
2. Separate metric and standard hardware. **Note:** Standard hardware has three hashes on the heads and metric hardware is labeled as class 8.8. See **Figure 1**.
3. Remove plastic caps from stock bumper. See **Figure 2**.
4. Remove the three bolts indicated in **Figures 3 & 4** from each side of the vehicle.
5. Remove original bumper making sure to disconnect any electrical connections to the bumper.
6. **For vehicles without factory tow hooks:** Slip (1) double nut plate into frame and line up with existing holes. Loosely install the mounting bracket using the supplied M12 hardware as shown in **Figure 5**. Repeat on the opposite side of the vehicle. **Note:** Driver side shown.
7. **For vehicles with factory tow hooks:** Remove tow hooks and loosely install mounting brackets to factory nut plates using supplied M12 hardware. Bracket installation is similar to **step 4** as shown in **Figure 5**. **Note:** Factory tow hooks will not be reused.



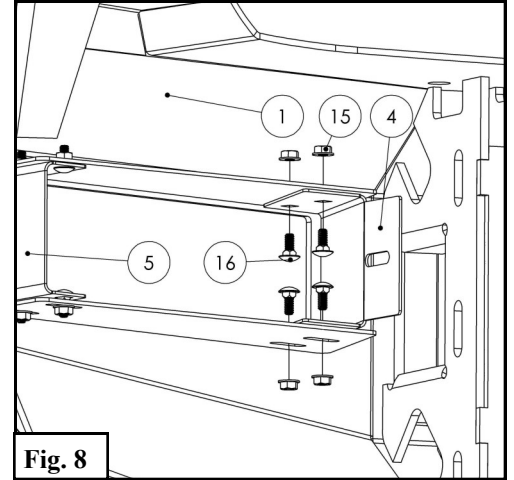
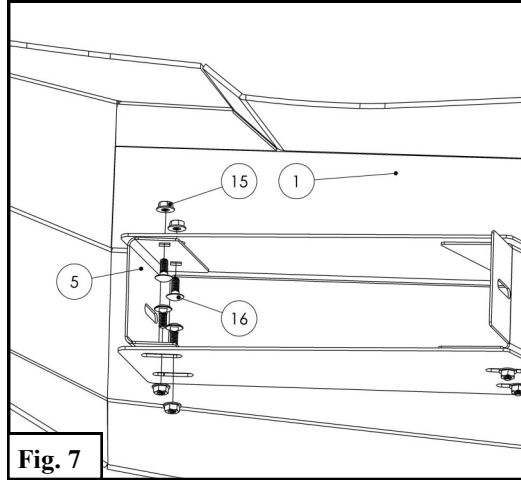
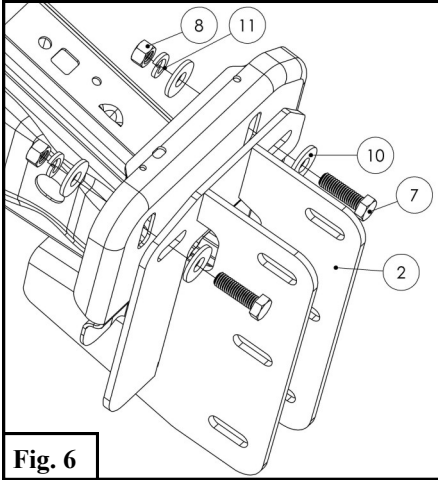
Remove bolts from each side. Driver side shown.



**WESTIN**

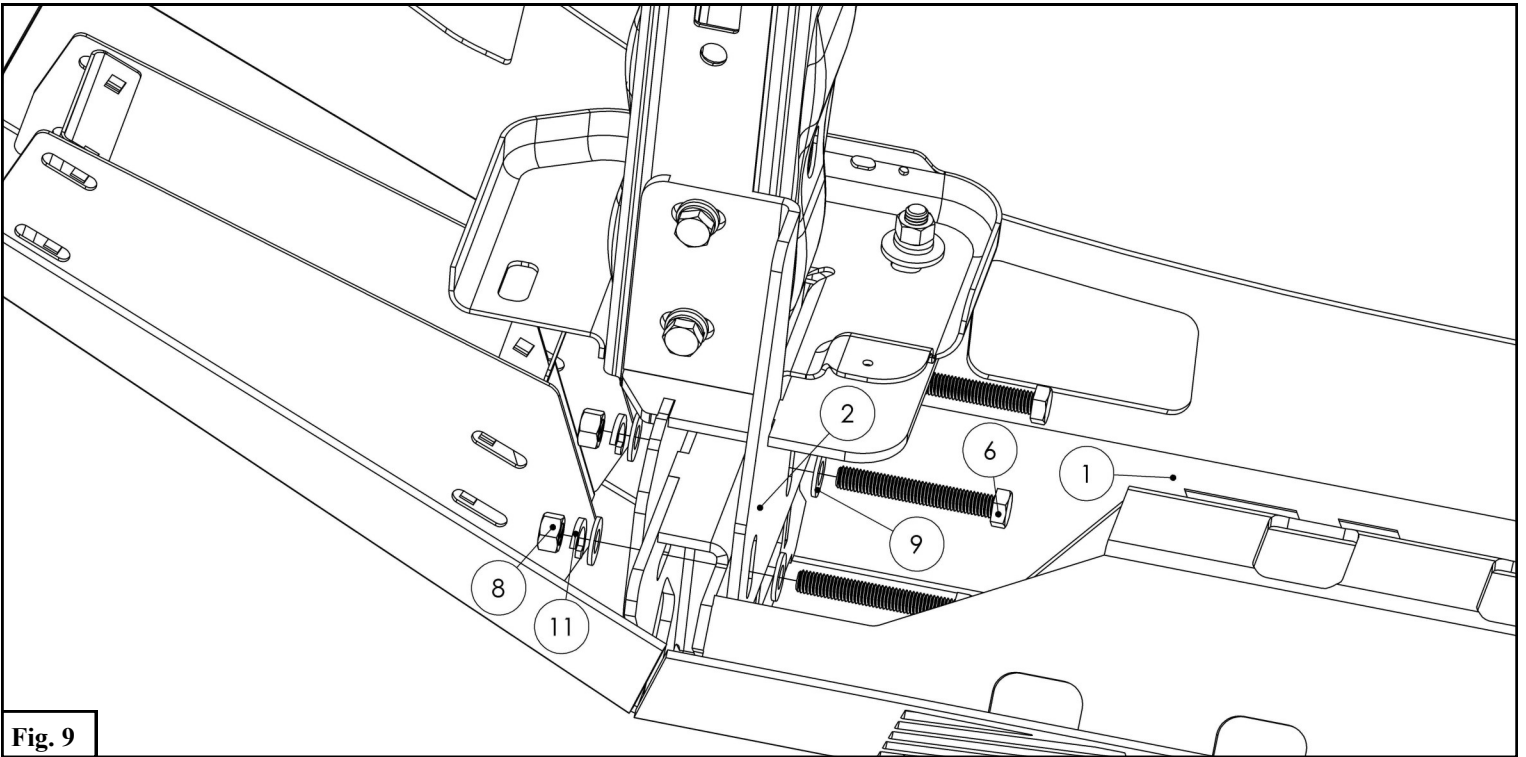
Westin Automotive Products, Inc.  
320 W. Covina Blvd  
San Dimas, Ca. 91773

8. Loosely attach the supplied 1/2" hardware to the front of the mounting brackets. *Note:* Driver side shown. See **Figure 6**.
9. Loosely install inner and outer lighting brackets (4 & 5) as seen in **Figures 7 & 8**. *Note:* Install lights with manufacturer hardware.



**Note: IF INSTALLING A WINCH, DO SO BEFORE INSTALLING BUMPER TO VEHICLE.** Install winch per winch manufacturer instructions. EcoBoost models are only compatible with the non-winch bumper (58-141515NW).

10. Loosely install bumper assembly (1) using the supplied 1/2" hardware. See **Figure 9**.



#### CARE INSTRUCTIONS

- REGULAR WAXING IS RECOMMENDED. DO NOT USE ANY TYPE OF POLISH OR WAX THAT MAY CONTAIN ABRASIVES
- STAINLESS STEEL PRODUCTS CAN BE CLEANED WITH MILD SOAP AND WATER. STAINLESS STEEL POLISH SHOULD BE USED TO POLISH SMALL SCRATCHES.
- GLOSS BLACK FINISHES SHOULD BE CLEANED WITH MILD SOAP AND WATER



11. Align and adjust previously installed brackets and bumper to proper fit. Torque hardware to the following specifications. 1/4" to 8 ft-lbs, 1/2" to 57 ft-lbs, and M12 to 50-55 ft-lbs.

### Installation Complete



# Westin

SIGNATURE OF QUALITY

AUTOMOTIVE PRODUCTS, INC.



## WARNING



Failure to follow these instructions could lead to death, personal injury, and / or property damage.

### **FASTENERS:**

All Westin supplied fasteners must be utilized and installed in accordance with the installation instructions and apply torque to the specifications as defined. **DOUBLE CHECK ALL FASTENERS BEFORE INITIAL USE, AND PERIODICALLY IN THE FUTURE TO ENSURE PROPER FUNCTION AND SAFETY.**

### **DRILLING:**

Most Westin products do not require drilling for installation. If drilling is defined as required, use caution when drilling a vehicle. **FAILURE TO REVIEW AN AREA TO BE DRILLED MAY RESULT IN PERSONAL INJURY AND/OR INJURY TO OTHERS AS WELL AS VEHICLE DAMAGE.**

### **EYE PROTECTION:**

**ALWAYS WEAR SAFETY GLASSES OR GOGGLES DURING THE INSTALLATION PROCESS TO AVOID PERSONAL INJURY.**

### **MAXIMUM TOWING/CARRYING CAPACITY:**

The Westin Receiver Hitches will have a visible tow rating label affixed directly on the product. User should never exceed the vehicle manufacturers maximum tow and weight rating regardless of the capacity of the hitch. **FAILURE TO FOLLOW THESE GUIDELINES WILL VOID THE WESTIN WARRANTY AND MAY RESULT IN PERSONAL INJURY AND/OR INJURY TO OTHERS AS WELL AS VEHICLE DAMAGE.**

## WESTIN

Westin Automotive Products, Inc.  
320 W. Covina Blvd  
San Dimas, Ca. 91773

Thank you for choosing Westin products  
for additional installation assistance please call  
Customer Service (800) 793-7846

[www.westinautomotive.com](http://www.westinautomotive.com)