



INSTRUCTIONS—INSTRUCCIONES—CONSIGNES

AUTOMOTIVE PRODUCTS, INC.

APPLICATION: 05-07 JEEP LIBERTY
APP. PART # 23-3270, 23-3275
3" ROUND STEP BARS

ITEM	QUANTITY	DESCRIPTION	TOOLS NEEDED
1	2	STEP BARS	3/4" SOCKET
2,3	2	FRONT MOUNTING BRACKETS (2) DRIVERS SIDE, (3) PASSENGER SIDE	18MM SOCKET
4,5	2	FRONT SUPPORT BRACKETS (4) DRIVERS SIDE, (5) PASSENGER SIDE	16 MM SOCKET
6,7	2	REAR MOUNTING BRACKET (6) DRIVERS SIDE, (7) PASSENGER SIDE	13MM SOCKET
8	2	M12 HEX NUTS	RACTCHET
9	6	1/2" BOLT PLATES	TORQUE WRENCH
10	6	1/2" HEX NUTS	
11	6	1/2" LOCK WASHERS	
12	8	1/2" FLAT WASHERS	
13	2	M10 HEX HEAD BOLTS	
14	2	M10 LOCK WASHERS	
15	2	M10 HEX NUTS	
16	2	M10 FLAT WASHERS	
17	8	M8 HEX HEAD BOLTS	
18	8	M8 LOCK WASHERS	
19	8	M8 FLAT WASHERS	

1. Remove all contents from box, verify all parts listed are present and free from damage. Carefully read and understand all instructions before attempting installation.
2. Locate driver side front Mounting Bracket and driver side front Support Bracket. There are three factory holes in the outer side of the frame rail towards the front of the vehicle, one large round, one oval, and one small round. Insert (2) 1/2" Bolt Plates through large round hole so they protrude through oval and small round hole adjacent (Figure 1).
3. While holding the Bolt Plates in place, position driver side front Mounting Bracket over already inserted Bolt Plates. Secure front Mounting Bracket using the included (2) 1/2" Lock Washers, (2) 1/2" Flat Washers, and (2) 1/2" Hex Nuts (Figure 2). Do not tighten at this time.
4. Remove the factory bolt in the pinch weld located right above the front Mounting Bracket. Loosely attach straight end of the front Support Bracket on the outer side of pinch weld using the factory bolt removed in this step (Figure 3).
5. Attach bend end of driver side front Support Bracket to the front side of the Mounting Bracket using the included (1) M10 Hex Head Bolt, (1) M10 lock Washer, (1) M10 Hex Nut, and (2) M10 Flat Washers (Figure 3). Do not tighten at this time.
6. Partially hang driver side rear Mounting Bracket to factory 12mm stud located in the floor panel towards the center of the vehicle using the included (1) M12 Hex Nut and (1) 1/2" Flat Washer (Figure 4).
7. Insert (1) 1/2" Bolt Plate through slotted factory hole on the bottom of the frame rail so it protrude through hole on the outer side of the frame. Attach driver side rear Mounting Bracket to Bolt Plate using the included (1) 1/2" Lock Washer, (1) 1/2" Flat Washer, and (1) 1/2" Hex Nut (Figure 4).
8. Position driver Sidebar onto Mounting Brackets. Attach Sidebar to Mounting Brackets using the included (4) M8 Hex Head Bolts, (4) M8 Lock Washers, (4) M8 Flat Washers (Figure 3).



Westing Automotive Products, Inc.
5200 N. Irwindale Ave. Suite 220
Irwindale, Ca. 91706

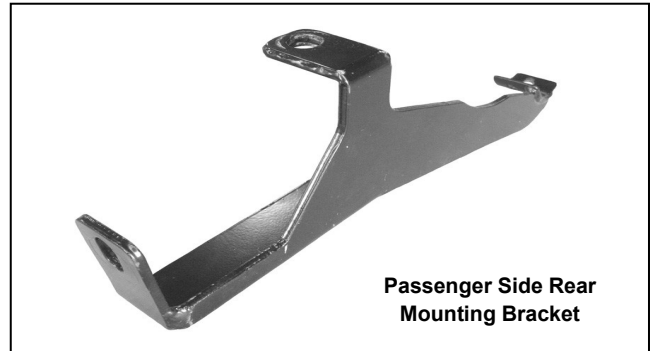
3/17/2011 P.N.: 75-0051-RevA

Thank You for choosing Westin products
For Additional installation assistance please call
Customer service (800) 793-7846
www.westinautomotive.com

9. Align Sidebar properly; and then tighten all hardware at this time. Torque all 1/2" fasteners to 55-60 ft lbs, M12 fasteners to 50-55 ft lbs, M10 fasteners to 35-40 ft lbs, and M8 fasteners to 25-30 ft lbs
10. Repeat steps 2 -10 for passenger Sidebar. NOTE: Passenger side rear Mounting Bracket mounts the same as the driver side, except the passenger side mounts on the inner side of the frame rail (Figure 5).

CARE INSTRUCTIONS

- REGULAR WAXING IS RECOMMENDED. DO NOT USE ANY TYPE OF POLISH OR WAX THAT MAY CONTAIN ABRASIVES
- STAINLESS STEEL PRODUCTS CAN BE CLEANED WITH MILD SOAP AND WATER. STAINLESS STEEL POLISH SHOULD BE USED TO POLISH SMALL SCRATCHES.
- GLOSS BLACK FINISHES SHOULD BE CLEANED WITH MILD SOAP AND WATER



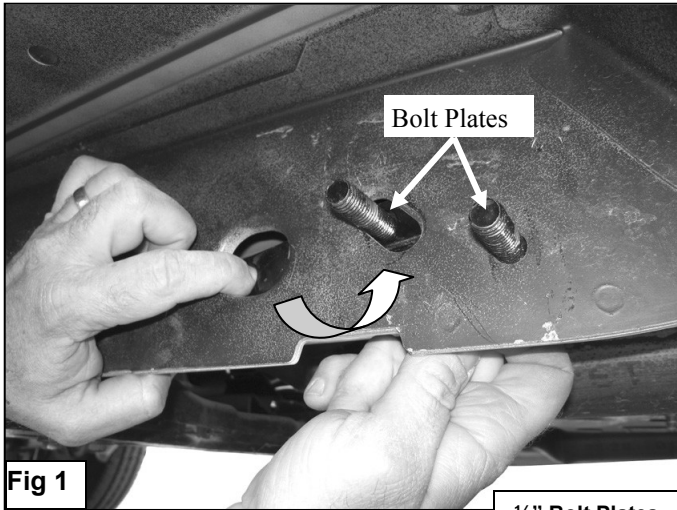
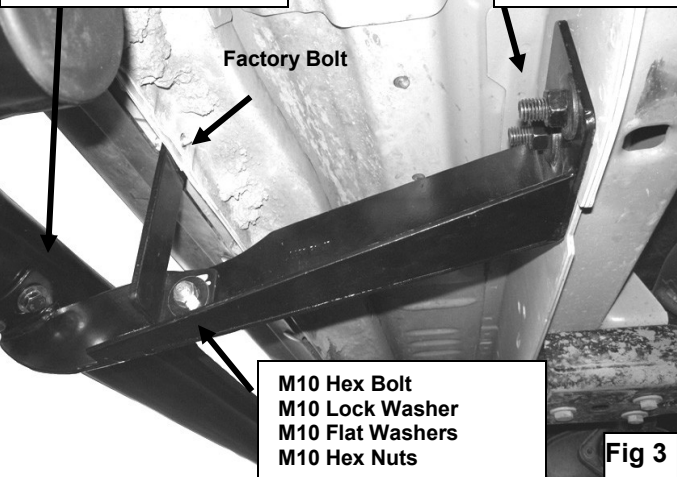


Fig 1

M8 Hex Bolts
M8 Lock Washers
M8 Flat Washers

Bolt Plates

1/2" Bolt Plates
1/2" Lock Washers
1/2" Flat Washers
1/2" Hex Nuts



Factory Bolt

M10 Hex Bolt
M10 Lock Washer
M10 Flat Washers
M10 Hex Nuts

Fig 3

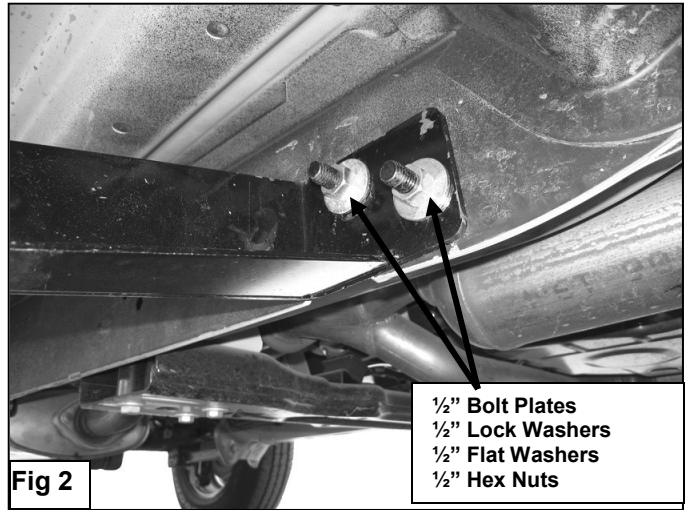
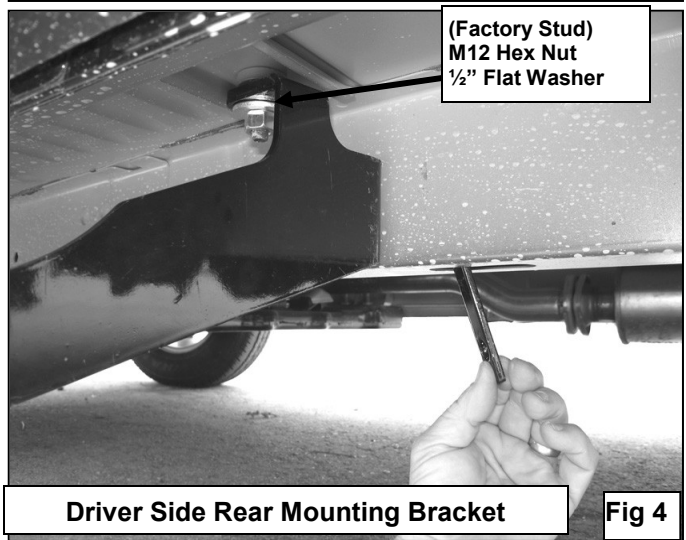


Fig 2

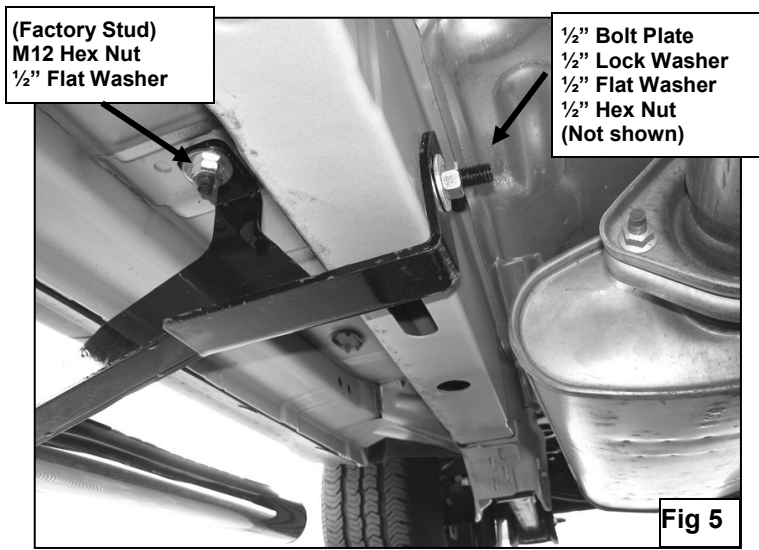
1/2" Bolt Plates
1/2" Lock Washers
1/2" Flat Washers
1/2" Hex Nuts



(Factory Stud)
M12 Hex Nut
1/2" Flat Washer

Driver Side Rear Mounting Bracket

Fig 4



(Factory Stud)
M12 Hex Nut
1/2" Flat Washer

1/2" Bolt Plate
1/2" Lock Washer
1/2" Flat Washer
1/2" Hex Nut
(Not shown)

Fig 5



Installation Complete



Westing Automotive Products, Inc.
5200 N. Irwindale Ave. Suite 220
Irwindale, Ca. 91706

3/17/2011 P.N.: 75-0051-RevA

Thank You for choosing Westin products
For Additional installation assistance please call
Customer service (800) 793-7846
www.westinautomotive.com