

# INSTALLATION INSTRUCTIONS

## CUSTOMER SERVICE

Phone: 877-878-9336 • 8:00 am - 5:00 pm Mon - Fri CT

Email: [customersupport@truxedo.com](mailto:customersupport@truxedo.com)

# TOYOTA TUNDRA W/TRACKS DEUCE 2 INSTALLATION INSTRUCTIONS

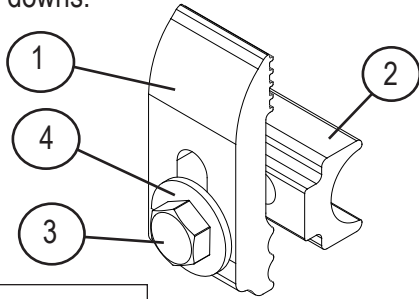
**1** Remove cargo rail end plugs: At the tailgate push in on the plug lock and at the same time push the end plug out of the track.



**2** Remove tie downs: If tie downs are installed remove them from the cargo rail.

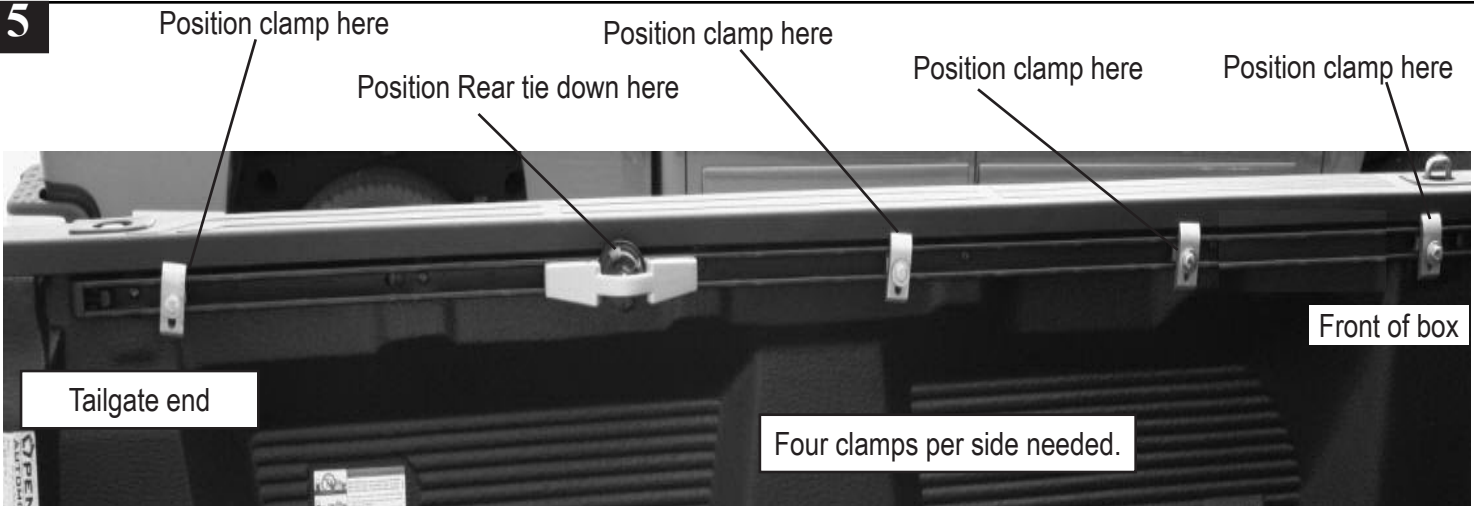
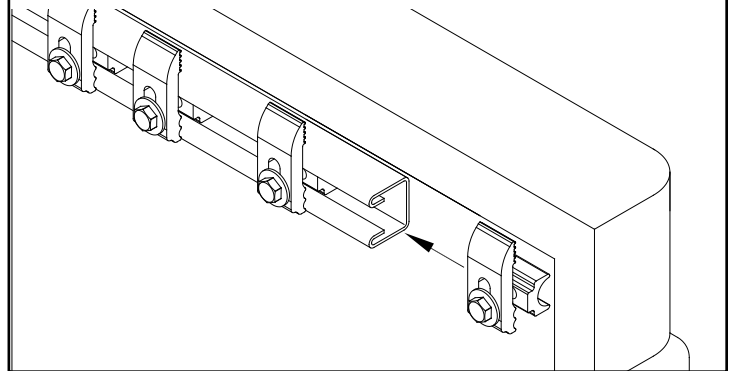


**3** Install clamps: Slide the female side of clamp into the cargo rail. See step five to correctly arrange the order of the clamps and tie downs.



Item	Part #	Description
1.	1706408	MALE CLAMP
2.	1703889	FEMALE CLAMP
3.	1701208	CAP SCREW 5/16" X 1 1/4"
4.	1700428	FLAT WASHER 5/16"

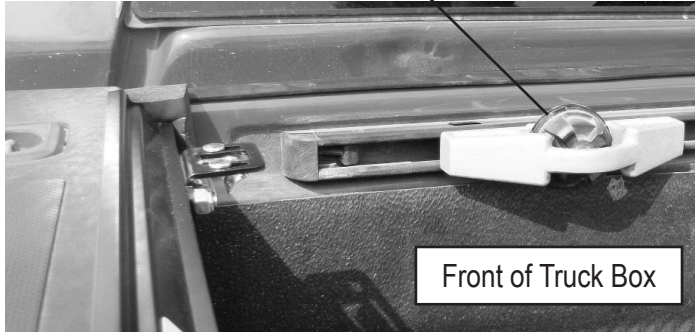
**4** Install clamps in cargo rail as shown below:  
After clamps and tie down are installed replace the cargo rail end plugs. Leave clamps loose for now. Repeat steps 1 through 4 for the passenger side clamp installation.



## 2007 OR NEWER TOYOTA TUNDRA W/TRACKS DEUCE INSTALLATION INSTRUCTIONS

- 6** Installing Front Tie Downs: The tie downs will not fit under the underbody rails and will need to go on the bulkhead track at the front of the box.

Position tie down here



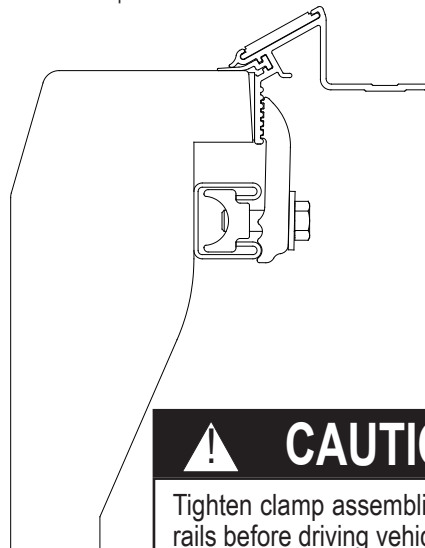
- 7** Install the underbody rails: The underbody rails are marked driver and passenger side. Clamp the underbody rails to the trucks bed rail. The underbody rails will be placed in front of the rear rail and right above the trucks cargo rail. Refer to step two in Deuce manual 1117648 for further positioning information.



- 8** Install rear rail: With the underbody rails installed, position the rear rail along the inside edge of the truck box. Slide the rail forward so it is touching end to end with the underbody rail. Tighten clamps against the rail.



- 9** The Deuce rail will be positioned at this height with seal compressed. Side rail end plug is not shown.



### **!** CAUTION

Tighten clamp assemblies securely on side rails before driving vehicle.