

# DDF05A

# DODGE

## Front suspension package Ensemble pour suspension avant Ensemble para suspensión de delantero

### INSTALLATION INSTRUCTIONS

- Raise vehicle allowing the axle to hang freely.
- Assemble Aeon spring #4 to bracket #3.
- Find vehicle frame bracket located above the rear of lower control arm, sliding plate # 2 up between vehicle bracket and frame to align with holes.
- Mount Timbren assembly to plate #2.
- Lower vehicle.

#### NOTES:

There are left and right brackets in each kit.

### INSTRUCTIONS DE MONTAGE

- Soulever le véhicule de sorte que l'essieu soit dégagé.
- Assembler le ressort Aeon no.4 au support no.3.
- Chercher le support sur le châssis qui se trouve au dessus du bras de commande inférieur, en glissant la plaque no.2 entre le support du véhicule et le châssis, pour l'aligner avec les trous.
- Monter l'ensemble Timbren sur la plaque no.2.
- Redescendre le véhicule.

#### REMARQUES:

Remarquer qu'il y a des supports gauches et droits dans chaque ensemble.

### INSTRUCCIONES DE INSTALACIÓN

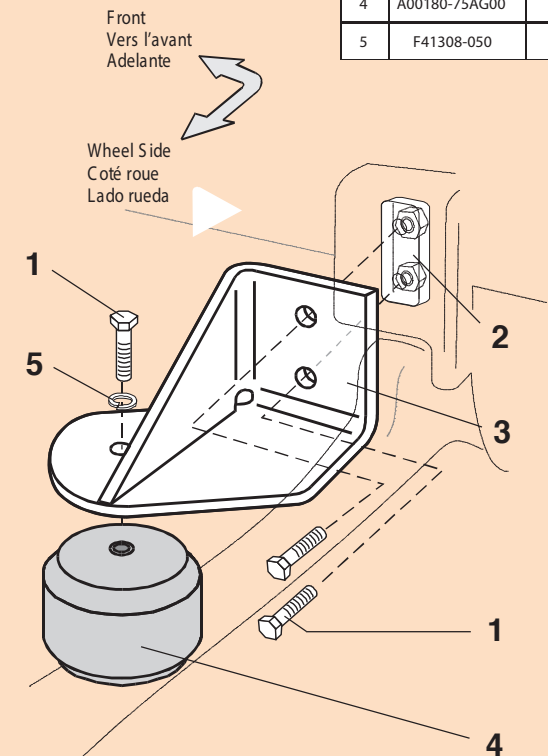
- Levante el vehículo dejando que los ejes cuelguen libremente.
- Monte el resorte #4 de Aeon con el soporte # 3.
- Buscar el apoyo sobre el chasis que se encuentra sobre el brazo de pedido inferior, deslizando la placa no.2 entre el apoyo del vehículo y el chasis, para alinearlos con los agujeros.
- Armar el conjunto Timbren sobre la placa no.2.
- Baje el vehículo.

#### NOTAS:

Hay abrazaderas izquierda y derecha en cada kit.

Ref. = Reference = No. de référence = Núm. de referencia  
Part = Part #. = No. de pièce = Núm. de pieza  
Qty. = Quantity = Quantité = Cantidad

Ref	Part	Qty
1	F11534-350	6
2	K10437-003	2
3	K51294-003	1L-1R
4	A00180-75AG00	2
5	F41308-050	2



Do not exceed vehicle manufacturer's recommended axle weight rating. Check for AEON® interference with vehicle components - Under load AEON® will "expand" in diameter.

Ne pas dépasser le poids nominal sur l'essieu recommandé par le fabricant du véhicule. Vérifier que le ressort AEON® n'a pas d'incidence sur d'autres pièces du véhicule - Le ressort AEON® augmentera son diamètre avec la charge.

No exceda la carga nominal en el eje recomendada por el fabricante del vehículo. Compruebe que no haya interferencia entre el resorte AEON® y los otros componentes del vehículo. Bajo carga, el resorte AEON® se amplía en diámetro.

DDF05A



## DDF05A

TIMBREN INDUSTRIES INC.

[www.timbren.com](http://www.timbren.com)

PART NUMBER	DESCRIPTION	QTY	LOCATION
<b>F41308-050</b>	WASHER SPLIT LOCK M10 Gr 8.8 Z	<b>2</b>	<b>I1D</b>
<b>F11534-350</b>	HCS M10 x 25 x 1.5 Gr 8.8 Z	<b>6</b>	<b>I1C</b>
<b>A00180-75AG00</b>	Hollow Rubber Spring	<b>2</b>	<b>C3B</b>
<b>K51294LH-003</b>	DDF05A FRAME BRACKET LH PAINTED	<b>1</b>	<b>D15D</b>
<b>K51294RH-003</b>	DDF05A FRAME BRACKET RH PAINTED	<b>1</b>	<b>D15D</b>
<b>K10437-003</b>	DDF05A WELDMENT PAINTED	<b>2</b>	<b>D15D</b>
<b>B90264-CF</b>	MINI FRONT BOX - 7 x 5.25 x 4.75	<b>1</b>	<b>A--D</b>
<b>B10000</b>	8" x 12" BUBBLE FOR KITS	<b>1</b>	
<b>B00029-010</b>	BARCODE LABEL FOR KIT	<b>1</b>	

### ASSEMBLY NOTES:

**APPLY 'LEFT' LABEL TO K51294LH BRACKET.**

Issued: 12/1/2011

### Clearance Instructions:

Rear SES Kits for Pick-Ups and Vans should have a 1/2" to 1-1/2" gap between the rubber spring and contact point when empty.

A partial load, or vehicle accessories will reduce or eliminate the gap.

Front SES kits are usually in full contact.

Medium and Heavy-Duty Trucks, Trailers and Motorhomes will be in constant contact, and have no gap.

### Lifetime Warranty:

Timbren SES Kits are warranted against defects in material and workmanship, under normal use and service, for the life of the vehicle on which the kit was originally installed. The warranty is not transferable and proof of purchase is required. The warranty is limited to the replacement of the failed part.

TIMBREN will not be responsible for any labour or freight charges involved in the replacement of any product. TIMBREN shall be entitled to make its own inspection to determine the validity of the claim. TIMBREN shall not be liable nor warranty the product in the event of alteration, misuse, overload, negligence or damage caused by others.

If ride or performance of our product is unsatisfactory in any way, please call: 1-800-263-3113 or email [sales@timbren.com](mailto:sales@timbren.com)