

T-REX

GRILLES



UPPER CLASS GRILLE

BUMPER GRILLE - #52574 / #55574

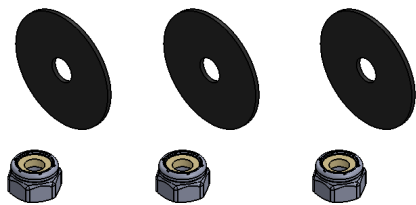
2015 F-150

PARTS INCLUDED

- (1) UPPER CLASS Bumper Grille
 Polished - Part #55574 OR
 Black - Part #52574

HARDWARE INCLUDED

- (3) 3-16 x 1 Fender Washer
 (3) 10-32 Nylon Lock Nuts



* Image of Hardware

TOOLS REQUIRED

- Socket Set
- Socket
- Flash Light

BUMPER GRILLE INSTALLATION GUIDE

START HERE

PLEASE READ AND UNDERSTAND ALL INSTRUCTIONS BEFORE INSTALLATION. Auto makers offer varied models to each vehicle and occasionally manufacture more than one body style of the same model. To assure your part is correct; our tech department can be contacted at tech@trexbillet.com to verify fitment and assist with technical questions. All other inquires can be directed to info@trexbillet.com. In the event you do not have internet access please call 1-800-287-5900.

* APPLICATION MODELS VARY. WE RECOMMEND TO VERIFY FITMENT BEFORE BEGINNING INSTALLATION PROCESS.
 * IMAGES FEATURED IN THE INSTRUCTION DOCUMENTS MAY NOT ALWAYS EXACTLY MATCH YOUR GRILL.

STEP 1 FRONT BUMPER REMOVAL

- 1) Turn off engine and chalk tires with stop block. Open Hood.

PRO TIP:

Before you begin, use "3M Painters Tape" to apply a protective guard around the work areas. Attend to the fender and bumper valance. This will help protect the paint and finish of your vehicle.

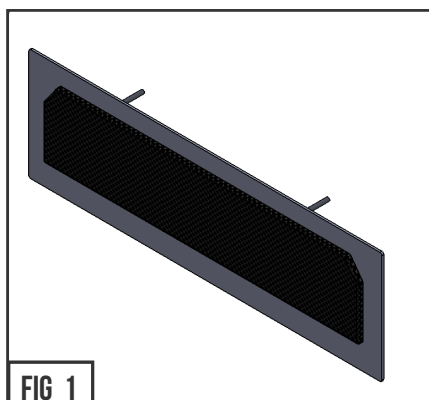


FIG 1

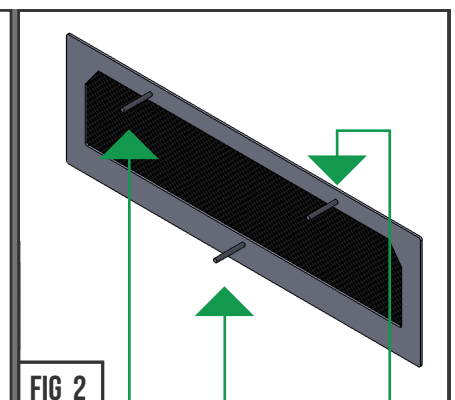


FIG 2

STEP 2 SEE FIGURE 1 - 3

- 2) Lay out your grille and hardware.

STEP 3

- 3) Do yourself a favor and carefully run down the nuts onto the studs and then remove them to get ready for install.

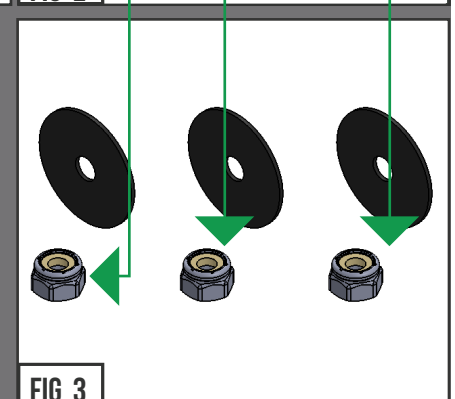


FIG 3

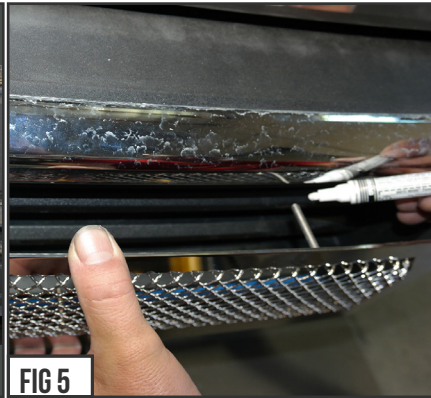
UPPER CLASS GRILLE

BUMPER GRILLE - #52574 / #55574

2015 F-150

GRILLE INSTALLATION - CONTINUED

V8 MODEL BUMPER GRILLE INSTALL START



STEPS 4 & 5

SEE FIGURES 4 - 6

4) Carefully place your new T-Rex Bumper Grille and overlay it in the lower bumper opening. Using a paint marker / parts marker pen to mark and identify where your hardware will exactly meet / touch on the plastic bumper opening. Press it onto the grille. This marking will identify where you will drill a small 1/8 inch hole through the plastic.

SEE FIGURE 6

5) Using an 1/8 inch drill bit and drill, drill holes through lower bumper opening.

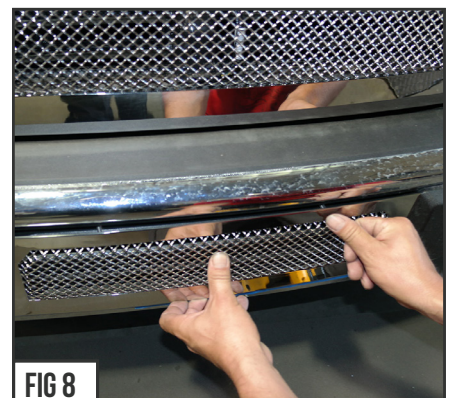


STEPS 6 & 7

SEE FIGURES 7 & 8

6) Fit the bumper grille into position and align threaded mounting post into the drilled holes.

7) Firmly push into place on edges and center till the grille bottoms out and you are satisfied with the fitment and position.



STEP 8

SEE FIGURES 9

8) Slide on the supplied fender washers and lock nuts and tighten down till hardware has been fully secured. Grille install complete.



GRILLE INSTALLATION PROCESS COMPLETE

BUMPER GRILLE INSTALLED

UPPER CLASS GRILLE

BUMPER GRILLE - #52574 / #55574

2015 F-150

GRILLE INSTALLATION - CONTINUED



STEP 9 POST INSTALLATION VISUAL INSPECTION

SEE FIGURES 10 & 11

9) At this point you want to look over your work and examine the gap alignments around all edges and in between the new T-REX Grille and the vehicle components and body lines. Carefully close the hood for a complete visual inspection. If adjustment is needed, you can loosen the hardware mounts and shift side to side or up & down to achieve proper look.



GRILLE INSTALLATION PROCESS COMPLETE



T-REX GRILLES PRODUCT WARRANTY

T-REX GRILLES PRODUCT WARRANTY

T-REX Truck Products warrants its grille products to be free from defects in material and workmanship for the lifetime of the grille. T-REX Truck Products warrants the finish of its grille products for a 3 year period beginning at the time of sale to the end user. These warranties are limited warranties and do not cover abuse, modification or improper installation nor do they cover finish failure caused by caustic cleaning agents, road salts or other chemicals. T-REX Truck Products reserves the right to repair or replace a defective product at its sole discretion. Any T-REX product must be returned to T-REX for warranty consideration and must be returned at the customer's expense. In the event that the product is deemed to be defective, the repaired or replaced item will be returned via a surface shipping method to the customer at T-REX Truck Products expense. No provision is made for any labor, rental car or other costs incurred by the failure of its products.

LED LIGHTING EQUIPMENT INSTALLATION / DISCLAIMER

WARNING

PLEASE CONSULT YOUR LOCAL AUTOMOTIVE ELECTRICAL PROFESSIONAL FOR INSTALLATION SERVICES AND ADVICE. T-REX IS ONLY EQUIPPED TO PROVIDE BASIC TECHNICAL ASSISTANCE DUE TO THE DIVERSITY OF VEHICLES, VEHICLE OPTIONS & MODIFICATIONS AND LIGHTING CONFIGURATION OPTIONS AVAILABLE. T-REX Truck Products cannot be held liable due to improper component installation and / or faulty wiring.

GENERAL GUIDELINES

LED Lights & LED Light Bars operate at relatively high currents and should only be installed by qualified personnel with experience in switched / relayed high draw DC Circuits.

- Light Bars are designed for use only with standard 12v DC power systems
- Light Bars are for OFF-ROAD USE ONLY. Check your local laws & regulations regarding vehicle mounted lights.
- Some Light Bars are equipped with waterproof connectors while others are simply pig-tailed
- Red Wires = POSITIVE | Black Wires = NEGATIVE
- ALWAYS install your lights on a fused circuit. Basic fusing guidelines: maximum 5A for every 10" of LED Light Bar.

GENERAL USE, INSTALL AND ADJUSTMENT TIPS

NOTE 1: T-Rex Torch Series Grilles (with LED Light Bars installed), and LED Light Bars themselves are for OFF-ROAD USE ONLY.

NOTE 2: Light Bars in Torch Series Grilles are installed flush with the grille from the factory. This may or may not be the ideal angle for each light depending on the configuration of your vehicle and its options and/or modifications. To adjust the angle of your light bars simply loosen the mounting hardware on either side of each Light Bar, rotate the Light Bar to adjust the angle, then tighten the hardware once the desired angle is achieved (please be careful not to over-tighten the mounting hardware or scratch the protective powder-coat finish). It is best to adjust the angle with the vehicle on level ground with the lights facing a wall, garage door or other solid barrier at a distance of approximately 25-30 feet.

NOTE 3: Please consult a qualified automotive electrical professional for light bar wiring installation.

NOTE 4: An optional universal wiring harness (part# 639HAR1) is also available that includes high-heat & oil/fuel resistant wires, waterproof connector, 12v relay, 12v rocker switch, inline fuse holder. Our universal wiring harness significantly expedites the installation process but is not a vehicles specific "Plug & Play" product and does not eliminate the need for a professional installation.

Please contact your local T-Rex dealer for more information or visit www.trexbill.com.

GRILLE CARE INFORMATION

GRILLE CARE INFORMATION

T-REX grilles are finest in the industry but do require normal care. Wash regularly as you would when caring for your vehicles. Never use dish soap.

POLISHED FINISH

T-REX polished grilles should be waxed at the same time that you wax the vehicle and can be cleaned with soap and water. A polished finish can be cared for in the same fashion that would care for your vehicles factory chrome. Never leave wet water spots as that may leave a blemish.

MATTE BLACK FINISH

Paint warranty applies to defects in material and / or workmanship, it does not cover the matte finish surface appearance.

To enjoy the matte appearance for many years to come, please follow these owner care and maintenance tips.

Get a no-shine matte car wash soap that uses no fillers, no silicone, and won't strip your matte paint of its layer of protection.

Do not use wax, detail spray, armorall®, or any products made for normal paint. Use only products specifically developed for matte finish paint. Do not use products that are even mildly abrasive, such as polishes, glazes, or rubbing compounds. Do not use mechanical cleaners or polishers. Do not use terrycloth, cloth, or paper towels. Do not rub the finish vigorously, this will burnish the paint finish, causing a permanent shiny spot. Shiny spots cannot be removed.

Do not use commercial car wash facilities or their shine enhancement products. Most car wash brushes, large mechanized "towels," and shine enhancement products can damage matte paint.

Remove foreign substances such as insect remains, tar, and road debris using a soft applicator and a mild solvent; saturate and soak area before cleaning—rub lightly.

Hand-wash with a soft wash mitt and mild cleaning product safe for matte paint. Use microfiber cleaning cloths with alcohol-based window cleaner for basic surface clean-up.

GLOSS BLACK FINISH

T-Rex Grilles with Gloss Black Powder Coated Finish may be washed regularly as you would when caring for your vehicles finish using soap and water. T-REX grilles should be waxed at the same time that you wax the vehicle. As a general rule, anything you use to clean your vehicles painted surfaces can be used to clean and maintain your T-REX grille. A Gloss powder Coated Finish can be cared for in the same fashion that you would care for your vehicles factory paint job. Never leave wet water spots as that may leave a blemish.