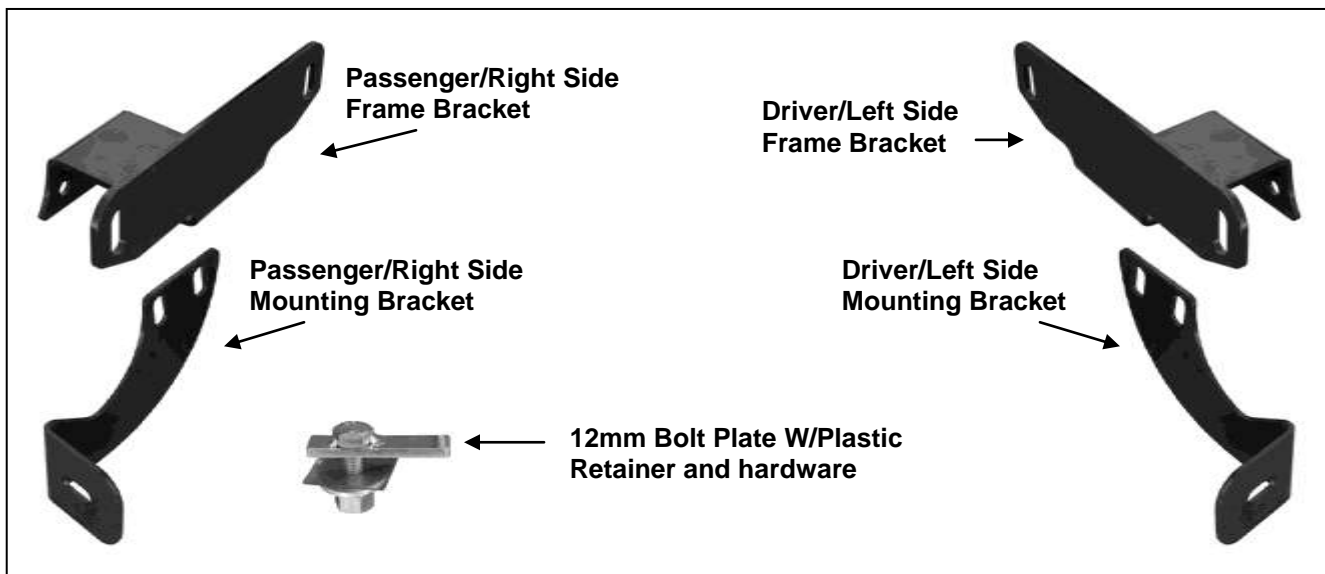


**PARTS LIST:**

1	Bull Bar	2	12-1.75mm x 50mm Hex Bolts
1	Driver/Left Frame Bracket	4	12-1.75mm x 30mm Hex Bolts
1	Passenger/Right Frame Bracket	6	12mm Lock Washers
1	Driver/Left Mounting Bracket	4	14mm x 43mm x 43mm x 5mm Large Washers
1	Passenger/Right Mounting Bracket	6	12mm x 37mm OD x 3mm Flat Washers
2	12mm x 30mm Bolt Plates	8	12mm x 24mmOD x 2.5mm Flat Washers
2	12mm Plastic Retainers	4	12mm Hex Nuts
4	12-1.75mm x 100mm Hex Bolts	4	12mm Nylon Lock Nuts



**PROCEDURE:**

- 1. REMOVE CONTENTS FROM BOX. VERIFY ALL PARTS ARE PRESENT. READ INSTRUCTIONS CAREFULLY BEFORE STARTING INSTALLATION. CUTTING MAY BE REQUIRED.** It may be necessary to remove/relocate front license plate and license plate bracket. It is not required, but strongly recommended. If local/state law requires a license plate, license plate relocation kit is available.
- Remove the plastic spoiler and splash guard-if equipped. **NOTE:** The lower spoiler and splash guard will need to be trimmed to fit around the Bull Bar and Brackets after the Bull Bar has been completely installed and properly aligned.  
**NOTE: Vehicles equipped with "Off Road Suspension/Z71 option."** Remove factory bolts securing frame crossbar to brackets welded onto the bottom of the frame channel. Remove crossbar and plastic splash guard, (**Figure 1**).
- Select the right/passenger Mounting Bracket and Frame Bracket.
  - 04-11 models with (2) holes completely through each frame channel:** Starting from the outside of the frame, insert (2) 12mm x 100mm Hex Bolts with (2) Large Spacer Washers through the factory holes in the frame. Position the right/passenger side

**BULL BAR**  
**04-11 CHEVY COLORADO / GMC CANYON**  
**(INCLUDES VEHICLES W/OFF ROAD SUSPENSION PACKAGE)**

Frame Bracket up to the inside of the frame rail and over the (2) Hex Bolts. Secure the Bracket to the Bolts with (2) 12mm Lock Washers, (2) 12mm Large Flat Washers, and (2) 12mm Hex Nuts, (**Figures 3 - 5**). Do not tighten hardware. Repeat this Step for driver side Frame Bracket installation.

- b. 09-11 models with only (1) forward hole through each frame channel and (1) on inside of frame channel only:** From the outside of the frame, insert (1) 12mm x 100mm Hex Bolt with (1) Spacer Washer through the forward holes in the frame, (**Figures 3, 4 & 6**). Select the right/passenger side Frame Bracket. Secure the Bracket to the Hex Bolt with (1) 12mm Lock Washer, (1) 12mm Large Flat Washer and (1) 12mm Hex Nut. Leave hardware loose. Select (1) 12mm Bolt Plate and (1) Plastic Retainer, (**Figures 2A & 2B**). Thread the Plastic Retainer part way onto the Bolt Plate. Insert the Bolt Plate into the rear hole in the inside (only) of the frame channel and continue to thread the Retainer down the Bolt Plate until it is tight against the frame.  
**NOTE:** The Plastic Retainer is designed to prevent the Bolt Plate from falling into the frame channel and to aid in Bracket installation. Position the right/passenger side Frame Bracket over the Bolt Plate. Secure the Bracket to the Bolt Plate with (1) 12mm Lock Washer, (1) 12mm Large Flat Washer and (1) 12mm Hex Nut, (**Figures 3 & 6**). Do not tighten hardware at this time. Repeat this Step for driver side Frame Bracket installation.
4. Next, select the passenger/right side Mounting Bracket. Line up the Mounting Bracket with the inside of the Frame Bracket. Bolt the Brackets together with (2) 12mm x 30mm Hex Bolts, (4) 12mm x 24mm Small Flat Washers and (2) 12mm Nylon Lock Nuts, (**Figures 3 & 4**). Snug but do not tighten hardware at this time. Repeat this Step for driver side Mounting Bracket installation.
  5. Reinstall the factory frame crossbar removed in **Step 3a, (Figure 1)**.
  6. With assistance, carefully position the Bull Bar up to the Mounting Brackets. Attach the Bull Bar to the Mounting Brackets with the included (2) 12mm x 50mm Hex Bolts, (2) 12mm Lock Washers and (2) 12mm Large Flat Washers, (**Figure 5 or 6**). Do not tighten hardware.
  7. Align and adjust the Bull Bar as necessary and tighten all hardware. Reinstall the lower spoiler if desired. **NOTE:** It may be necessary to temporarily remove the Bull Bar to reinstall the spoiler. Cut/trim the bottom of the spoiler to clear the Bull Bar as necessary. Also, trim any plastic splash guards as required to clear the Mounting Brackets. Remove as little material as possible to clear the Brackets only.
  8. Do periodic inspections to the installation to make sure that all hardware is secure and tight.

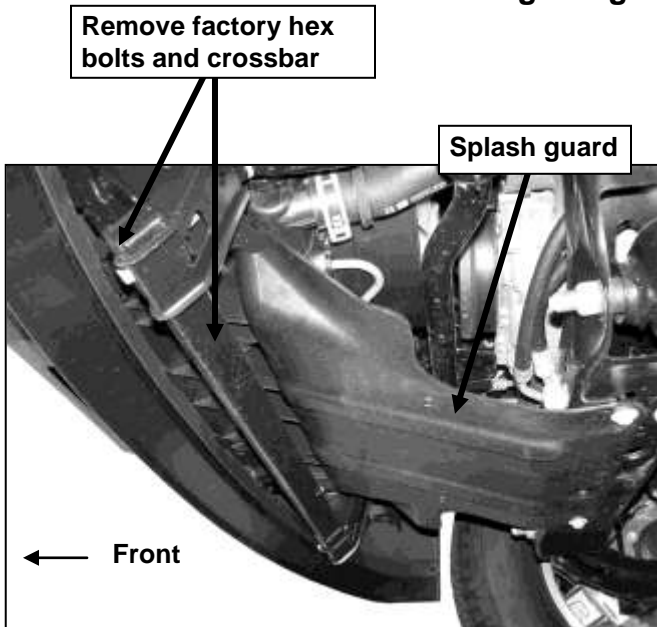
**To protect your investment**, wax this product after installing. Regular waxing is recommended to add a protective layer over the finish. Do not use any type of polish or wax that may contain abrasives that could damage the finish.

**For stainless steel:** Aluminum polish may be used to polish small scratches and scuffs on the finish. Mild soap may be used also to clean the Bull Bar.

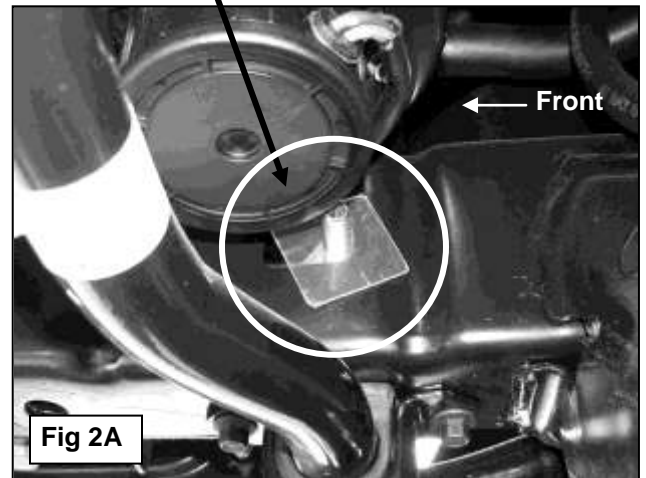
**For gloss black finishes:** Mild soap may be used to clean the Bull Bar.

**BULL BAR**  
**04-11 CHEVY COLORADO / GMC CANYON**  
**(INCLUDES VEHICLES W/OFF ROAD SUSPENSION PACKAGE)**

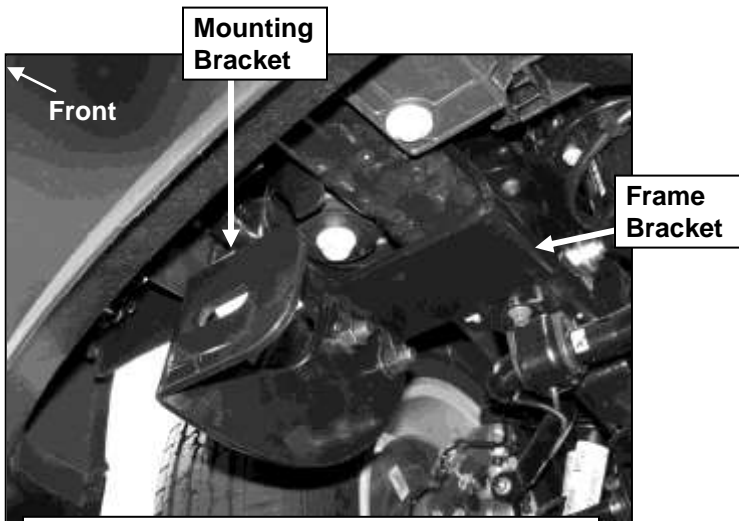
**Passenger/Right Side Installation Pictured**



**(Fig 1) Splash guard and chassis cross bar on "Off Road Suspension/Z71" optional package pictured**

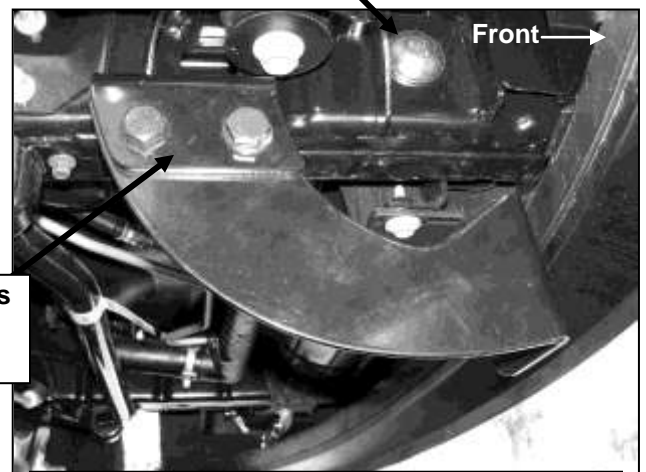


**12mm x 100mm Hex Bolt  
12mm Spacer Washer**



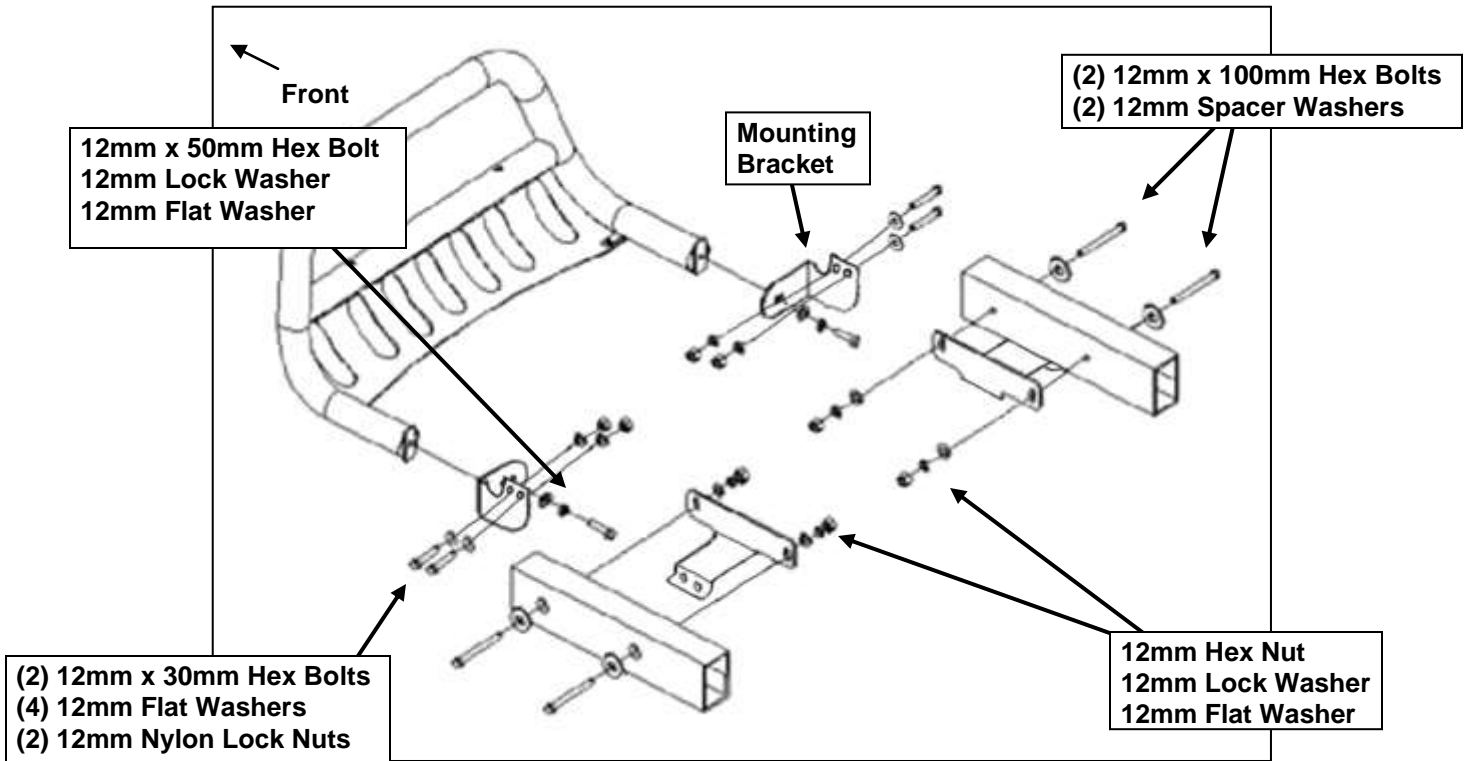
**(Fig 3) Passenger side pictured from below**

- (2) 12mm x 30mm Hex Bolts**
- (4) 12mm Flat Washers**
- (2) 12mm Nylon Lock Nuts**

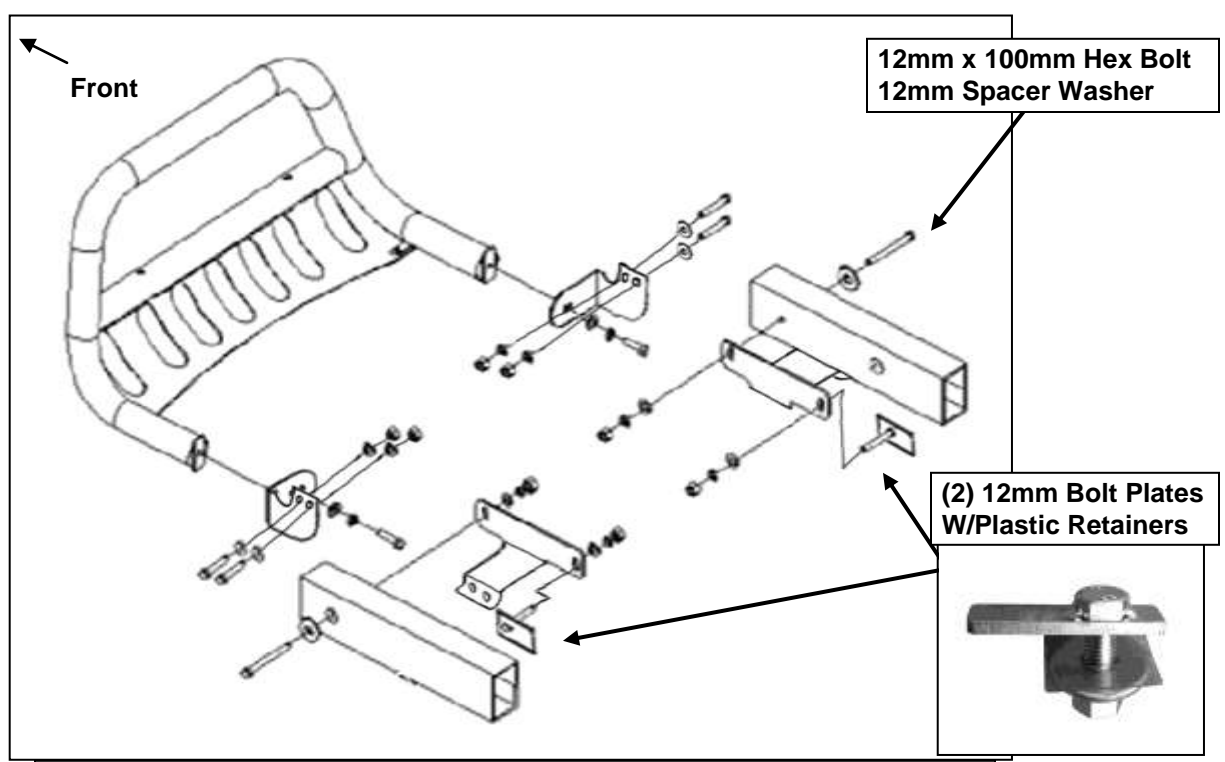


**(Fig 4) Passenger side pictured from outside**

**BULL BAR**  
**04-11 CHEVY COLORADO / GMC CANYON**  
**(INCLUDES VEHICLES W/OFF ROAD SUSPENSION PACKAGE)**



**(Fig 5) 04-11 models with (2) holes completely through each frame channel**



**(Fig 6) 09-11 models with only (1) forward hole completely through each frame channel and (1) on inside of frame channel only**