



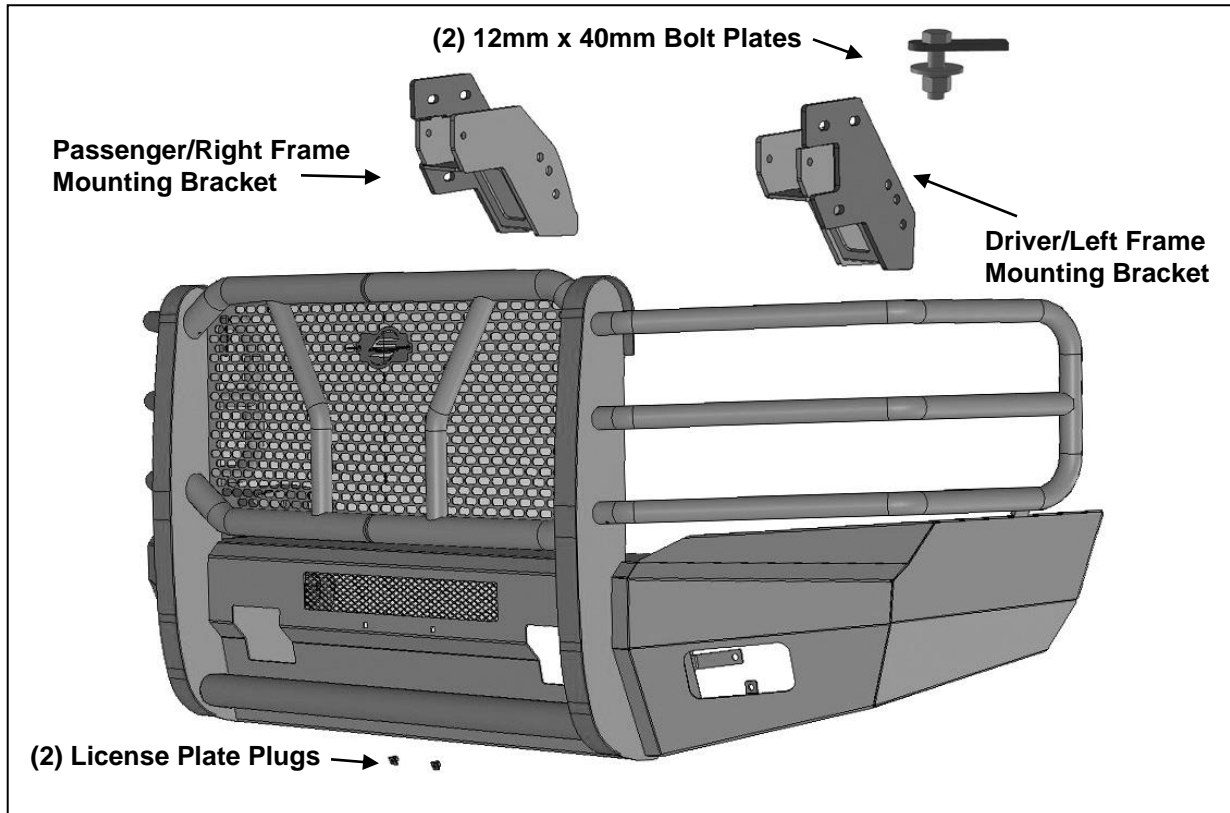
# **INSTALLATION INSTRUCTIONS**

## **ELEVATION FRONT BUMPER**

**2011-14 CHEVY SILVERADO 25-3500**

**PARTS LIST:**

1	Heavy Duty Front Bumper Assembly	6	12-1.75mm x 50mm Hex Bolts
1	Driver Mounting Bracket	30	12mm x 37mm OD x 3mm Flat Washers
1	Passenger Mounting Bracket	16	12mm Lock Washers
2	12mm x 40mm Bolt Plates	16	12mm Hex Nuts
8	12-1.75mm x 150mm Hex Bolts	2	Plastic Plugs for License Plate



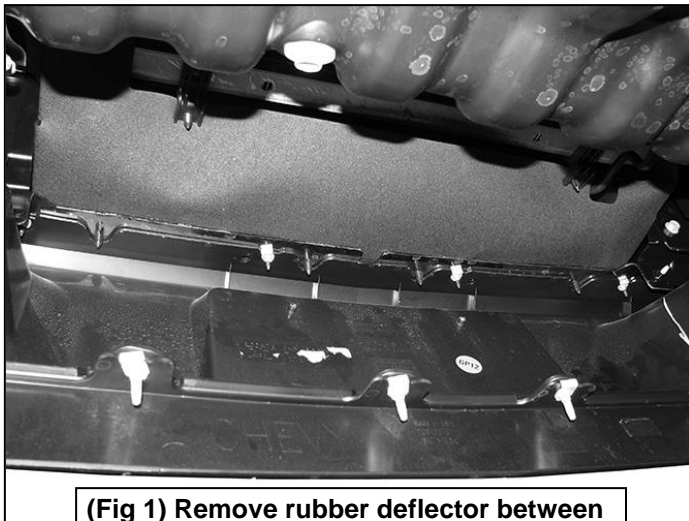
**PROCEDURE:**

**REMOVE CONTENTS FROM BOX. VERIFY ALL PARTS ARE PRESENT. READ INSTRUCTIONS CAREFULLY BEFORE STARTING INSTALLATION. BUMPER IS HEAVY, ASSISTANCE IS HIGHLY RECOMMENDED TO AVOID POSSIBLE INJURY OR DAMAGE TO THE VEHICLE.**

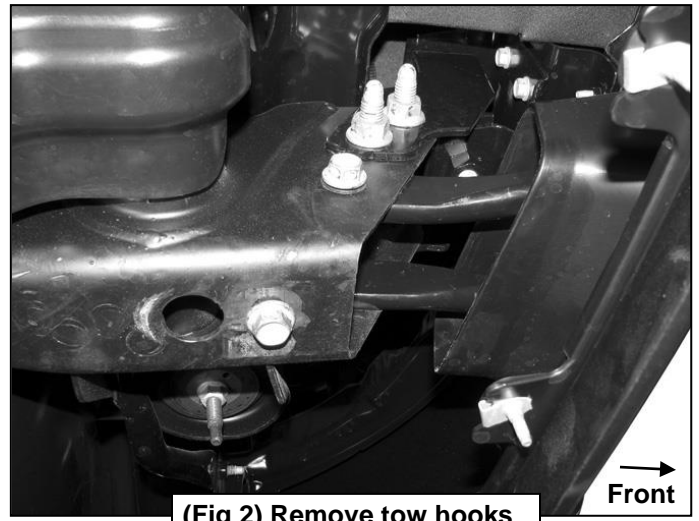
1. Remove the license plate and bracket. On models with factory fog lights, unplug both lights. Release the wiring harness from the clips attached to the back of the bumper. Move harness away from bumper.
2. Release the rubber air deflector from the back of the bumper and remove from vehicle, **(Figure 1)**. Next, remove the hardware at each end of the bumper attaching the bumper supports to each side of the frame, **(Figure 2)**. Remove the plastic fascia panel from the top of the bumper.
3. Place blocks or jack stands under the front bumper to support it during mounting bolt removal. Once the bumper has been safely supported, from above, remove the long factory bumper bolts attaching brackets to frame, **(Figure 2)**. **NOTE:** Access to bumper brackets may be easier with grille also removed. **WARNING!** Assistance is required to hold the bumper in place during bolt removal to prevent the bumper from falling. Carefully slide the bumper with brackets attached off of the end of the frame. Remove any remaining bumper brackets from end of frame.
4. Remove both tow hooks if equipped.
5. Next, slide the passenger side Frame Bracket over the end of the frame. Attach the Bracket to the frame with the included (3) 12mm x 150mm Hex Bolts, (6) 12mm Flat Washers, (3) 12mm Lock Washers and (3) 12mm Hex Nuts, **(Figures 3 & 6)**. Insert (1) 12mm Bolt Plate into and down through the hole in the bottom of the frame and out through the Bracket. Secure with (1) 12mm Flat Washer, (1) 12mm Lock Washer and (1) 12mm Hex Nut, **(Figure 3)**. Do not fully tighten Bracket hardware.

6. Select (1) tow hook. Insert the tow hook into the opening in the passenger side Frame Bracket. Insert (1) 12mm x 150mm Hex Bolt and (1) 12mm Flat Washer through the outside of the Bracket, the tow hook and the inner plate on the Bracket, **(Figure 4)**. Secure with (1) 12mm Flat Washer, (1) 12mm Lock Washer and (1) 12mm Hex Nut. **IMPORTANT:** The Long Hex Bolt and Flat Washer must be inserted from the outside of the Bracket to the inside to clear the mounting plate on the Bumper. Reuse the short factory hex bolt for the tow hook to attach the tow hook to the bottom plate on the Bracket. Tighten tow hook hardware only.
7. Repeat **Steps 5 & 6** to install the driver side Mounting Bracket and tow hook.
8. With assistance, position the Bumper Assembly up to and over the Brackets. Temporarily support the weight of the Bumper. **WARNING:** To avoid possible injury or damage to the vehicle, do not proceed until the Bumper is fully and safely supported.
9. Line up the (3) holes in the passenger side mounting plate on the inside of the Bumper with the (3) slots in the Frame Bracket. Attach the Bumper to the Bracket with the included (3) 12mm x 50mm Hex Bolts, (6) 12mm Flat Washers, (3) 12mm Lock Washers and (3) 12mm Hex Nuts, **(Figures 5 & 6)**. Do not fully tighten hardware at this time. Repeat this Step to attach the driver side mounting plate to the Frame Bracket.
10. Level and adjust the bumper and fully tighten all hardware to 65-70ft-lbs.
11. **Models with fog lights:**
  - a. Slide the light into place through the opening in the bumper. Push the attaching posts into the tabs on the bumper, **(Figure 7)**. Repeat this Step to install remaining light.
  - b. Reattach the factory wiring harness to both lights.
12. Use the included (2) push-in Plastic Nuts to attach the front license plate, (if required), to the (2) holes in the front Bumper, **(Figure 8)**.
13. Do periodic inspections to the installation to make sure that all hardware is secure and tight.

**To protect your investment**, wax this product after installing. Regular waxing is recommended to add a protective layer over the finish. Do not use any type of polish or wax that may contain abrasives that could damage the finish. Mild soap may be used to clean the Heavy Duty Front Bumper assembly.



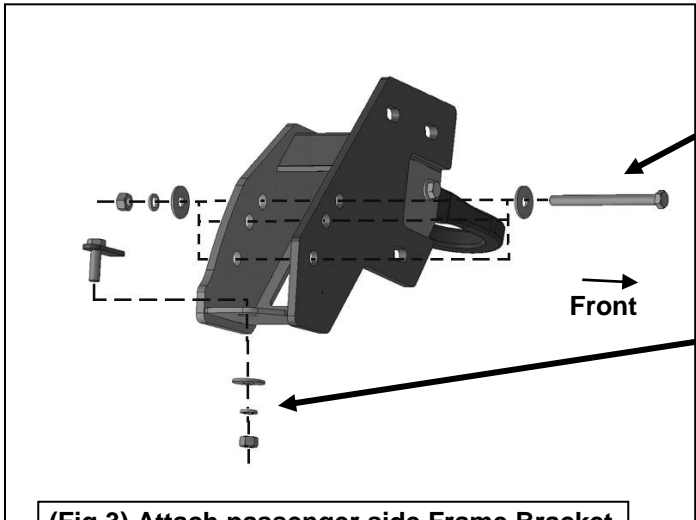
**(Fig 1) Remove rubber deflector between back of bumper and bottom of radiator. Pictured from below-under front bumper.**



**(Fig 2) Remove tow hooks**

**WARNING!** Do not remove bumper bolts unless the bumper is properly supported on blocks or stands or the bumper may fall.

Passenger Side Installation Pictured



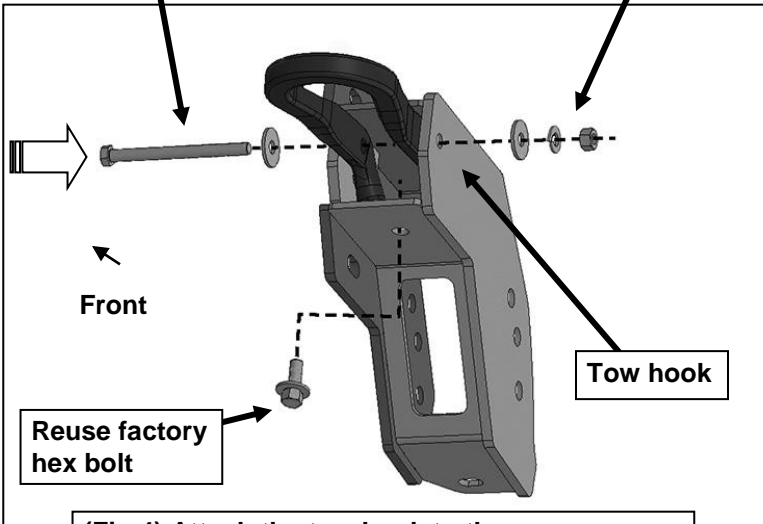
- (3) 12mm x 150mm Hex Bolts
- (6) 12mm Flat Washers
- (3) 12mm Lock Washers
- (3) 12mm Hex Nuts

- 12mm Bolt Plate
- 12mm Flat Washer
- 12mm Lock Washer
- 12mm Hex Nut

- 12mm x 150mm Hex Bolt
- 12mm Flat Washer

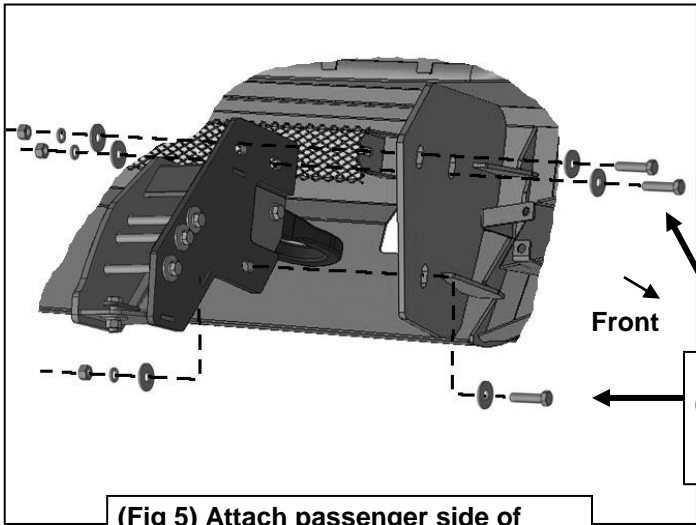
- 12mm Flat Washer
- 12mm Lock Washer
- 12mm Hex Nut

(Fig 3) Attach passenger side Frame Bracket assembly to end of frame (also see Fig. 6)



(Fig 4) Attach the tow hook to the passenger side Frame Bracket. **IMPORTANT:** Insert 12mm x 150mm Long Hex Bolt with (1) 12mm Flat Washer from outside to inside only

**WARNING!** Do not crawl under bumper unless the bumper is properly supported on blocks or stands or the bumper may fall.

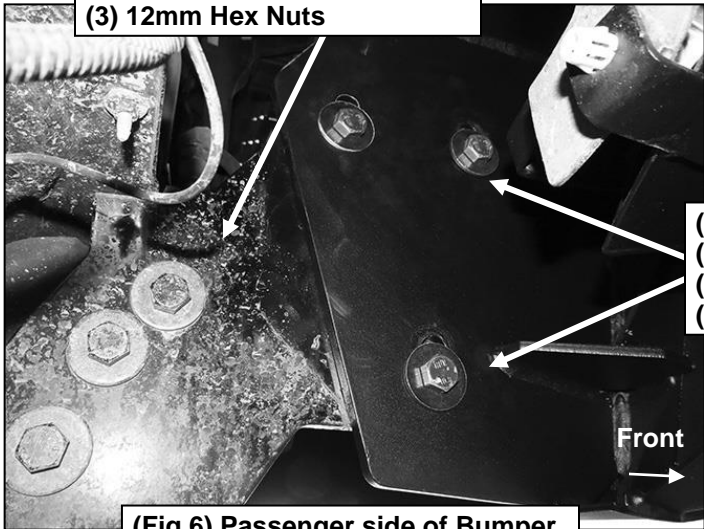


(Fig 5) Attach passenger side of Bumper to Frame Bracket assembly

- 12mm x 50mm Hex Bolt
- (2) 12mm Flat Washers
- 12mm Lock Washer
- 12mm Hex Nut

**Passenger Side Installation Pictured**

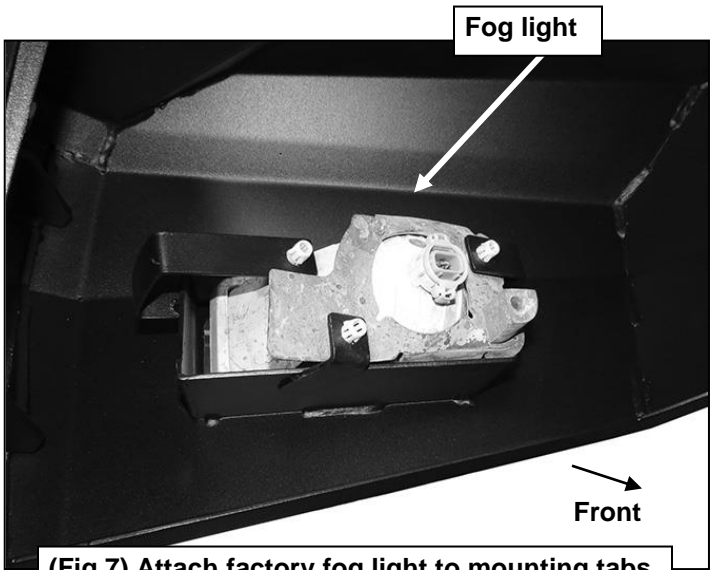
- (3) 12mm x 150mm Hex Bolts
- (6) 12mm Flat Washers
- (3) 12mm Lock Washers
- (3) 12mm Hex Nuts



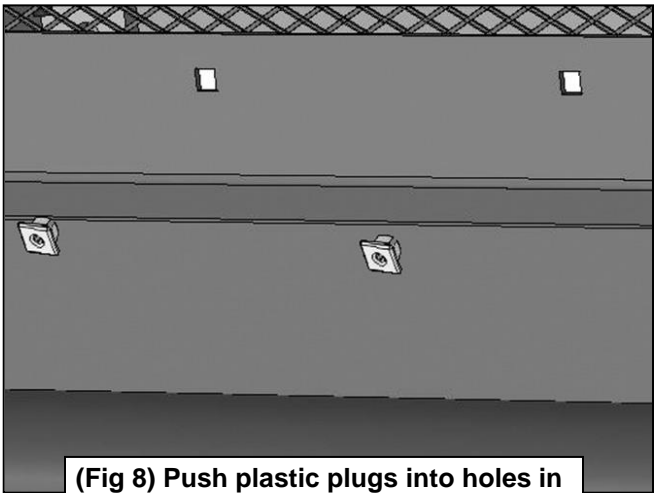
(Fig 6) Passenger side of Bumper and Bracket assembly pictured

**WARNING!** Do not crawl under bumper unless the bumper is properly supported on blocks or stands or the bumper may fall.

- (3) 12mm x 50mm Hex Bolts
- (6) 12mm Flat Washers
- (3) 12mm Lock Washers
- (3) 12mm Hex Nuts



(Fig 7) Attach factory fog light to mounting tabs



(Fig 8) Push plastic plugs into holes in Bumper for license plate if required

