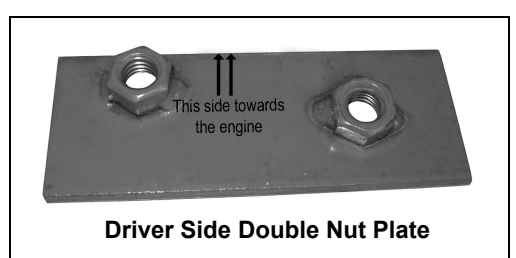
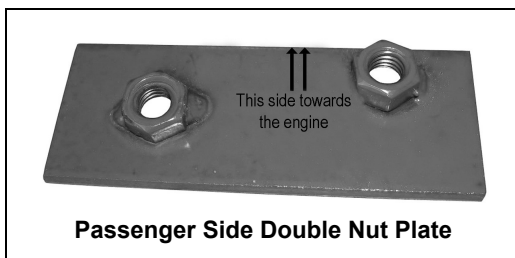
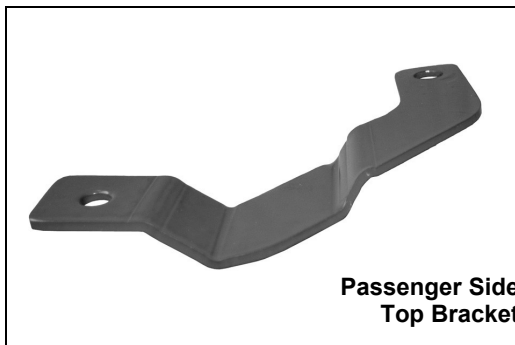
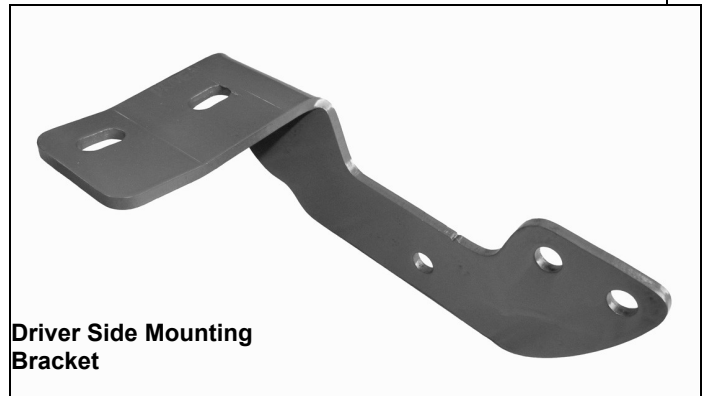
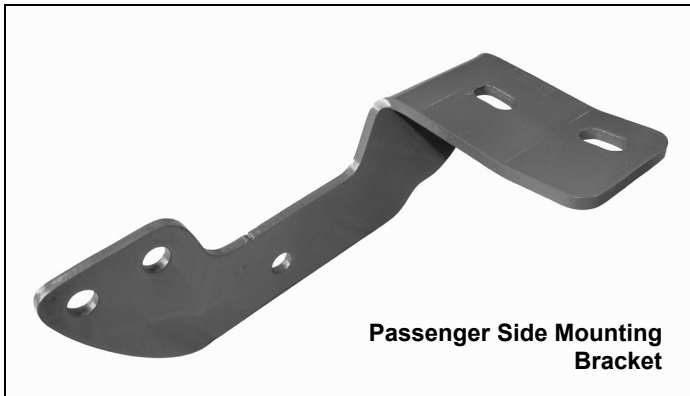


INSTALLATION INSTRUCTIONS

GRILLE GUARD 08 JEEP LIBERTY PART # 52170

PARTS LIST:

1	Grille Guard	10	12-1.75mm x 35mm Hex Head Bolts
1	Driver/Left Mounting Bracket	10	12mm Lock Washers
1	Passenger/Right Mounting Bracket	6	12mm Hex Nuts
1	Driver/Left Top Bracket	16	12mm ID x 29mm OD x 3mm Flat Washers
1	Passenger/Right Top Bracket	2	8-1.25mm x 20mm Button Bolts
1	Driver/Left 12mm Double Nut Plate	2	8mm Lock Washers
1	Passenger/Right 12mm Double Nut Plate	2	8mm Hex Nuts
2	1 1/4" x 2 1/4" Foam Tape Strips	2	8mm ID x 22mm OD x 1.5mm Flat Washers
		2	3/8" x 1" Self Tapping Bolts



PROCEDURE:

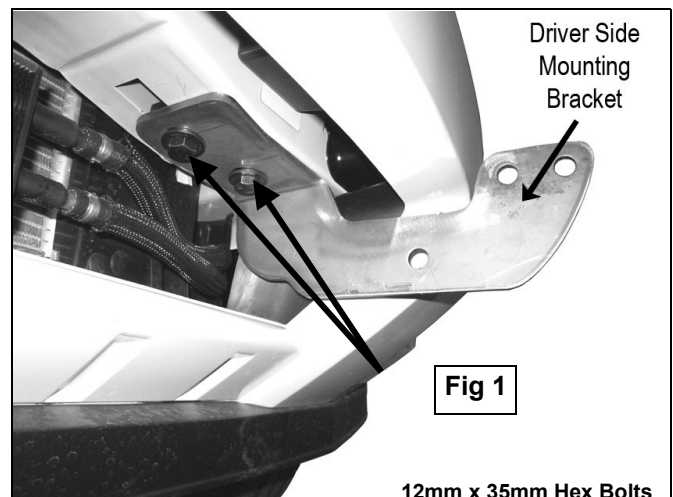
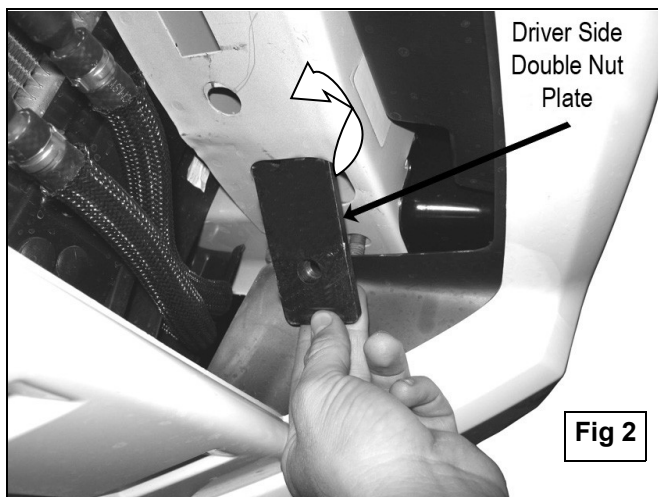
1. REMOVE CONTENTS FROM BOX. VERIFY ALL PARTS ARE PRESENT. READ INSTRUCTIONS CAREFULLY BEFORE STARTING INSTALLATION.
2. From underside of vehicle, remove factory tow hooks if equipped. **NOTE:** You will not be re-installing tow hooks back to the vehicle.
3. Through bumper air intake and with welded nuts facing up, insert driver side Double Nut Plate through existing larger square hole in the radiator support (**Figure 1**). Center holes on the Double Nut Plate with holes on the radiator support.
4. Partially hang driver side Mounting Bracket to already inserted Double Nut Plate using the included (2) 12mm x 35mm Hex Head Bolts, (2) 12mm Lock Washers, and (2) 12mm Flat Washers (**Figure 2**).
5. Repeat steps 3 & 4 for passenger side Mounting Bracket.
6. Locate driver side Top Bracket and attach the Foam Tape on the bottom side of Bracket as shown in **Figure 3**.
7. Open the hood and remove a Phillips plastic fastener on each side of the vehicle located in the color grille shell (**Figure 4**).
8. Loosely attach driver side Top Bracket to vehicle using the include (1) 3/8" x 1" Self Tapping Screw (**Figure 5**). **IMPORTANT:** Do not over tighten or a pull out may occur. Repeat this step for passenger side Top Bracket.
9. With help position Grille Guard on the inner side of Mounting Brackets. Attach Grille Guard to Mounting Brackets using the included (6) 12mm x 35mm Hex Head Bolts, (6) 12mm Lock Washers, (6) 12mm Hex Nuts, and (12) 12mm Flat Washers (**Figure 6**). Do not tighten at this time.
10. Attach Grille Guard to Top Brackets using the included (2) 8mm x 20mm Button Bolts, (2) 8mm Lock Washers, (2) 8mm Hex Nuts, and (2) 8mm Flat Washers (**Figure 7**).
11. Level and adjust Grille Guard properly; then tighten all hardware at this time.
12. Do periodic inspections to the installation to make sure that all hardware is secure and tight.

To protect your investment, wax this product after installing. Regular waxing is recommended to add a protective layer over the finish. Do not use any type of polish or wax that may contain abrasives that could damage the finish.

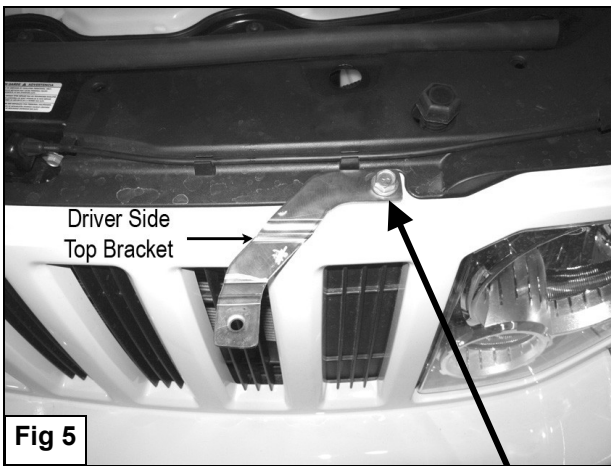
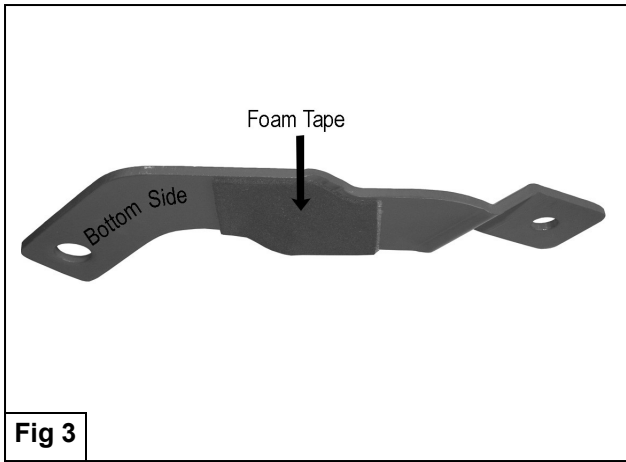
For stainless steel: Aluminum polish may be used to polish small scratches and scuffs on the finish. Mild soap may be used also to clean the Grille Guard.

For gloss black finishes: Mild soap may be used to clean the Grille Guard.

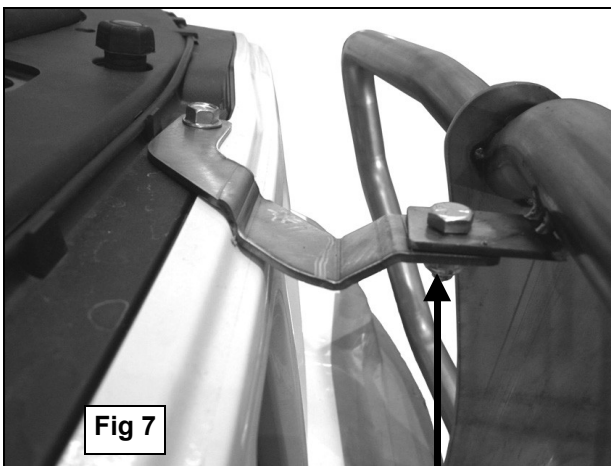
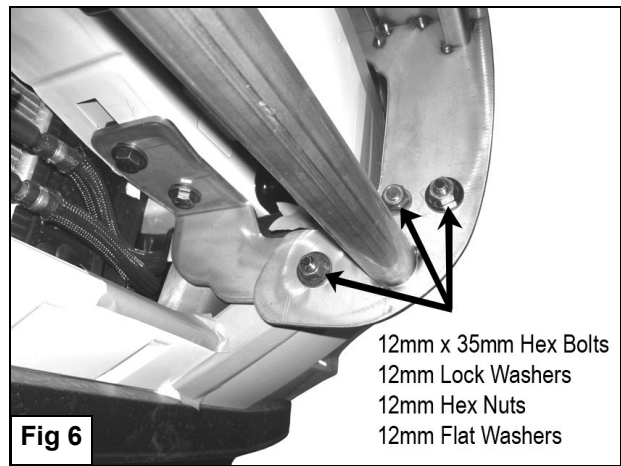
(Driver Side Installation Shown)



12mm x 35mm Hex Bolts
12mm Lock Washers
12mm Flat Washers



3/8" x 1" Self Tapping Screw



**8mm x 20mm Button Head Bolt
8mm Lock Washer
8mm Flat Washer
8mm Hex Nut**

