



PARTS LIST:

1	Grille Guard	4	8mm x 24mm ODx 2mm Flat Washers
1	Driver/Left Top Support Bracket	2	8mm Acorn Nuts
1	Passenger/Right Top Support Bracket	1	5mm Allen Wrench
2	8-1.25mm x 20mm Button Head Allen Bolts		

PROCEDURE:

- 1. REMOVE CONTENTS FROM BOX. VERIFY ALL PARTS ARE PRESENT. READ INSTRUCTIONS CAREFULLY. ASSISTANCE IS HIGHLY RECOMMENDED.**
- Starting on the passenger side, remove the factory tow D-ring and bracket and set aside, **(Figures 1 - 3)**. **NOTE:** In order to get to the factory tow hook mounting bracket, remove the large horizontal bolt, **(Figure 1)**. Repeat to remove the driver side tow hook and bracket.
- With assistance, position the Grille Guard up to the vehicle, **(Figure 4)**. Line up the brackets on the Grille Guard with the holes for the tow hook. Attach the Grille Guard and tow hook brackets to the bumper with the factory bolts removed in Step 2, **(Figure 4)**. Do not tighten at this time. **CAUTION:** Do not attempt to install Front Guard by yourself; doing so, you may damage the finish on the vehicle.
- Select the passenger side Top Bracket, **(Figure 5)**. Remove the factory bolt located in the outer grille opening on the passenger side, **(Figure 6)**. Line up the hole in the bent end of the passenger side Support Bracket with the mounting hole in the grille opening. Use the factory hex bolt to attach the Top Support Bracket to the vehicle. Line up the remaining mounting hole in the Top Bracket with the hole in the Grille Guard upright. Bolt the Bracket to the upright with the included (1) 8-1.25mm x 20 mm Button Head Bolt, (2) 8mm Flat Washers and (1) 8mm Acorn Nut, **(Figures 6 - 7)**. Do not tighten hardware at this time.
- Repeat Step 4 for driver side Top Support Bracket installation.
- Level and adjust the Grille Guard and tighten all hardware.
- Re-install the factory D-rings removed in Step 2 and tighten hardware.

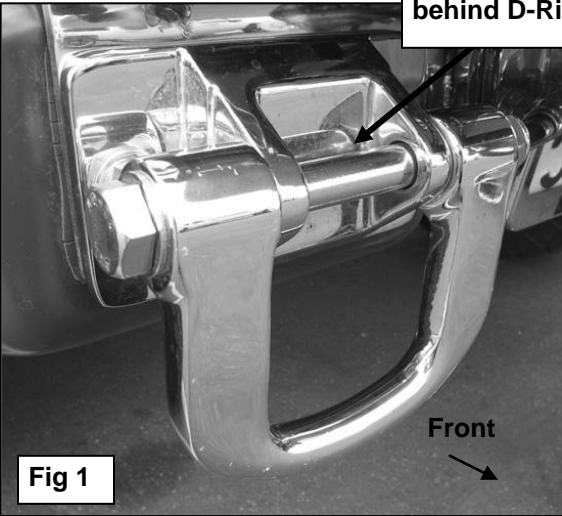
To protect your investment, wax this product after installing. Regular waxing is recommended to add a protective layer over the finish. Do not use any type of polish or wax that may contain abrasives that could damage the finish.

For stainless steel: Aluminum polish may be used to polish small scratches and scuffs on the finish. Mild soap may be used also to clean the Grille Guard.

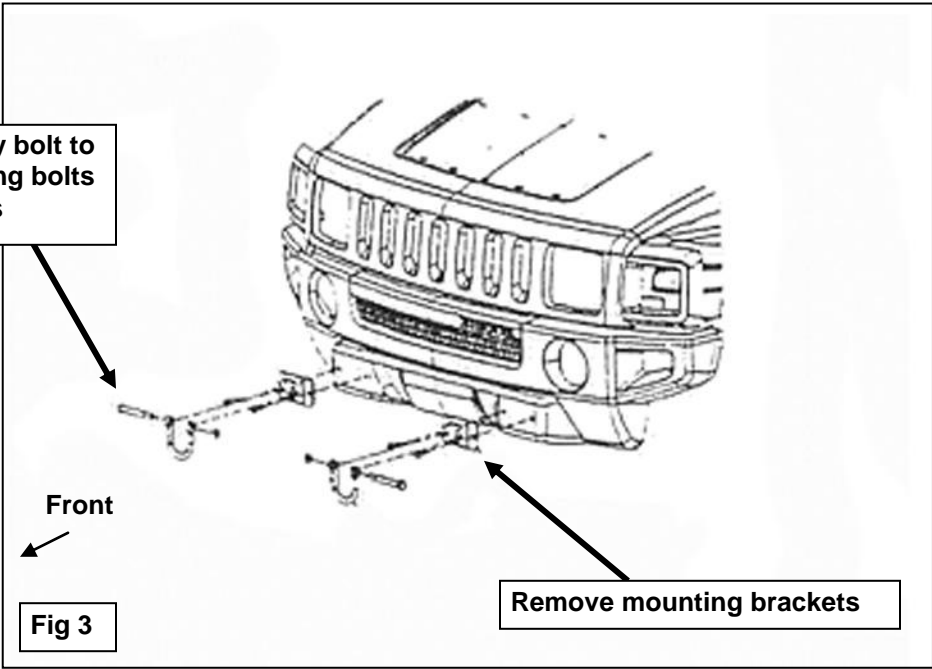
For gloss black finishes: Mild soap may be used to clean the Grille Guard.

Passenger side installation pictured

Remove factory bolt to access mounting bolts behind D-Rings



Remove factory bolt to access mounting bolts behind D-Rings



**GRILLE GUARD
06-10 HUMMER H3/ 09-10 H3T**

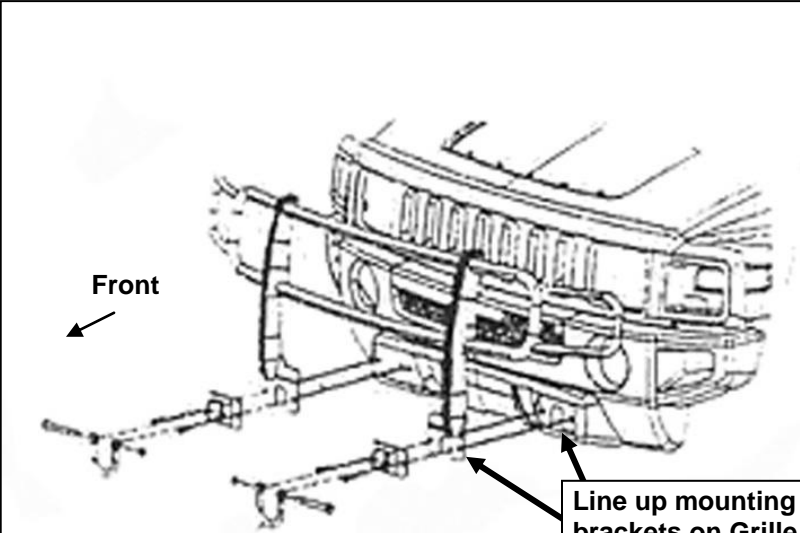


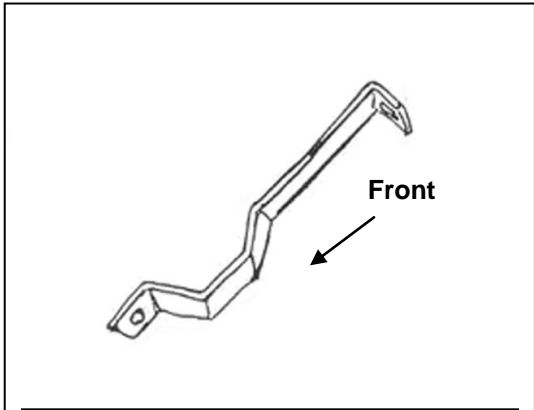
Fig 4

Line up mounting brackets on Grille Guard with tow hook mounting area



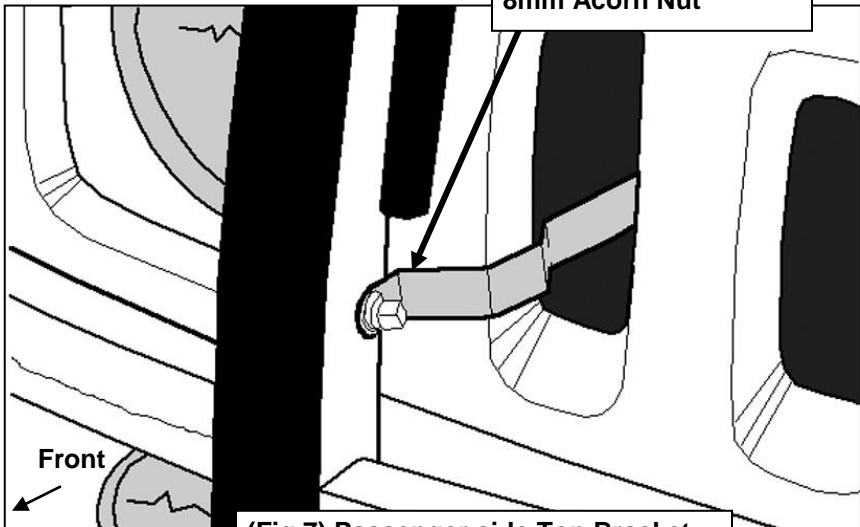
(Fig 6) Passenger side Top Bracket

Use factory hex bolt to attach Top Bracket to vehicle



(Fig 5) Passenger side Top Bracket

8mm x 20mm Button Head Bolt
(2) 8mm Flat Washers
8mm Acorn Nut



(Fig 7) Passenger side Top Bracket