



OMIX-ADA, Inc.

Part # 11585.06

460 HORIZON DR. SUITE 400 | SUWANEE, GA 30024 | PHONE: 770-614-6101 | FAX: 844-270-0593 | www.Omix-ADA.com

# LED Third Brake Light Ring PATENT PENDING



## Components

- |                               |     |                |     |
|-------------------------------|-----|----------------|-----|
| 1. LED Third Brake Light Ring | (1) | 3. Heat Shrink | (1) |
| 2. Butt Connector             | (2) |                |     |

**OMIX-ADA® TECHNICAL SUPPORT**

**PHONE: M-F 8am - 5pm EST 1-800-449-6649**

**FOR WARRANTY OR TECH CONCERNS EMAIL: [webmaster@omixsupport.com](mailto:webmaster@omixsupport.com)**



OMIX-ADA, Inc.

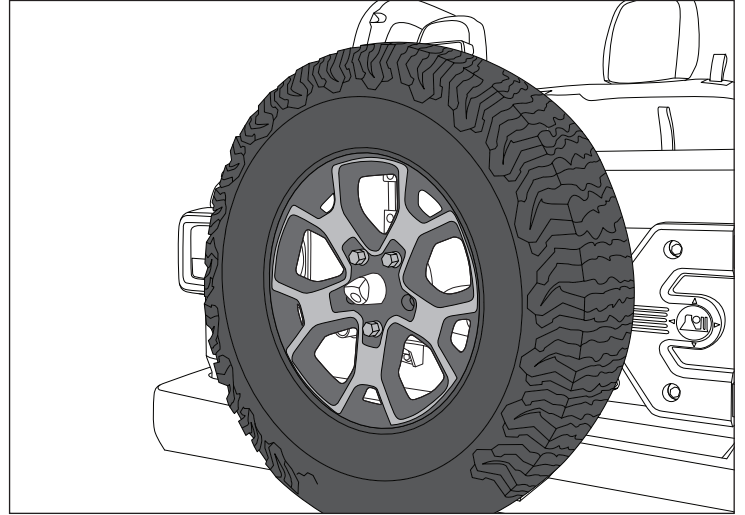
460 HORIZON DR. SUITE 400 | SUWANEE, GA 30024 | PHONE: 770-614-6101 | FAX: 844-270-0593 | www.Omix-ADA.com

## LED Third Brake Light Ring

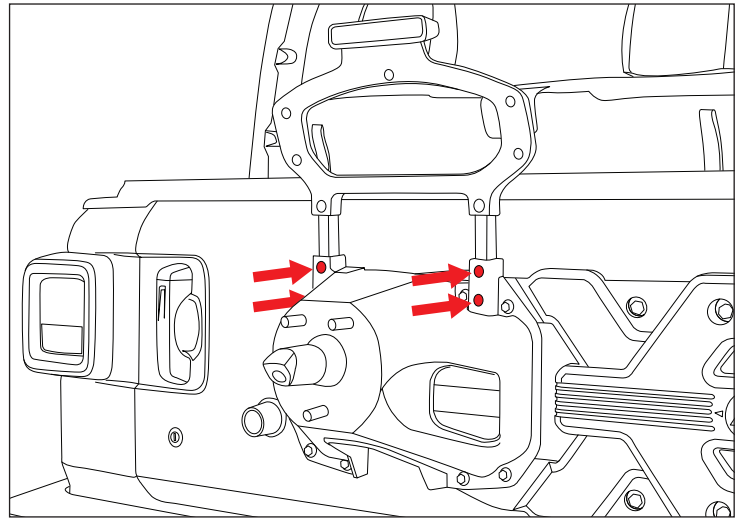
1. Remove spare tire



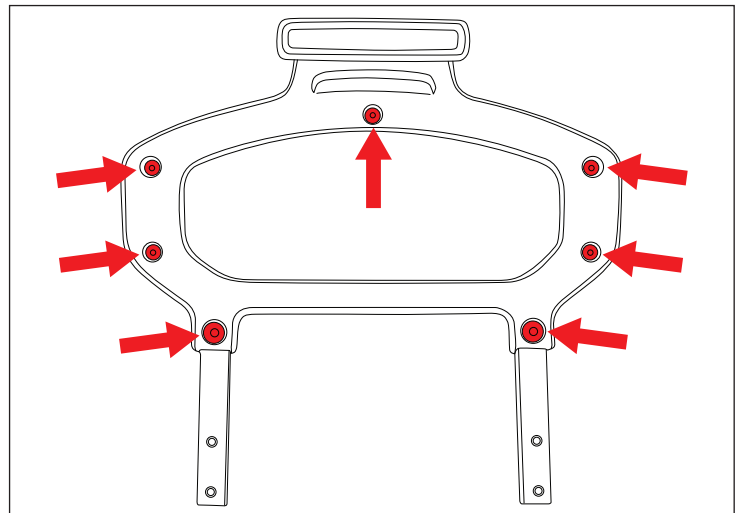
Have another person help lift tire on wheel mount.



2. Remove four screws securing factory third brake light mount to tire carrier.



3. Remove seven screws securing backing plate to third brake light mount.



**Rugged  
Ridge**



OMIX-ADA, Inc.

**Alloy**  
USA

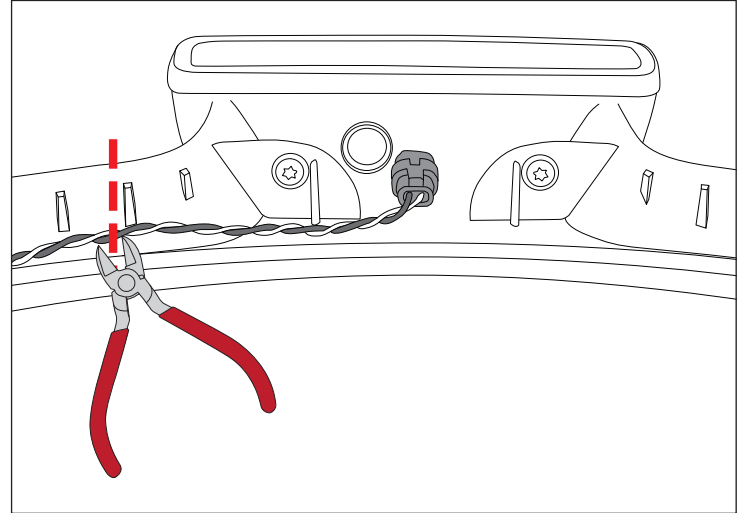
460 HORIZON DR. SUITE 400 | SUWANEE, GA 30024 | PHONE: 770-614-6101 | FAX: 844-270-0593 | www.Omix-ADA.com

## LED Third Brake Light Ring

4. Disconnect battery and cut factory third brake light wires 6" from plug.

### **WARNING**

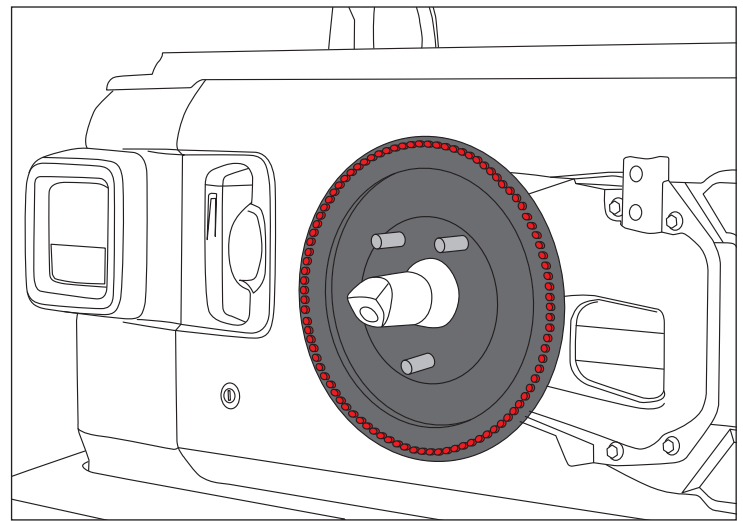
When removing battery cables do not touch positive and negative terminals together.



5. Install LED Third Brake Light Ring on tire carrier.

### **NOTICE**

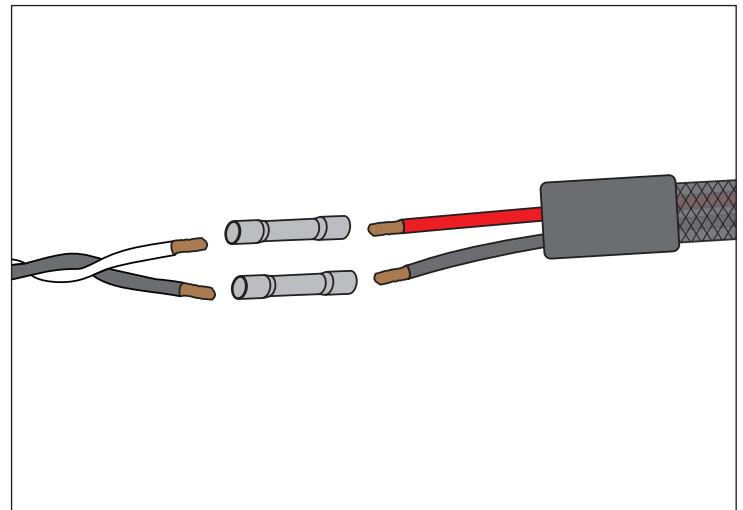
This product is designed for press fitment. It is not unusual to require a forceful push to install.



6. Slide supplied heat shrink over LED Third Brake Light Ring wire loom and splice LED Third Brake Light Ring in place using supplied heat shrink butt connectors.

### **WARNING**

LED Ring is not a DOT approved third brake light. Check with state and federal ordinances regarding third brake light use.



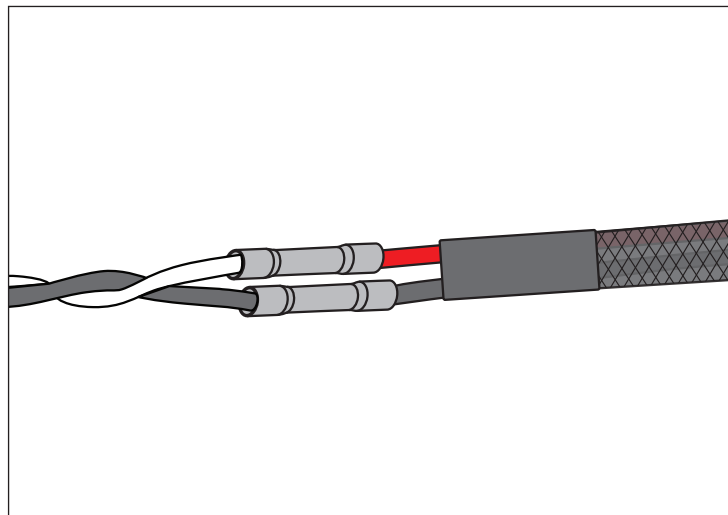


OMIX-ADA, Inc.

460 HORIZON DR. SUITE 400 | SUWANEE, GA 30024 | PHONE: 770-614-6101 | FAX: 844-270-0593 | www.Omix-ADA.com

## LED Third Brake Light Ring

7. Use supplied heat shrink to seal wire loom to wires. Reconnect battery and depress brake pedal to check for brake light functionality.



8. Install spare tire and torque lug nuts to factory specification.

**CAUTION** Have another person help lift tire on wheel mount.

**WARNING** Failure to tighten lug nuts to proper torque specification could result in serious injury or property damage.

