



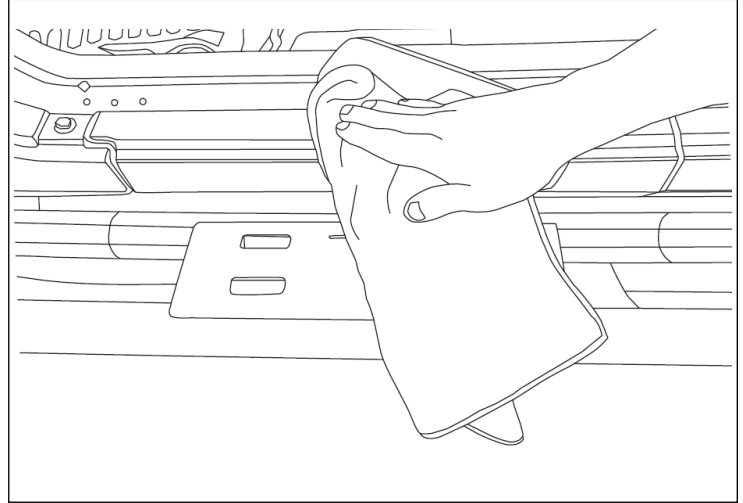
OMIX-ADA, Inc.

460 HORIZON DR. SUITE 400 | SUWANEE, GA 30024 | PHONE: 770-614-6101 | FAX: 770-614-6069 | info@omix-ada.com

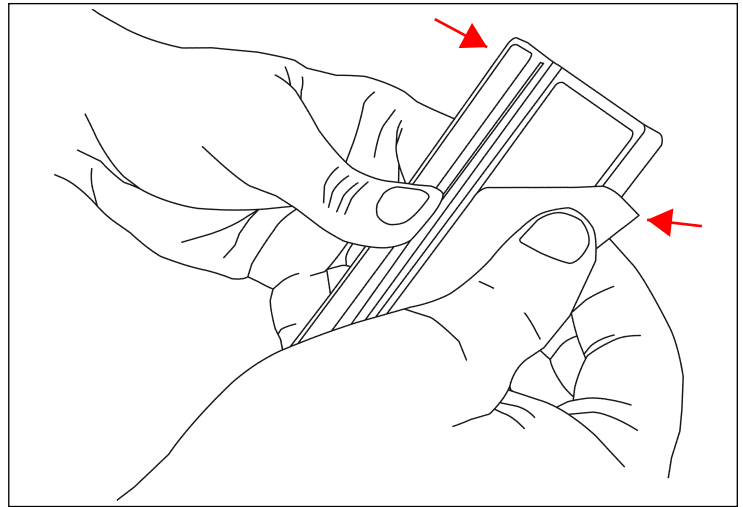
Door Entry Guard

1. Clean mounting surface area with rubbing alcohol.

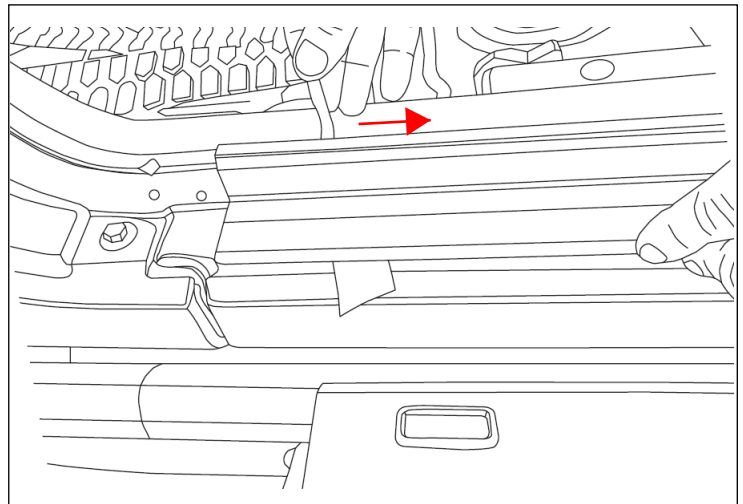
NOTE: Failure to clean will result in poor adhesion of the product.



2. Test fit the product to the vehicle before removing tape liner. This will aid in aligning the item before adhesion. Pull all tape liners back 1 inch.



3. Install the product in the proper mounting position while keeping the partially removed liner ends accessible. Pull top tape toward the rear of the vehicle.



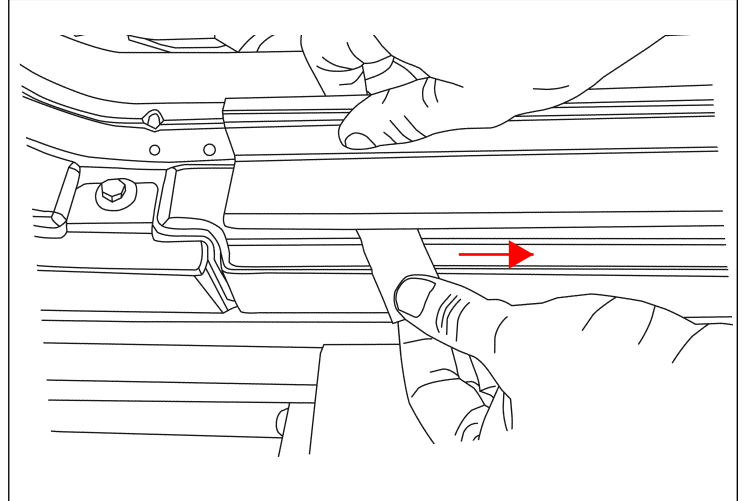


OMIX-ADA, Inc.

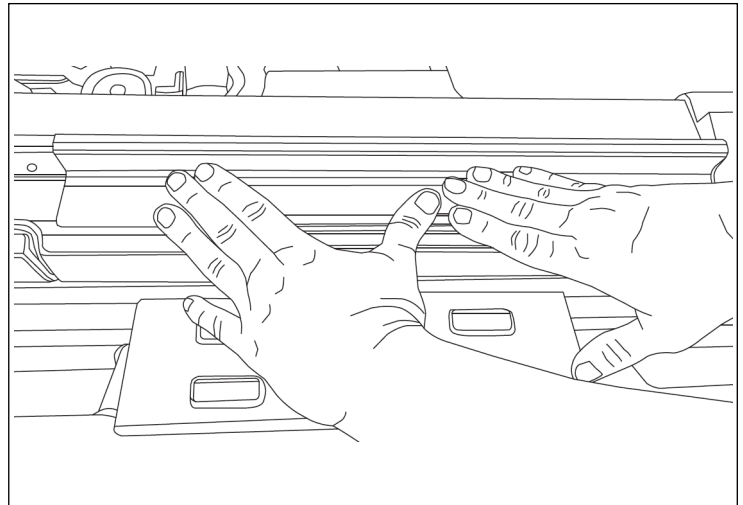
460 HORIZON DR. SUITE 400 | SUWANEE, GA 30024 | PHONE: 770-614-6101 | FAX: 770-614-6069 | info@omix-ada.com

Door Entry Guards

4. Pull bottom tape toward the rear of the vehicle.



5. Firmly press down on the product for 30 seconds to ensure proper contact. Full adhesion occurs within 24 hours of application.



6. If you have a 4 door vehicle, repeat steps 1-5 for the rear guard.

NOTE: For some applications, the rear guards may be side specific.

