

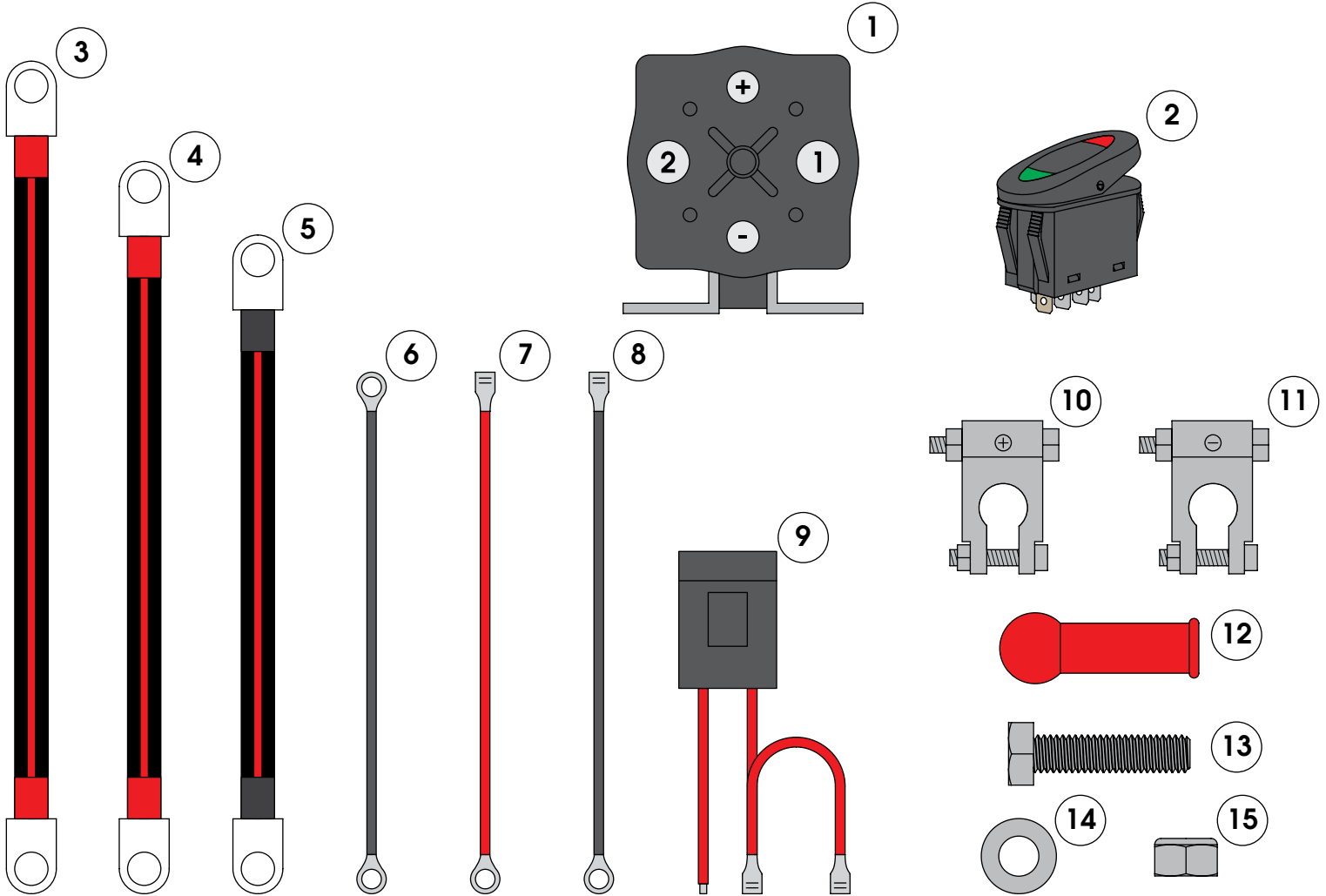


OMIX-ADA, Inc.

Part # 17265.01

460 HORIZON DR. SUITE 400 | SUWANEE, GA 30024 | PHONE: 770-614-6101 | FAX: 770-614-6069 | info@omix-ada.com

Dual Battery Relay



Components

- | | | |
|---------------------------------|---------------------------------|-----|
| 1. Isolator Relay | (1) 9. Switch Power Wire | (1) |
| 2. Three Position Switch | (1) 10. Positive Terminal Clamp | (1) |
| 3. Long Red Battery Jumper | (1) 11. Negative Terminal Clamp | (1) |
| 4. Short Red Battery Jumper | (1) 12. Terminal Cover | (2) |
| 5. Black Battery Jumper | (1) 13. M6 Bolt | (2) |
| 6. Isolator Relay Ground Wire | (1) 14. M6 Flat Washer | (2) |
| 7. Switch - Isolator Relay Wire | (2) 15. M6 Nut | (2) |
| 8. Switch Ground Wire | (1) | |

OMIX-ADA® TECHNICAL SUPPORT

PHONE: M-F 8am - 5pm EST 1-800-449-6649 | EMAIL: techsupport@omix-ada.com

FOR WARRANTY INFORMATION VISIT: www.Omix-Ada.com



OMIX-ADA, Inc.

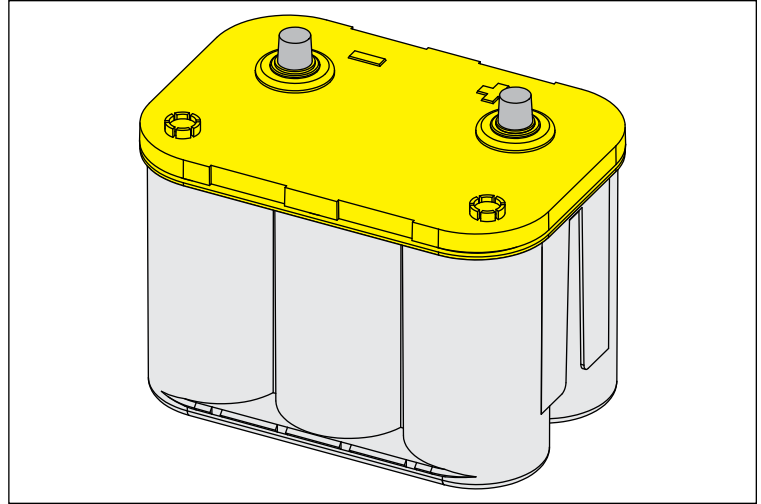
460 HORIZON DR. SUITE 400 | SUWANEE, GA 30024 | PHONE: 770-614-6101 | FAX: 770-614-6069 | info@omix-ada.com

Dual Battery Relay

1. Disconnect battery by removing negative cable first, then positive.

WARNING

When removing battery cables do not touch positive and negative terminals together.



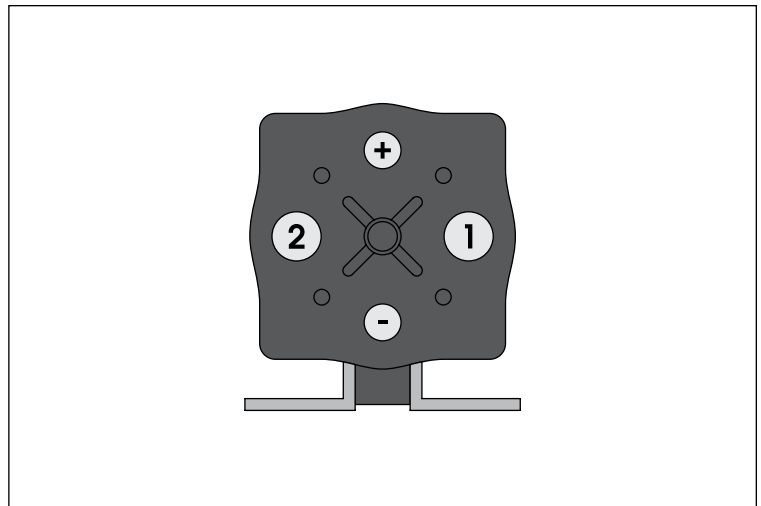
2. Mount Isolator Relay using supplied hardware. For use with Rugged Ridge Dual Battery Tray install in one of the following locations:

'76 - '95 (CJ/YJ): Battery hold down bar

'96 - '06 (TJ): Bracket on radiator core support bar

'07 - Current (JK): Linear Purge Valve mounting tab

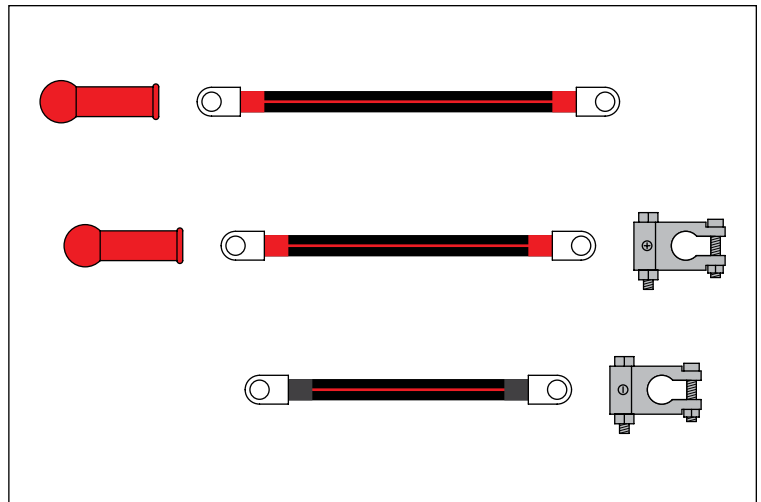
Isolator Relay terminal layout as shown with mounting flange at bottom.



3. Install Terminal Cover on each Red Battery Jumper.

Install Positive Terminal Clamp on Short Red Battery Jumper.

Install Negative Terminal Clamp on Black Battery Jumper.





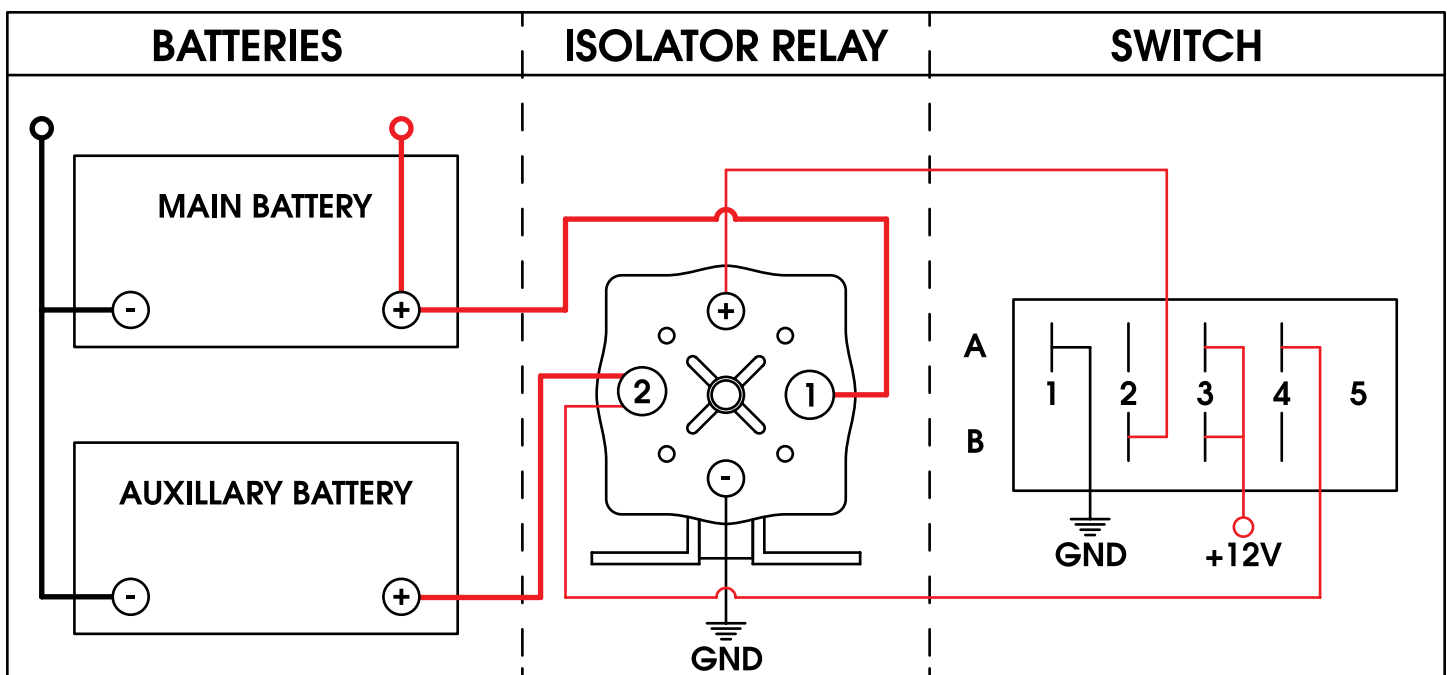
OMIX-ADA, Inc.

460 HORIZON DR. SUITE 400 | SUWANEE, GA 30024 | PHONE: 770-614-6101 | FAX: 770-614-6069 | info@omix-ada.com

Dual Battery Relay

4. Wire Isolator Relay and Three Position Switch as shown below:

- Connect Black Battery Jumper to main negative battery cable
- Connect Long Red Battery Jumper to main positive battery cable and terminal 1 on Isolator Relay
- Connect Short Red Battery Jumper to terminal 2 on Isolator Relay.
- Connect Switch - Isolator Relay Wire with big ring terminal to terminal 2 on Isolator Relay and A4 on Three Position Switch.
- Connect Switch - Isolator Relay Wire with small ring terminal to positive terminal (+) on Isolator Relay and B2 on Three Position Switch.
- Connect Isolator Relay Ground Wire to negative terminal (-) on Isolator Relay and ground to chassis.
- Connect Switch Ground Wire to A1 on Three Position Switch and ground to chassis.
- Connect Switch Power Wire to A3 and B3 on Three Position Switch and to a +12V power source.
- Reconnect main positive battery cable to positive (+) terminal on main battery.
- Connect Short Red Battery Jumper to positive (+) terminal on auxillary battery.
- Reconnect main negative battery cable to negative (-) terminal on main battery.
- Connect Black Battery Jumper to negative (-) terminal on auxillary battery.





OMIX-ADA, Inc.

460 HORIZON DR. SUITE 400 | SUWANEE, GA 30024 | PHONE: 770-614-6101 | FAX: 770-614-6069 | info@omix-ada.com

Dual Battery Relay

5. Operating Dual Battery Relay:

Switch OFF: Only main battery used. Only main battery charged.

Switch ON (GREEN): Only main battery used. Both main and auxillary battery charged.

Switch ON (RED): Both main and auxillary battery used. Both main and auxillary battery charged.

