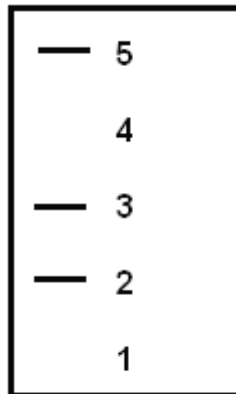


Rocker Switch, Two Position, Black with Indicator Light, Rugged Ridge, Universal Application



1. Wiring for +12v output.



(A5) - Ground input (Connect to chassis ground)

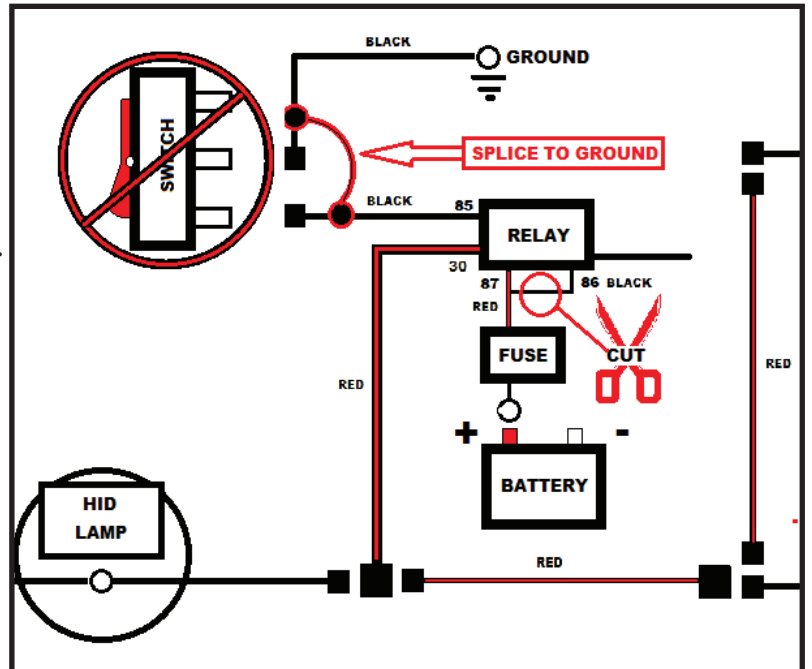
(A3) + 12v input (Connect to +12v switched or constant power source)

(A2) + 12v output (Output to +12v accessory)

A B

2. Wiring when used with Rugged Ridge Fog Lights.

- A. Connect black wire (85) from relay directly to ground.
- B. Cut black wire on relay (86).
- C. Connect black wire (86) to (A2) on switch.



For Technical Assistance Contact:  
 OMIX-ADA Tech Support  
 Phone: 1-800-449-6649  
 Email: techsupport@omix-ada.com  
 Web: www.Omix-Ada.com