

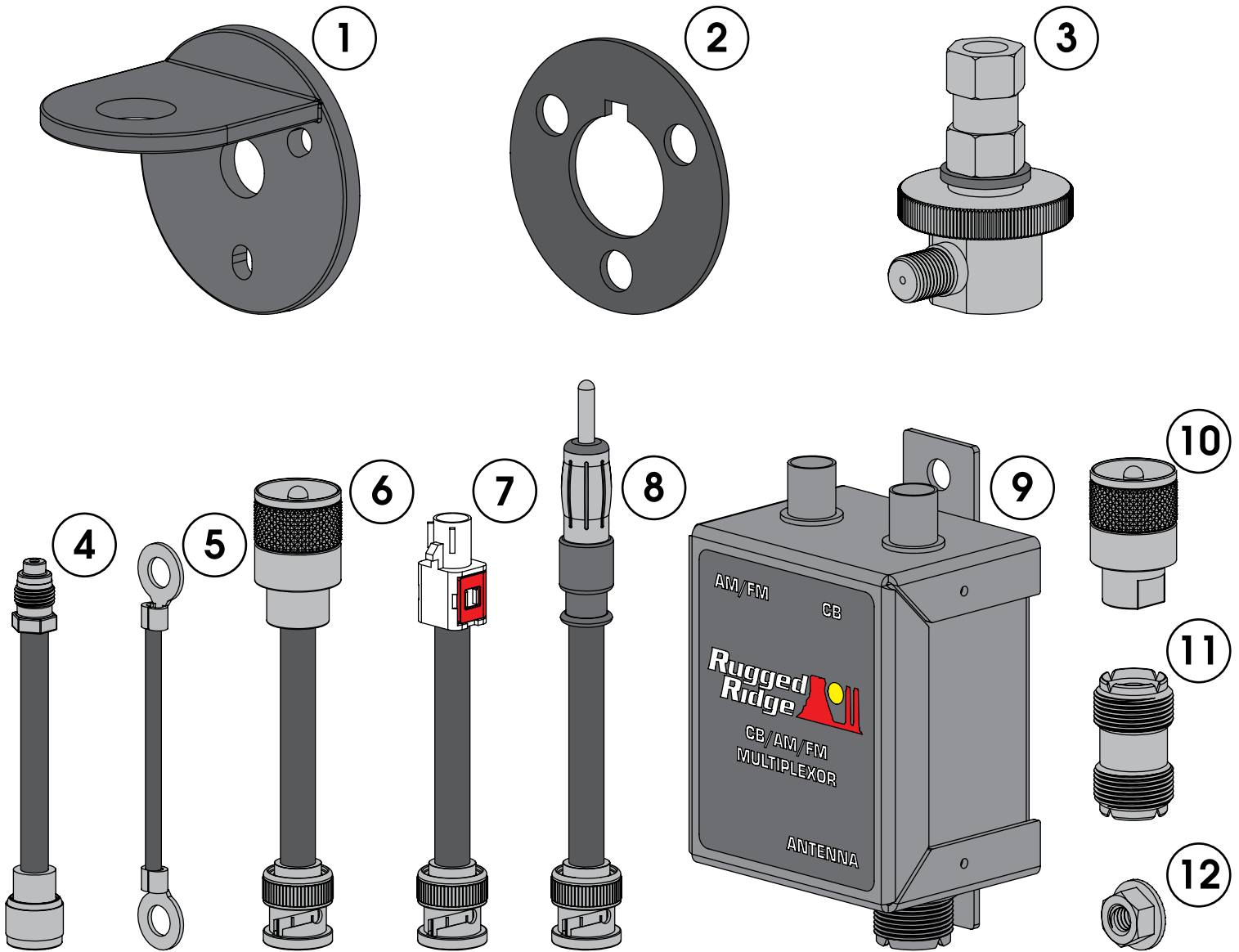


OMIX-ADA, Inc.

Part # 17212.20

460 HORIZON DR. SUITE 400 | SUWANEE, GA 30024 | PHONE: 770-614-6101 | FAX: 770-614-6069 | info@omix-ada.com

CB/AM/FM Antenna Mount Kit



Components

- | | | | |
|-------------------|-----|------------------------------|-----|
| 1. Antenna Mount | (1) | 7. JK Radio Cable | (1) |
| 2. Gasket | (1) | 8. Non-JK Radio Cable | (1) |
| 3. Antenna Stud | (1) | 9. Multiplexor | (1) |
| 4. Antenna Cable | (1) | 10. FME-UHF Adapter | (1) |
| 5. Ground Cable | (1) | 11. Double Female CB Adapter | (1) |
| 6. CB Radio Cable | (1) | 12. M6 Nut | (1) |

OMIX-ADA® TECHNICAL SUPPORT

PHONE: M-F 8am - 5pm EST 1-800-449-6649 | EMAIL: techsupport@omix-ada.com

FOR WARRANTY INFORMATION VISIT: www.Omix-Ada.com



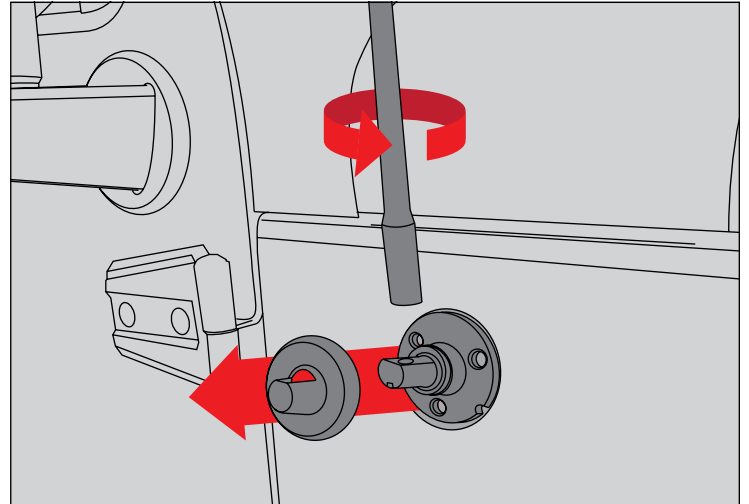
OMIX-ADA, Inc.



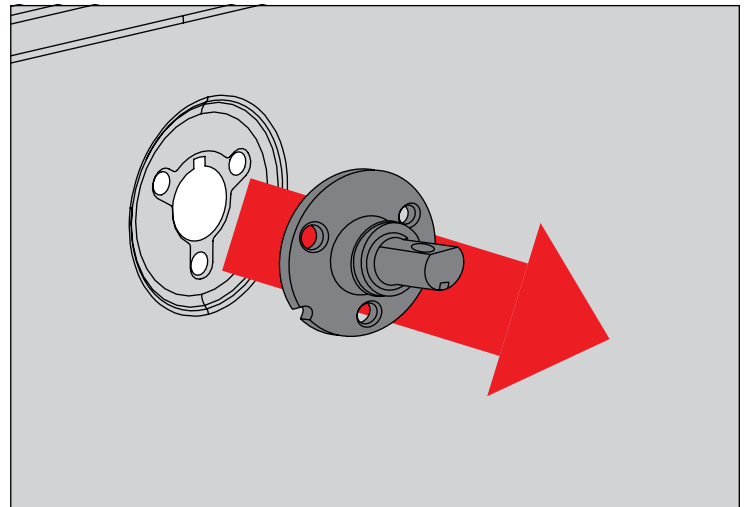
460 HORIZON DR. SUITE 400 | SUWANEE, GA 30024 | PHONE: 770-614-6101 | FAX: 770-614-6069 | info@omix-ada.com

CB/AM/FM Antenna Mount Kit

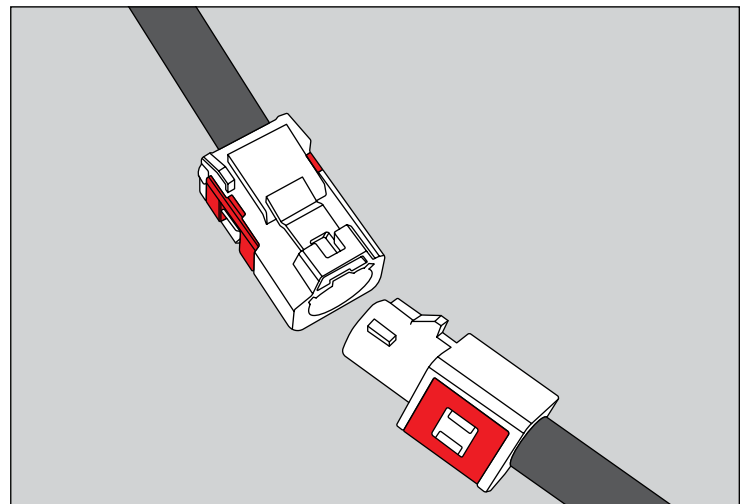
1. Unscrew antenna from base and remove plastic trim using flat head screwdriver.



2. Remove three screws from antenna base and unplug factory antenna cable. Save screws for later use.



3. Remove glove box and locate factory antenna cable wrapped in foam. Disconnect antenna cable and remove from vehicle by pulling from outside vehicle.



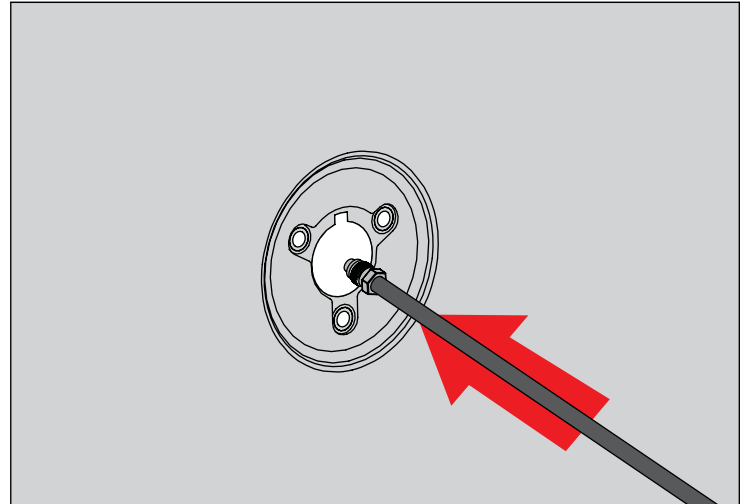


OMIX-ADA, Inc.

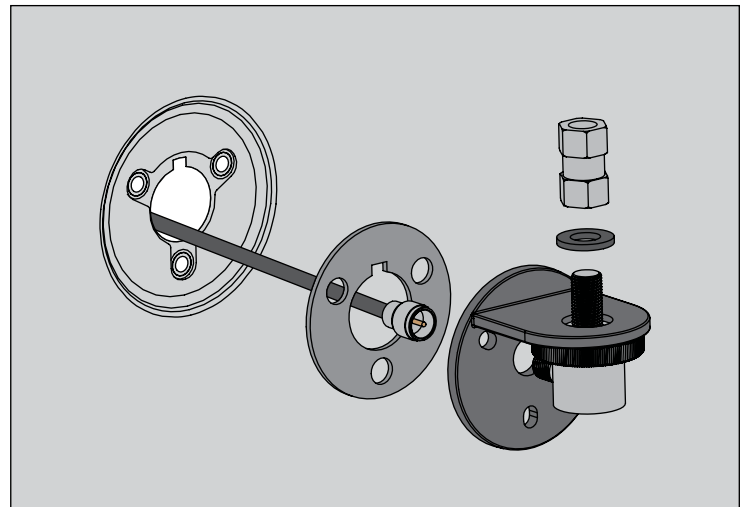
460 HORIZON DR. SUITE 400 | SUWANEE, GA 30024 | PHONE: 770-614-6101 | FAX: 770-614-6069 | info@omix-ada.com

CB/AM/FM Antenna Mount Kit

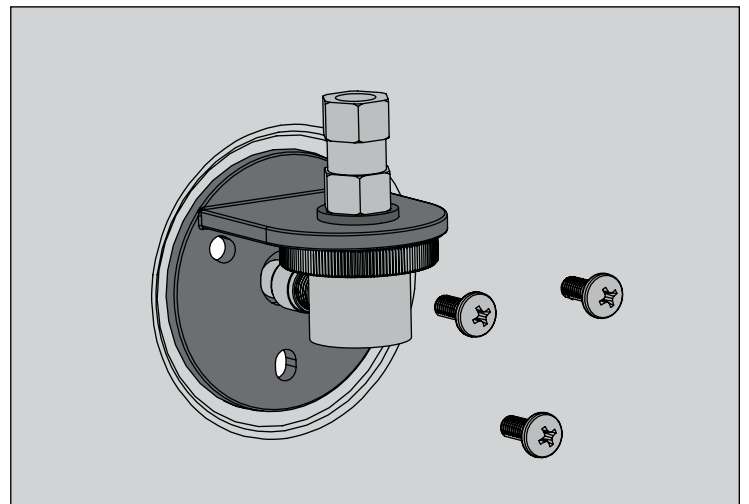
4. Feed small end of Antenna Cable through hole in fender until Antenna Cable is inside cabin of Jeep.



5. Install Antenna Stud on Antenna Mount. Insert Antenna Cable through Antenna Mount and Gasket and connect to Antenna Stud.



6. Using screws removed in step 2, install Antenna Mount on fender.





OMIX-ADA, Inc.

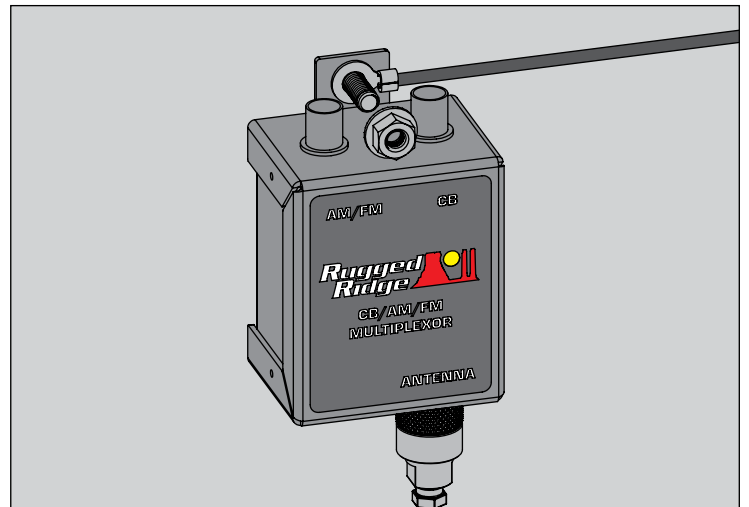
460 HORIZON DR. SUITE 400 | SUWANEE, GA 30024 | PHONE: 770-614-6101 | FAX: 770-614-6069 | info@omix-ada.com

CB/AM/FM Antenna Mount Kit

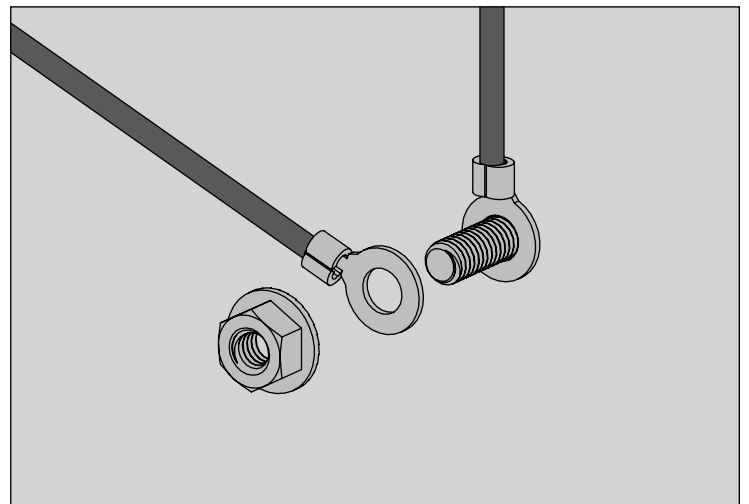
7. Connect FME to UHF Adapter to Antenna Cable and "Antenna" port of Multiplexor.



8. Remove plastic carpet nut from stud in passenger side footwell. Place Multiplexor and Ground Cable on stud and fasten using M6 Nut.



9. Attach other end of Ground Cable to ground stud near passenger door.





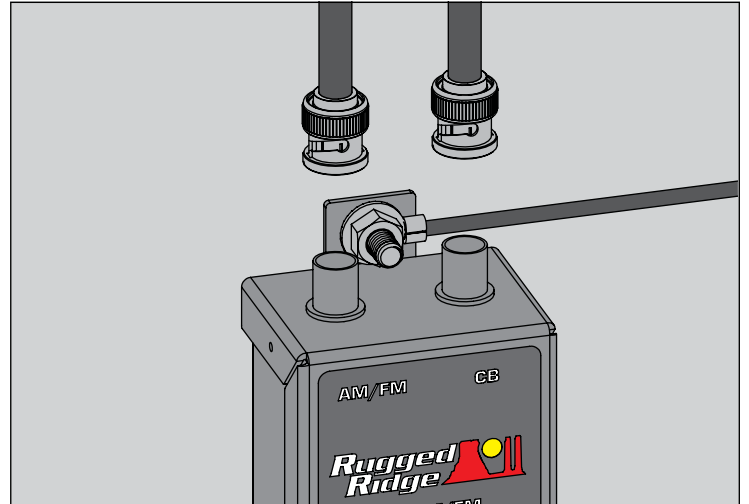
OMIX-ADA, Inc.

460 HORIZON DR. SUITE 400 | SUWANEE, GA 30024 | PHONE: 770-614-6101 | FAX: 770-614-6069 | info@omix-ada.com

CB/AM/FM Antenna Mount Kit

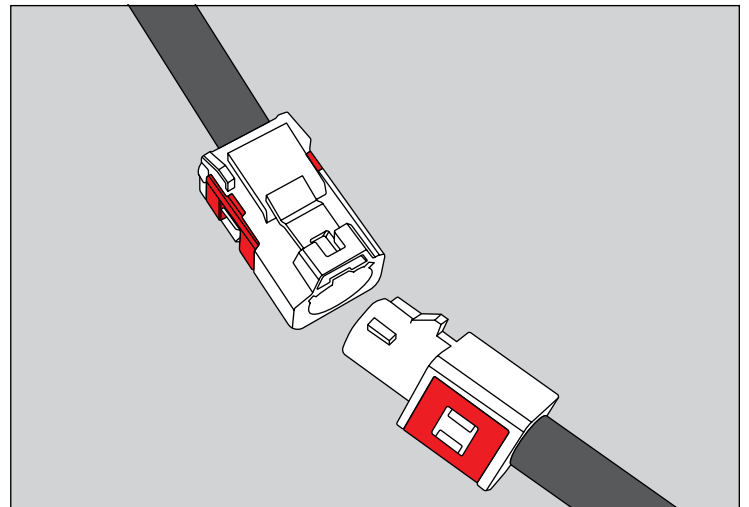
10. Connect JK Radio Cable to "AM/FM" port of Multiplexor. Connect CB Radio Cable to "CB" port of Multiplexor.

If installing on earlier model, use Non-JK Radio Cable in place of JK Radio Cable.



11. Connect JK Radio Cable to factory antenna cable.

If installing on earlier model, use Non-JK Radio Cable in place of JK Radio Cable.



12. Connect CB Radio Cable to CB radio. Use supplied Double Female CB Adapter if necessary to connect to another CB cable.

