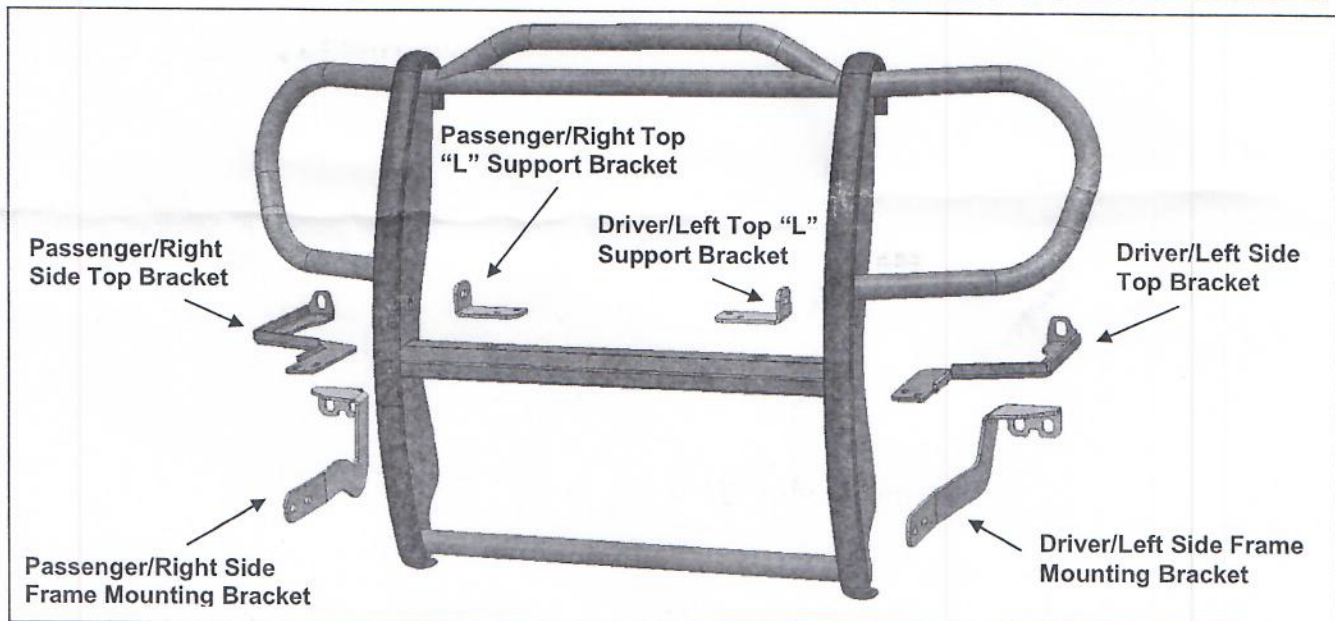




PART NUMBER 11513.04

PARTS LIST:

1	Grille Guard	6	10-1.5mm x 35mm Button Head Bolts
1	Driver/Left Side Mounting Bracket	12	10mm x 27mm OD x 3mm Large Flat Washers
1	Passenger/Right Side Mounting Bracket	6	10mm Nylon Lock Nuts
1	Driver/Left Side Top Bracket	4	8-1.25mm x 30mm Button Head Bolts
1	Passenger/Right Side Top Bracket	8	8mm x 24mm OD x 2mm Flat Washers
1	Driver/Left Side "L" Top Support Bracket	4	8mm Nylon Lock Nuts
1	Passenger/Right Side "L" Top Support Bracket	1	5mm Wrench
8	Plastic Clips	1	6mm Wrench



PROCEDURE:

REMOVE CONTENTS FROM BOX. VERIFY ALL PARTS ARE PRESENT. READ INSTRUCTIONS CAREFULLY BEFORE STARTING INSTALLATION. CUTTING MAY BE REQUIRED. ASSISTANCE IS HIGHLY RECOMMENDED.

VERY IMPORTANT: This Grille Guard is not compatible with optional Forward Collision Warning Systems featuring bumper mounted radar controlled sensor. Installation also excludes all models with factory installed front tow hooks.

1. Open the hood and remove the hardware attaching the top of the grille to the radiator core support, (Figure 1). Next, remove the hardware attaching the bottom of the plastic front bumper cover to the crossmember under the radiator, (Figure 2). **IMPORTANT:** Pay close attention to the type and location of all factory hardware for easier reinstallation.

2. Move to the driver/left side front wheel opening. Remove the hardware attaching the end of the plastic lower bumper cover to the inner fender liner, **(Figure 3)**. Pull back the fender liner and unplug the lights mounted in the bumper.
3. Carefully pull the forward end of the plastic fender flare straight out to release from clips attaching the flare to the lower bumper cover and front fender, **(Figure 4)**. **VERY IMPORTANT:** The plastic clips attaching the flare to the bumper and fender are fragile. Use of an automotive panel removal tool, (not included), is highly recommended to prevent damage to inner clips. Do not remove the flare, only release the forward end of the flare to allow access to the (4) screws under the flare. Remove the screws attaching the end of the bumper to forward end of the fender. Repeat this Step to loosen the passenger/right side of the bumper cover, **(Figure 5)**.
4. Once all hardware has been removed, with assistance, pull the bumper and grill assembly straight out and off of the vehicle and place on a clean surface, **(Figure 5)**.
5. Move to the driver/left side of the aluminum inner impact bumper. Locate the factory hex bolts attaching the top of the inner impact bumper to the vehicle. Remove the inner hex bolt only, **(Figure 6)**. Do not remove the outer bumper bracket bolt. Select the driver/left Top Mounting Bracket, **(Figure 7)**. Hold the Bracket in place and mark the outline of the Bracket onto the plastic air deflector, **(Figure 8)**. Remove the Top Bracket. Cut a small section out of the plastic inner air deflector to clear the Top Bracket. Reuse the factory hex bolt to attach the Top Bracket to the inner bumper bracket, **(Figure 9)**. Snug but do not fully tighten hex bolt.
6. Select the driver/left "L" Top Support Bracket, **(Figure 10)**. Attach the Support Bracket to the top of the Top Mounting Bracket with (2) 8mm Button Head Bolts, (4) 8mm Flat Washers and (2) 8mm Nylon Lock Nuts, **(Figure 11)**. Do not tighten hardware at this time.
7. Next, select the driver/left Frame Mounting Bracket, **(Figure 12)**. Locate and remove the (2) hex bolts from the bottom of the impact bumper bracket. Reuse the (2) factory hex bolts to attach the Mounting Bracket to the bottom of the bumper bracket, **(Figure 13)**. Snug but do not fully tighten hex bolts.
8. Repeat **Steps 5—7** to attach the passenger/right Brackets.
9. With assistance, hold the Grille Guard up to the outside of the Mounting Brackets. Attach the Grille Guard to the Frame Mounting Brackets with the included (4) 10mm Button Head Hex Bolts, (8) 10mm Flat Washers and (4) 10mm Nylon Lock Nuts, **(Figure 14)**. Attach the Top Support Brackets to the Grill Guard with the included (2) 10mm Button Head Hex Bolts, (4) 10mm Flat Washers and (2) 10mm Nylon Lock Nuts, **(Figure 15)**.
10. Align the Grille Guard to the vehicle, check for level, adjust as necessary and fully tighten all hardware attaching Brackets to the vehicle. **Only tighten mounting hardware to vehicle.** Temporarily remove the Grille Guard and "L" Support Brackets. **IMPORTANT:** Slots in Mounting Brackets allow for some adjustment, but Brackets cannot be adjusted once plastic bumper cover is reinstalled. Make sure Grille Guard is in correct position and fully tighten hardware attaching Brackets to vehicle before removing Grille Guard.
11. Remove the plastic fill panels blocking the openings in the lower part of the plastic bumper cover, **(Figure 16)**.
12. With assistance, carefully slide the bumper and grille over the Mounting Brackets, **(Figure 17)**. **NOTE:** Use removable tape, (masking tape for example), to cover any sharp edges on the Grille Guard Brackets to protect the plastic bumper cover from damage during reinstallation.
13. Reuse the factory hardware to reinstall the plastic bumper cover and grille. Plug in the lights and reattach the ends of the bumper cover to the bottom of the fenders. Use the included plastic clips as required to replace any fender flare to fender clips damaged during bumper cover removal, **(Figure 4)**. **NOTE** The included Plastic Clips are intended to replace the white clips attaching the flare to the fender, not the clips attaching the flare to the bumper cover.
14. Reinstall the "L" Support Brackets and Grille Guard, **(Figures 18, 19 A& 19B)**. Align and adjust the Grille Guard and tighten all hardware.
15. Do periodic inspections to the installation to make sure that all hardware is secure and tight.

To protect your investment, wax this product after installing. Regular waxing is recommended to add a protective layer over the finish. Do not use any type of polish or wax that may contain abrasives that could damage the finish.

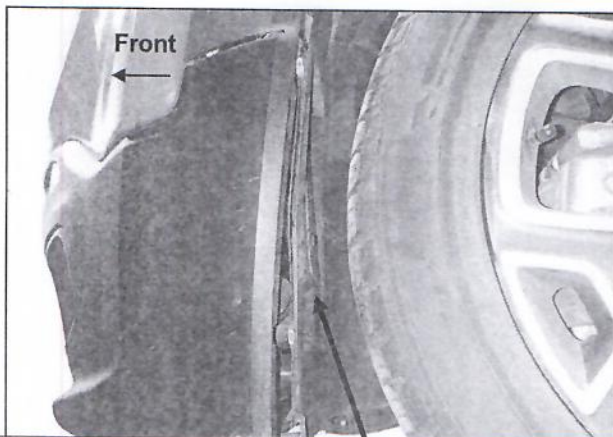
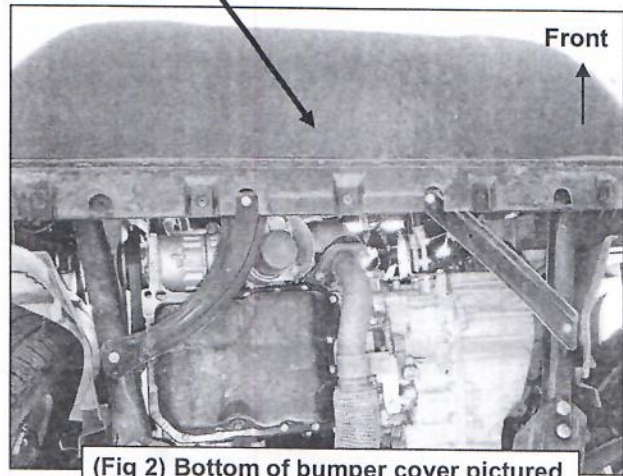
For stainless steel: Aluminum polish may be used to polish small scratches and scuffs on the finish. Mild soap may be used also to clean the Grille Guard.

For gloss black finishes: Mild soap may be used to clean the Grille Guard.

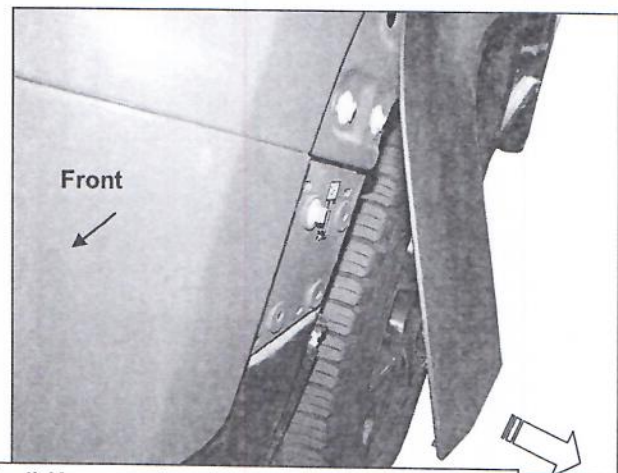
Driver Side Installation Pictured



Remove hardware attaching the top of the grille to the radiator core support. Remove the hardware attaching the bottom of the bumper cover to the bottom of the radiator core support.

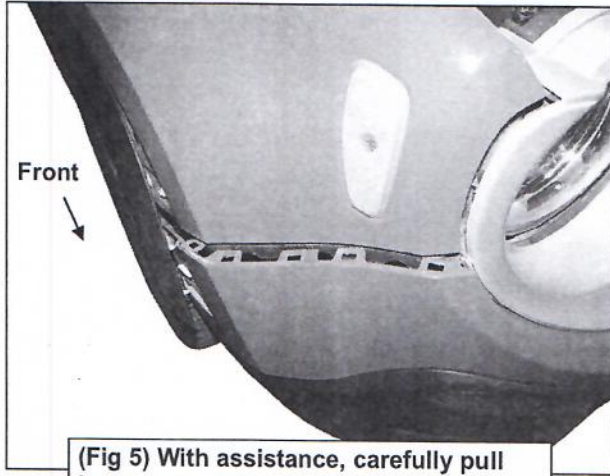


(Fig 3) Remove hardware attaching fender to fender liner. Pull back liner to access and unplug lights

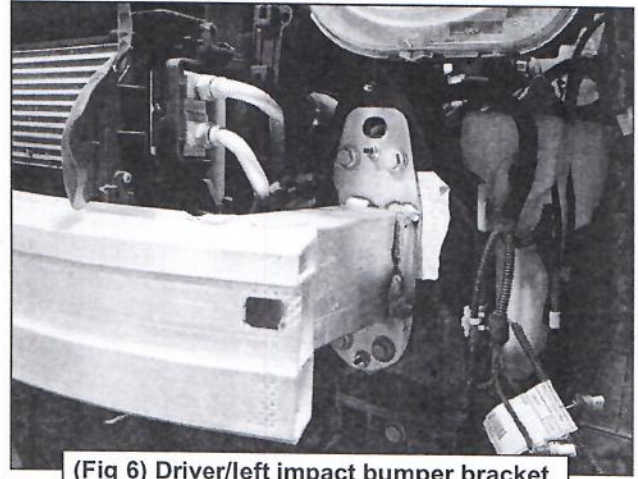


(Fig 4) Use panel tool (not included) to release plastic clips. Carefully pull fender flare straight out to access (4) screws attaching bumper cover to fender. **IMPORTANT:** When reinstalling fender flare, replace any of the clips attaching flare to fender (white clips) with the included replacement clips as needed

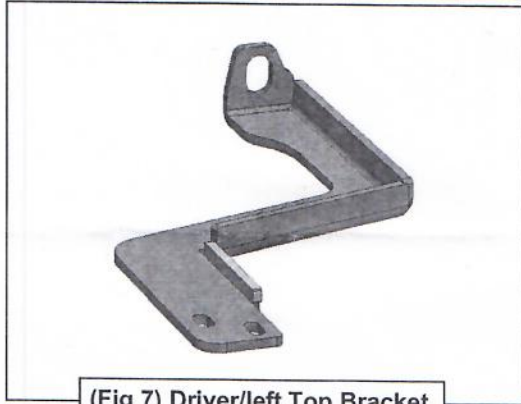
Driver Side Installation Pictured



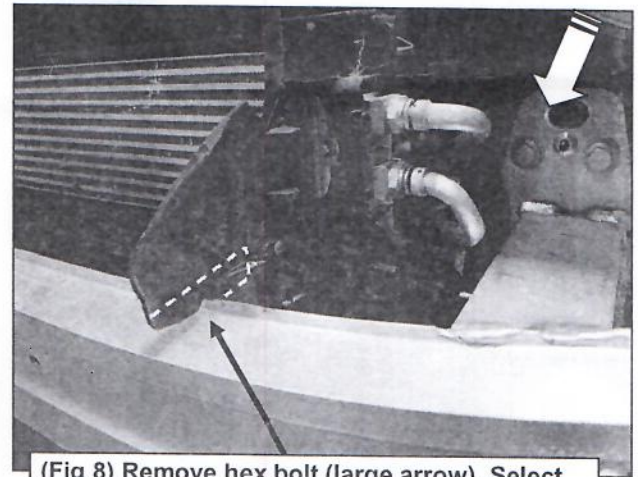
(Fig 5) With assistance, carefully pull bumper cover and grille assembly off of vehicle (passenger/right side pictured)



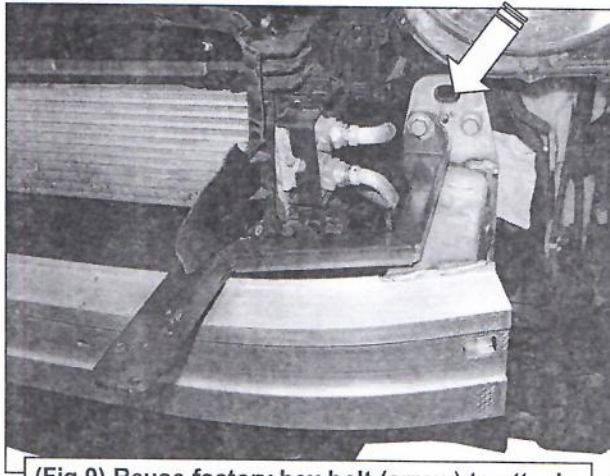
(Fig 6) Driver/left impact bumper bracket



(Fig 7) Driver/left Top Bracket

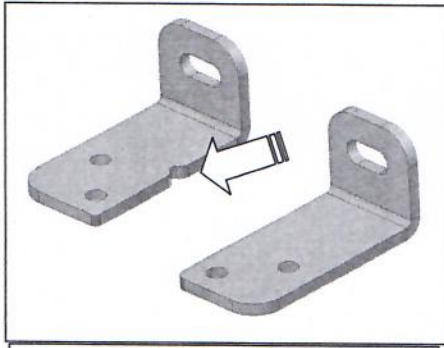


(Fig 8) Remove hex bolt (large arrow). Select the driver/left Top Mounting Bracket. Hold Bracket in position to determine area to cut from plastic air deflector (white dashed line)



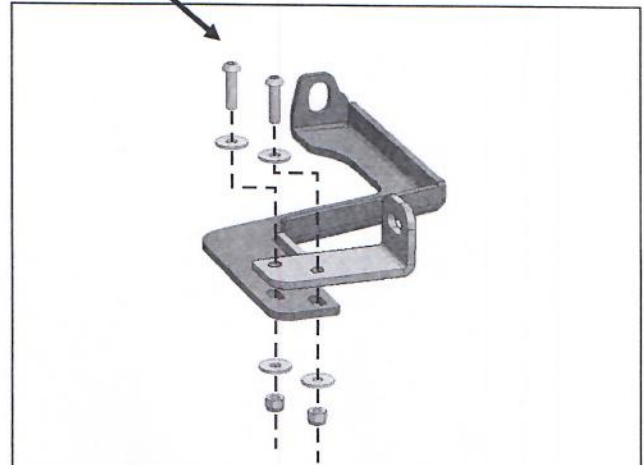
(Fig 9) Reuse factory hex bolt (arrow) to attach driver/left Top Bracket to bumper bracket

Driver Side Installation Pictured

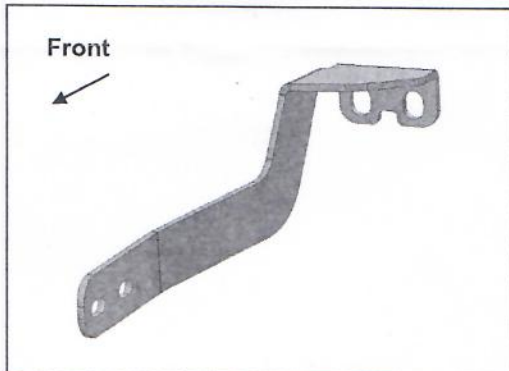


(Fig 10) "L" Top Support Brackets.
NOTE: Passenger/right Bracket
features small notch (arrow) to
help identify

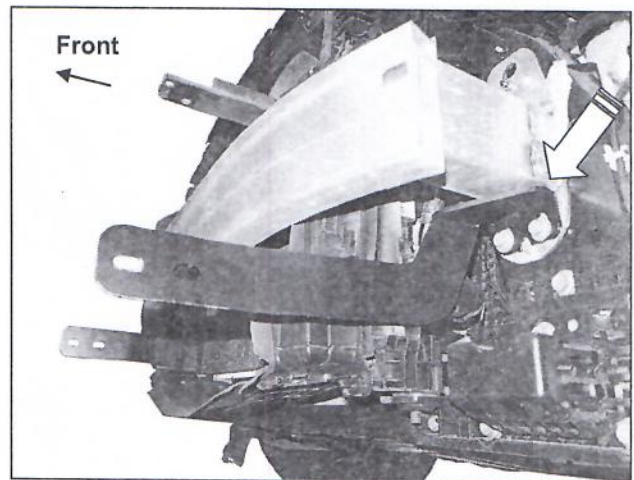
- (2) 8mm Button Head Bolts
- (4) 8mm Flat Washers
- (2) 8mm Nylon Lock Nuts



(Fig 11) Attach driver/left "L" Top Support Bracket
to top of Mounting Bracket. NOTE: Passenger/right
Bracket features small notch to identify



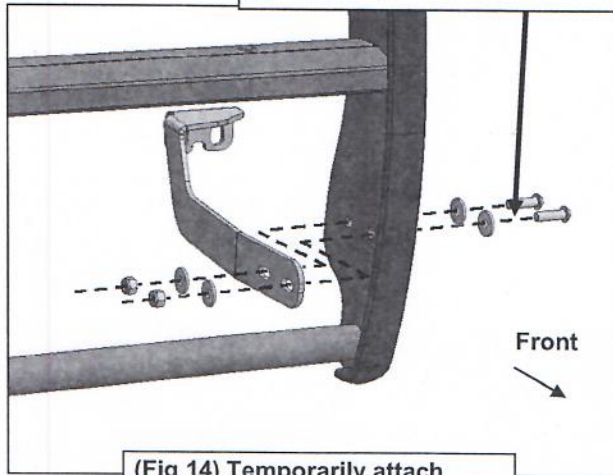
(Fig 12) Driver/left Frame Mounting Bracket



(Fig 13) Reuse (2) factory hex bolts
(arrow) to attach driver/left Frame
Bracket to bottom of bumper bracket

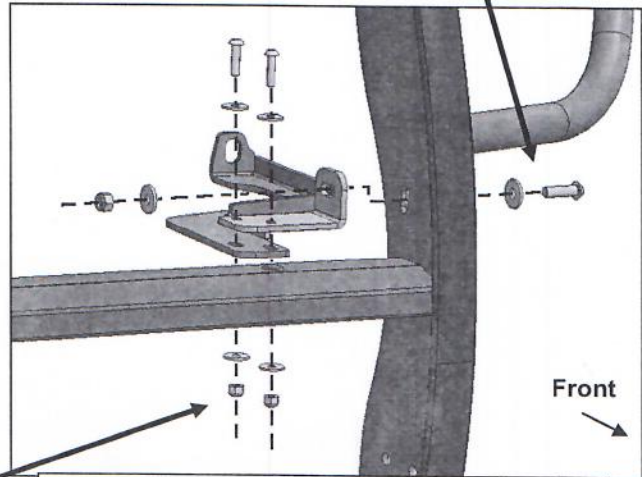
Driver Side Installation Pictured

- (2) 10mm x 35mm Button Head Bolts
- (4) 10mm Flat Washers
- (2) 10mm Nylon Lock Nuts



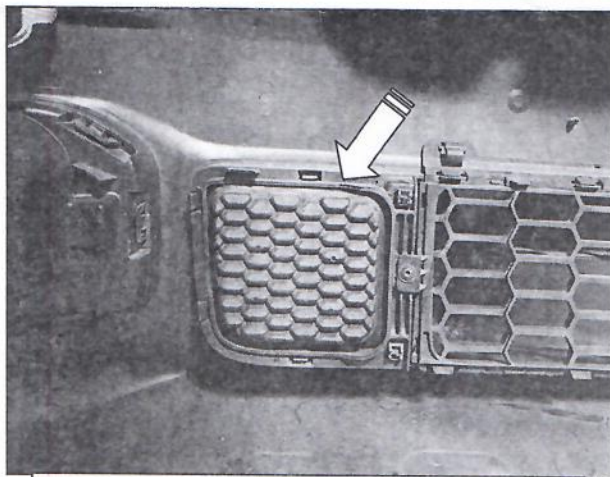
(Fig 14) Temporarily attach Grille Guard to Frame Brackets

- 10mm x 35mm Button Head Bolt
- (2) 10mm Flat Washers
- 10mm Nylon Lock Nut

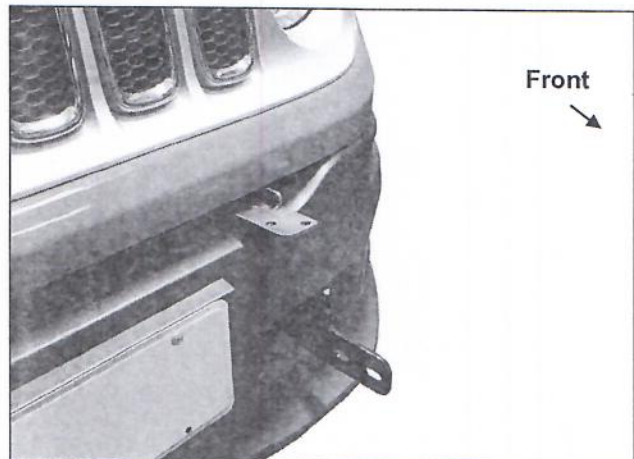


(Fig 15) Temporarily attach Grille Guard to Top Support Brackets. Level and center the Grill Guard on the vehicle and fully tighten the hardware attaching the Brackets to the vehicle only. Temporarily remove the Grille Guard and "L" Top Support Brackets

- (2) 8mm Button Head Bolts
- (4) 8mm Flat Washers
- (2) 8mm Nylon Lock Nuts

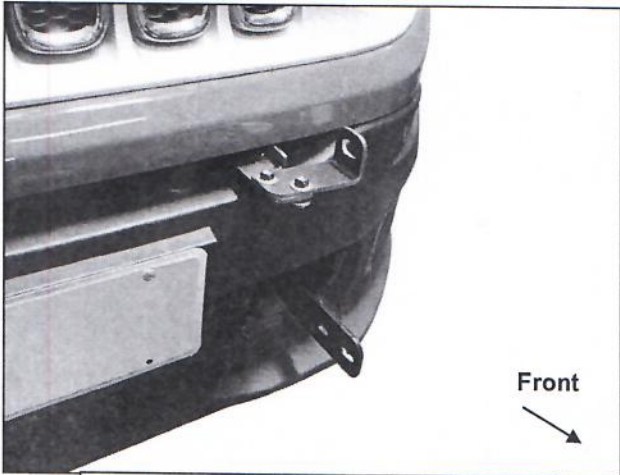


(Fig 16) Remove both block offs from bumper (arrow). NOTE: Pictured from behind bumper

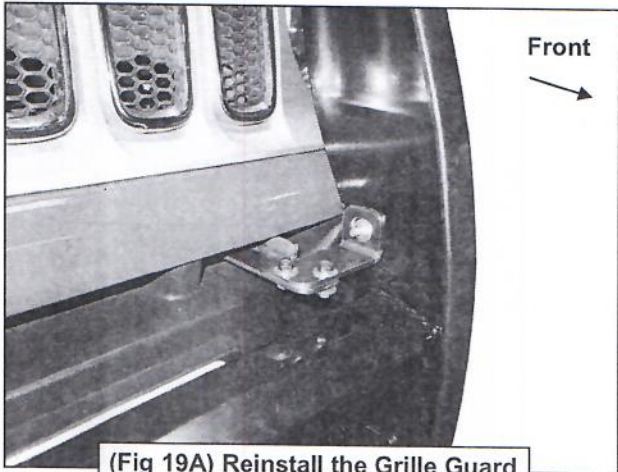


(Fig 17) Before reinstalling the bumper cover/grille, cover edges on brackets with removable tape (masking tape for example). Carefully guide bumper cover/grille assembly over the bumper brackets and back into position.

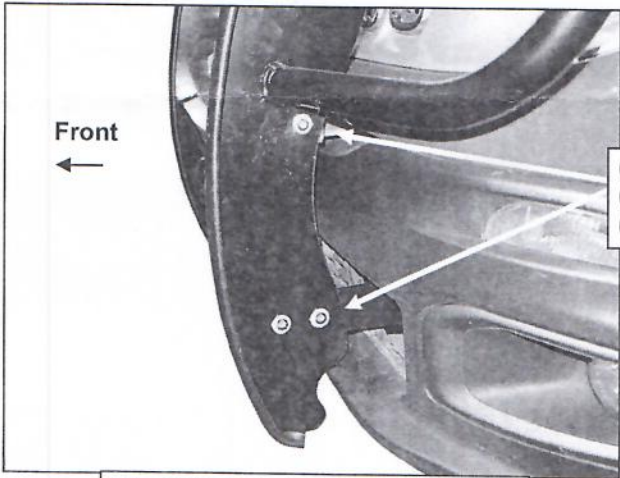
Driver Side Installation Pictured



(Fig 18) Reinstall Top Support Brackets



(Fig 19A) Reinstall the Grille Guard



- (3) 10mm Button Head Bolts
- (6) 10mm Flat Washers
- (3) 10mm Nylon Lock Nuts

(Fig 19B) Reinstall the Grille Guard

