



**Rugged Ridge**  
**Rock Crawler Rear Bumper**  
**P/N: 11503.13 - 14**  
**Installation Instructions.**  
**Can be used for tires sizes up to 35"**

**Components - Box 1**

- (Box 1):** (1) Rock Crawler rear bumper (box 1)  
(10) M12 - 1.75 x 30mm Hex Head Bolt  
(8) M12 Nylock Nuts  
(18) M12 Flat Washers  
(10) M12 Lock Washers

**Components - Box 2 (tire carrier)**

- (Box 2):** (1) Tire Carrier with latch installed  
(1) Post Bar  
(1) Tire Mount  
(1) c45 Circle Clip  
(1) 3/8"-24 x 1" Hex Head Bolt  
(2) 3/8"-24 x 1 1/4" Hex Head Bolt  
(8) 3/8" Flat Washers  
(5) 3/8" Nylock Nuts  
(1) 3/8" - 16UNC X 67 Round Cross Bolt  
(4) c10 Washers  
(1) 3/8" Nylock Nut  
(1) Rubber Bushing/Spacer  
(1) Nylon Washer  
(1) ST6.3 x 25 Phillips Head Screw



**NOTE: TWO PEOPLE WILL BE NEEDED TO MOUNT THIS BUMPER.**

**(Step 1):** Remove original factory bumper per manufacturer's instructions. The lower mounting bolts can be reused if desired.

**(Step 2):** The inner mounting holes on the Rock Crawler bumper will not align with any factory holes regardless of model year (Fig.1). With the help of another person mount the bumper using the outer holes only. With bumper secured scribe or mark the inner hole locations. (Fig.2) Be sure to mark hole location correctly for proper fitment. Remove bumper and set aside.

**Fig.1**



**Fig.2**



**(Step 3):** With the holes marked or scribed drill a small 3/16" pilot hole in the rear cross member in the center of your marks. The smaller pilot hole insures the centering of your larger mounting hole when drilled. **CAUTION: EXTREME CARE SHOULD BE TAKEN BEFORE DRILLING. THE FUEL TANK IS LOCATED JUST BEHIND THE CROSS MEMBER.** Great care will be needed to avoid damaging the fuel tank.

With the smaller 3/16" pilot holes drilled, enlarge the holes using a 1/2" drill bit.

**AGAIN, BE CAREFUL AND AVOID ANY CONTACT OF THE DRILL BIT TO FUEL TANK.**





- (Step 4):** With mounting holes drilled reposition bumper back to frame cross member and secure using (6) M12 x 30mm Hex Head Bolts, (12) M12 Flat Washers,(6) M12 Lock Washers, (6) M12 Nylock Nuts.  
**DO NOT TIGHTEN HARDWARE AT THIS TIME.**



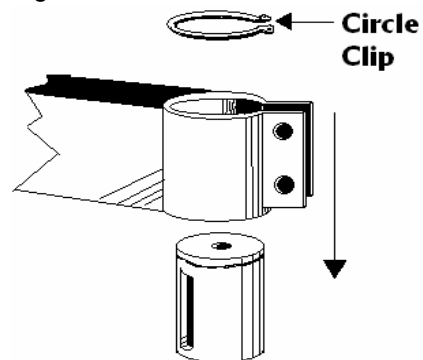
- (Step 5):** Locate (2) M12-1.75 x 30mm, (2) M12 Flat Washers, and (2) M12 Lock Washers  
**NOTE: M12 Bolts fit most TJ vehicles, 7/16" bolts fit most YJ vehicles. If unable to use the supplied lower hardware you can reuse the original OE lower bolts.**  
Secure the bottom of the bumper to the lower two mounting points using supplied hardware.  
**Tighten all hardware at this time.**  
If desired the original lower mounting bolt can be reused.

- (Step 6):** With help secure the tire carrier to the bumper swing spindle. Work tire carrier all the way down onto the spindle and close. Install (2) 3/8"-24 x 1 1/4" Hex Head Bolts, (4) 3/8" Flat Washers and (2) 3/8" Nylock Nuts to the tire carrier arm clamp. (Fig.5 & 6)

Fig.5



Fig.6



- (Step 7):** Install the circle clip onto the top of the spindle (Fig.6). Install grease nipple. Add grease using grease gun to lubricate the spindle and pivot before use.





- (Step 8):** Install Post Bar at this time to the top of the tire carrier. Use (1) 3/4" x 3" Hex Head Bolt, (2) 3/4" Flat Washers, and (1) 3/4" Nylock Nut.
- (Step 9):** Locate tire mount and install using (3) 3/8"-24 x 1" Hex Head Bolts, (6) 3/8" Flat Washers and (3) 3/8" Nylock Nuts. Slide mount onto tire carrier and hand tighten. There are two sets of mounting slots on the tire carrier. With post bar installed test fit the spare tire and determine what is the best mounting point for your vehicles spare tire. Tighten bolts.
- (Step10):** Mount rubber bushing to bumper swing arm latching point using supplied phillips head screw. The rubber bushing is needed to maintain proper preload to secure swing arm latch.

**Note: When the spare tire is installed it should set snugly against the post bar. For most oversized tires the outer mounting holes will be used. Tire carrier can be used with tires up to 35".**



## PRODUCT WARRANTY

Applies to Rugged Ridge by Omix-ada Inc. Products

Rugged Ridge Off Road (the Company) warrants to the original purchaser of this product that should the product or any part thereof, under normal use and conditions, be proven defective in material or workmanship within 90 DAYS from the date of original purchase, such defect(s) will be repaired or replaced or credited at the Company's sole option.

To obtain repair or replacement within the terms of this Warranty, the product is to be delivered with proof of warranty coverage (e.g. Dated bill of sale), specification of defect(s) to the place of purchase or, with prior approval from the Company (Return Authorization Number is required), freight pre-paid to the Company address listed below.

This warranty does not apply to any product or part thereof which, in the opinion of the Company, has suffered or been damaged through alteration, improper installation, mishandling, misuse, neglect, accident or by acts of nature. THE EXTENT OF THE COMPANY'S LIABILITY UNDER THIS WARRANTY IS LIMITED TO THE REPAIR OR REPLACEMENT PROVIDED ABOVE AND, IN NO EVENT, SHALL THE COMPANY'S LIABILITY EXCEED THE PURCHASE PRICE PAID BY PURCHASER FOR THE PRODUCT.

This Warranty is in lieu of all express warranties or liabilities. ANY IMPLIED WARRANTIES, INCLUDING ANY IMPLIED WARRANTY OF MERCHANTABILITY, SHALL BE LIMITED TO THE DURATION OF THIS WRITTEN WARRANTY. ANY ACTION FOR BREACH OF ANY WARRANTY HEREUNDER INCLUDING ANY IMPLIED WARRANTY OF MERCHANTABILITY MUST BE BROUGHT WITHIN THE PERIOD OF 90 DAYS FROM DATE OF ORIGINAL PURCHASE.

IN NO CASE SHALL THE COMPANY BE LIABLE FOR ANY CONSEQUENTIAL OR INCIDENTAL DAMAGES FOR BREACH OF THIS OR ANY OTHER WARRANTY, EXPRESS OR IMPLIED, WHATSOEVER. No person or representative is authorized to assume for the Company any liability other than expressed herein in connection with the sale of this product.

Some States do not allow limitations on how long an implied warranty lasts or the exclusion or limitation of incidental or consequential damage, so the above limitations may not apply to you. This warranty gives you specific legal rights and you may also have other rights, which vary from state to state.

Omix-ada Inc.  
460 Horizon Dr. Suite 400  
Suwanee, Georgia 30024

