



OMIX-ADA, Inc.

460 HORIZON DR. SUITE 400 | SUWANEE, GA 30024 | PHONE: 770-614-6101 | FAX: 770-614-6069 | info@omix-ada.com

11232.36

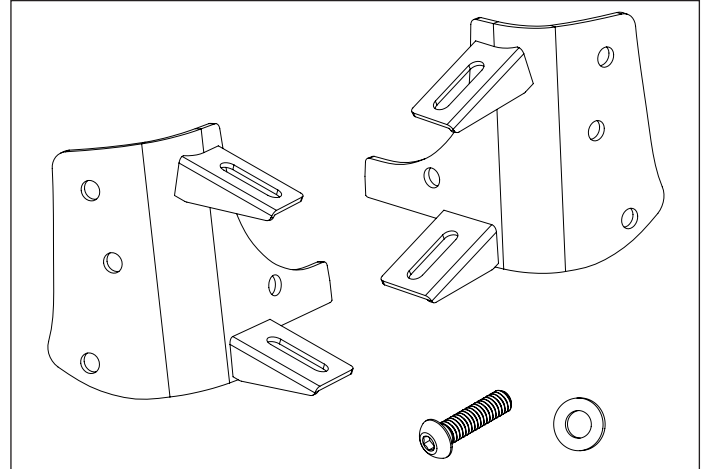
TJ Dual A-Pillar Light Mounts

Contents:

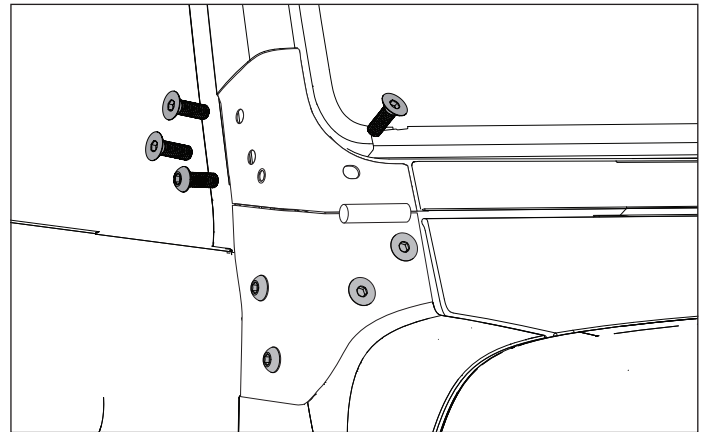
- Bracket, Left Hand (1)
- Bracket, Right Hand (1)
- Button Head Bolt (8)
- Washer (8)

Tools:

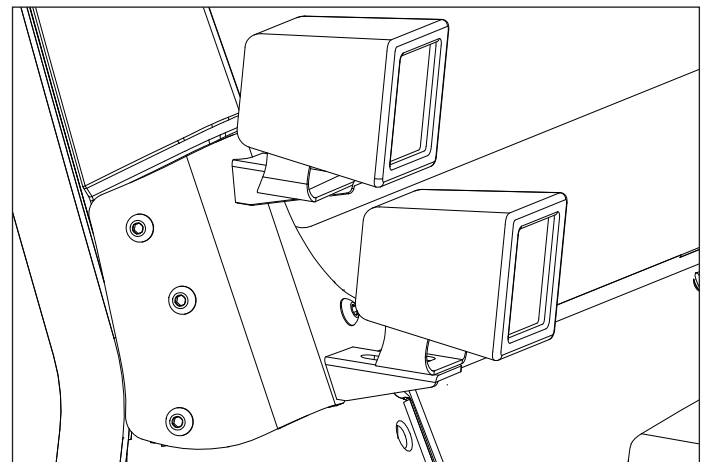
- T40 Torx Bit
- Allen Key (Supplied)



1. Unscrew factory hardware from front and side of windshield bracket using a T40 Torx Bit.



2. Place bracket and secure using supplied button head bolts and washers.



3. Install LED lights of choosing.

OMIX-ADA® TECHNICAL SUPPORT

PHONE: M-F 8am - 5pm EST 1-800-449-6649 | EMAIL: techsupport@omix-ada.com

FOR WARRANTY INFORMATION VISIT: www.Omix-Ada.com