



OMIX-ADA, Inc.

460 HORIZON DR. SUITE 400 | SUWANEE, GA 30024 | PHONE: 770-614-6101 | FAX: 770-614-6069 | info@omix-ada.com

11232.30
11232.31

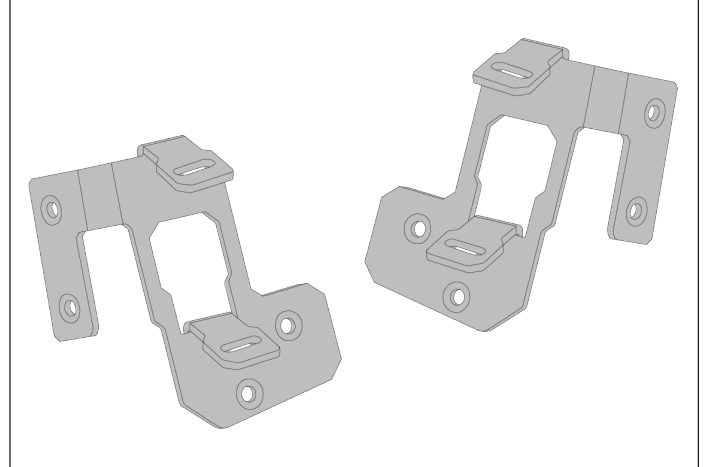
Windshield Dual Light Bracket

Contents:

- Bracket, Left Hand (1)
- Bracket, Right Hand (1)

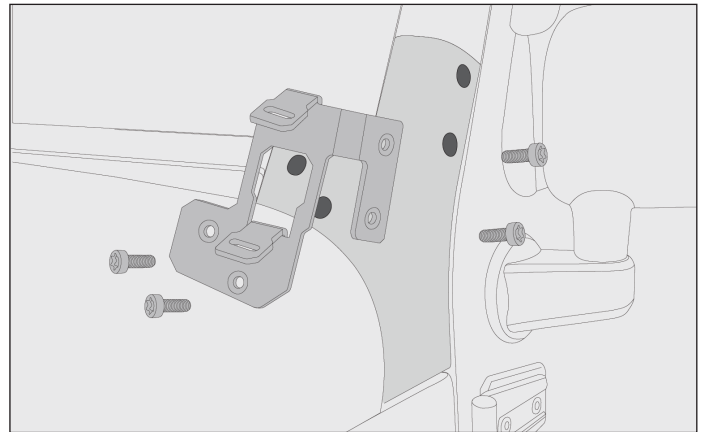
Tools:

- T40 Torx Bit

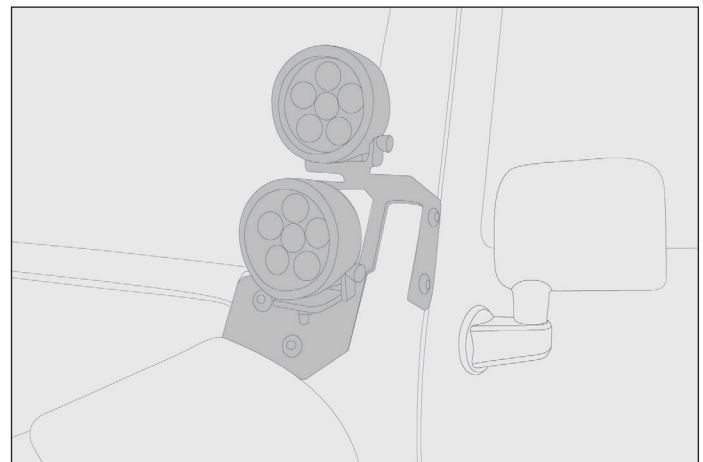


1. Unscrew factory hardware from front and side of windshield bracket.

2. Place bracket and secure using factory screws.



3. Install LED lights of choosing.



OMIX-ADA® TECHNICAL SUPPORT

PHONE: M-F 8am - 5pm EST 1-800-449-6649 | EMAIL: techsupport@omix-ada.com

FOR WARRANTY INFORMATION VISIT: www.Omix-Ada.com