

INSTALLATION SHEET

RUGGED LINER

REAR INNER WHEEL WELL LINERS 21+ FORD F150



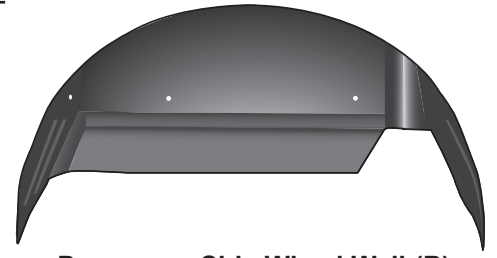
Driver Side Wheel Well (A)

LIST OF CONTENTS:

- (A) 1 - Driver Side Wheel Well
- (B) 1 - Passenger Side Wheel Well

LIK77 KIT:

- (C) 4 - J-Clips
- (D) 4 - Screws
- (E) 8 - Rubber Washers
- (F) 4 - Christmas Tree Fasteners



Passenger Side Wheel Well (B)

MISSING PARTS???

Call Rugged Liner at

800-433-3604

Any required parts will be shipped to you directly.
(DO NOT return whole kit to store)

TOOLS REQUIRED:

- Ratchet using 10mm socket in steps 3 & 6.

1

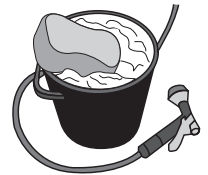
PLEASE READ INSTRUCTIONS CAREFULLY BEFORE STARTING THE INSTALLATION.
One person can perform the installation.



2

VEHICLE PREPARATION:

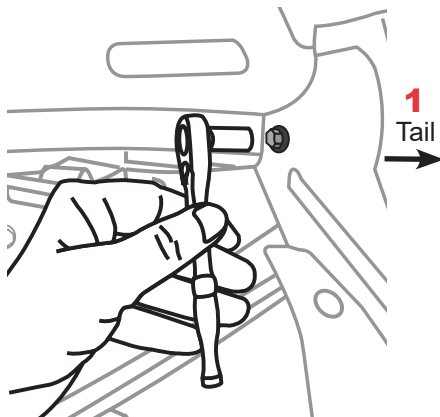
It is important that all areas where the wheel wells mount are clean and free of debris prior to installing.



3

Start on the driver side using a ratchet with 10mm socket to remove the fastener toward the tail end of the wheel housing 1.
(Save the fastener).

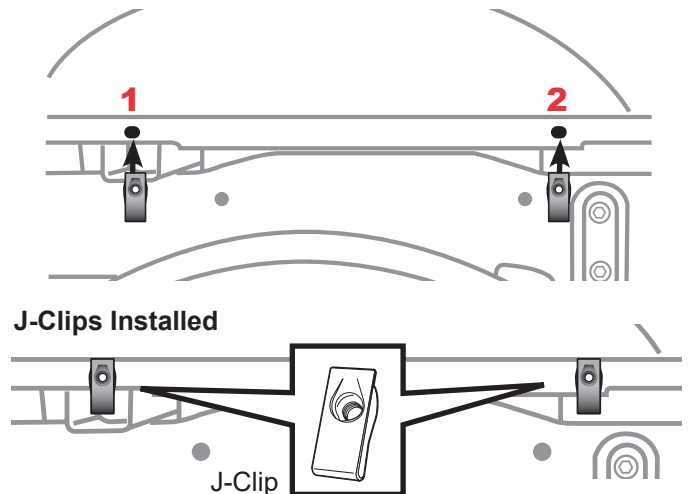
Note: Ford F150 application - No fastener toward cab to remove.



4

Locate the two holes at the back area of the wheel housing and insert one J-Clip (C) in each hole 1 & 2.

Shows Orientation of J-Clips Facing Cab

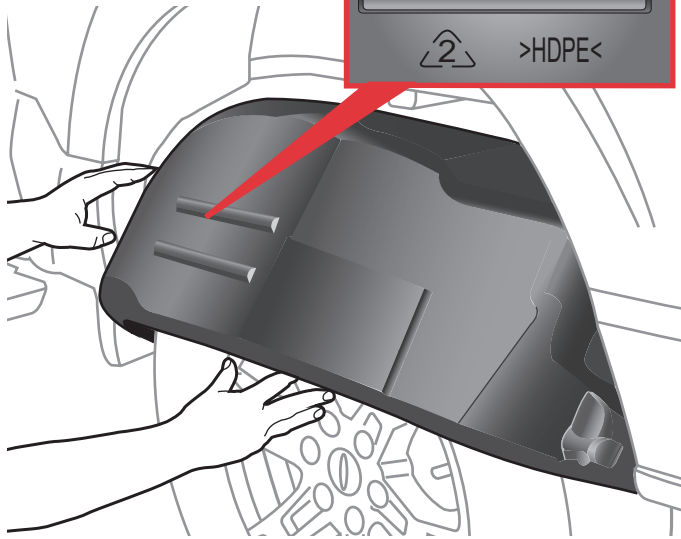


INSTALLATION SHEET

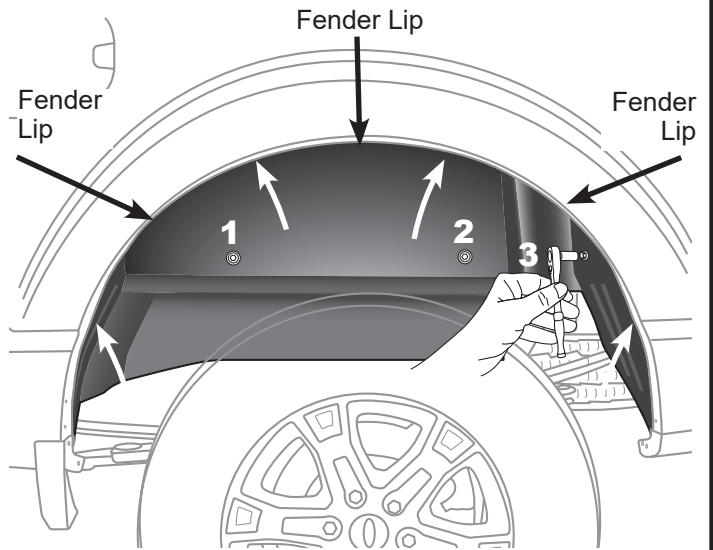
RUGGED LINER

21+ FORD F150

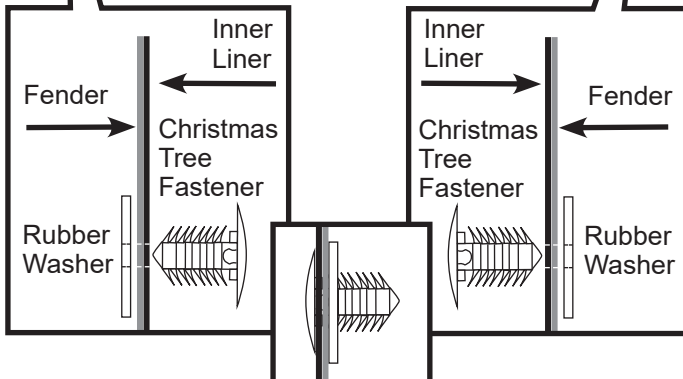
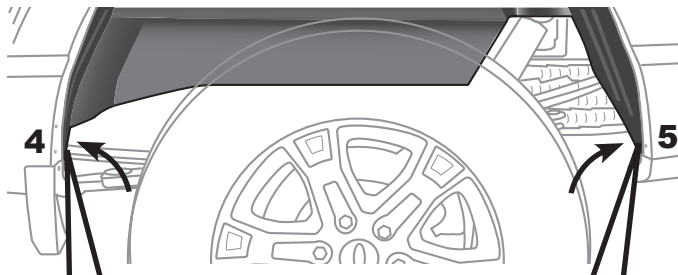
- 5** Start on the driver side by setting the driver side wheel well (A) marked as (DS) inside the inner panel of the truck's wheel well behind the tire.



- 6** Tuck the bottom sides of the lower part of the wheel well liner behind the metal lip of truck's fender and then tuck the upper part. Then install one screw (D) and one rubber washer (E) provided in each hole **1 & 2** using a ratchet with 10mm socket. After that re-install the fastener saved in step 3 in hole **3** using a ratchet with 10mm socket.



- 7** Then install one Christmas tree fastener (F) and one rubber washer (E) provided in each hole **4 & 5** pushing inner liner against fender.



- 8** Repeat steps 3-7 on the passenger side when installing the passenger side wheel well (B).

