

! IMPORTANT

READ BEFORE YOU BEGIN INSTALLATION

IT IS CRITICAL FOR YOUR SAFETY THAT YOU CAREFULLY READ AND FOLLOW THE SAFETY CAUTIONS AND INSTALLATION INSTRUCTIONS BOTH PRIOR TO AND DURING INSTALLATION.

USER SAFETY CAUTION

During installation, be mindful of the potential for sharp edges on the product or vehicle. Taking proper safety precautions helps ensure a safe and smooth installation process.



Always wear protective gloves and handle components with care to reduce the risk of injury.

TEMPERATURE SURFACE CAUTION

During high temperatures or extended sun exposure, surfaces of this product may become hot to the touch, posing a risk of burns or injury. Use caution when handling the product in hot weather and allow time for it to cool before contact.



Always check surface temperature before use to ensure safe handling conditions.

FASTENER TORQUE CAUTION

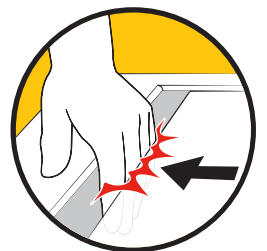
All fasteners must be tightened to the specified torque values provided in the installation instructions to ensure proper fit and safe operation of the tonneau cover. Under- or over-tightening can lead to product failure, potential damage to your vehicle, injury, or safety hazards while driving.



Always use a calibrated torque wrench and follow the specifications in the installation instructions.

PINCH POINT SAFETY CAUTION

This tonneau cover may create pinch points when closing or operating near solid surfaces such as the truck bed rails or tailgate. To prevent injury, keep hands, fingers, and other body parts clear of moving parts during operation.



Always operate the cover slowly and with caution to ensure safe and proper use.

! IMPORTANT

READ BEFORE YOU BEGIN INSTALLATION

IT IS CRITICAL FOR YOUR SAFETY THAT YOU CAREFULLY READ AND FOLLOW THE SAFETY CAUTIONS AND INSTALLATION INSTRUCTIONS BOTH PRIOR TO AND DURING INSTALLATION.

ENTRAPMENT SAFETY WARNING

This tonneau cover does not feature a manual release mechanism from inside the truck bed. To prevent the risk of entrapment, never allow anyone to be inside the bed of the truck when the cover is closed.



Always ensure the area is clear before closing the cover, and keep the cover securely latched when not in use to avoid accidental closure.

PULL STRAP USAGE WARNING

The strap is not designed to support body weight and could detach. For safe operation, the strap is designed to break away if it is misused or becomes entangled with moving parts.

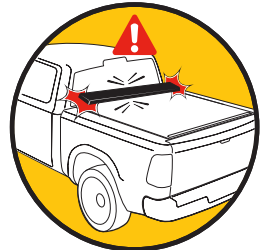


To prevent damage or injury, only use the pull strap for opening and closing the cover. Do not use the tonneau cover pull strap to climb in or out of the truck bed.

LID ATTACHMENT SAFETY WARNING

It is critical to securely attach all hardware components to the tonneau cover lid as instructed. Failure to properly fasten all components may result in the cover becoming loose or detaching from the vehicle.

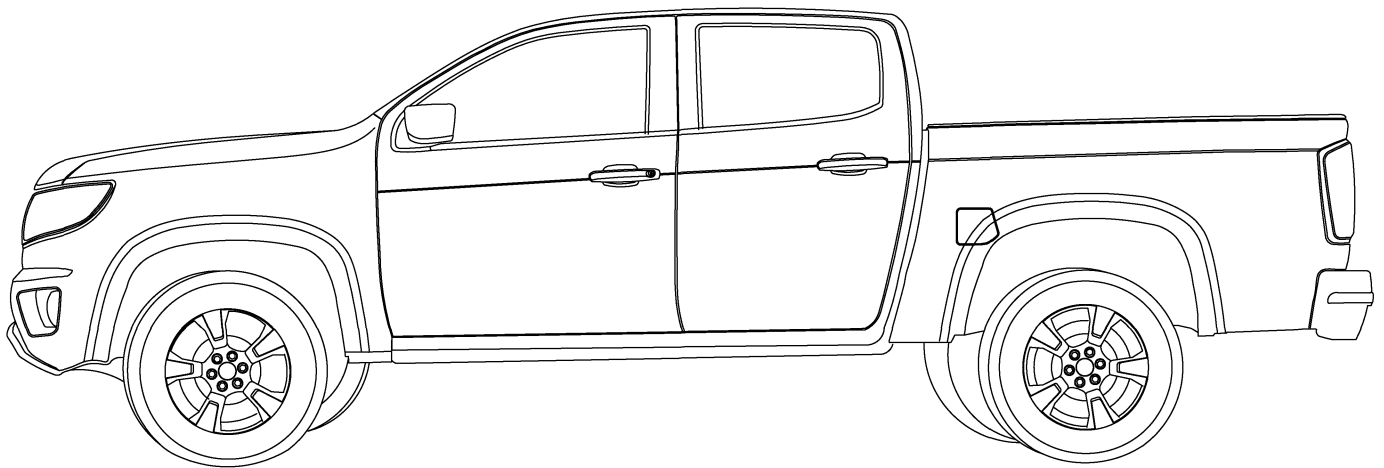
Always double-check that the hardware is correctly installed and tightened before operating the vehicle to ensure your safety and the safety of others on the road.





Installation Guide

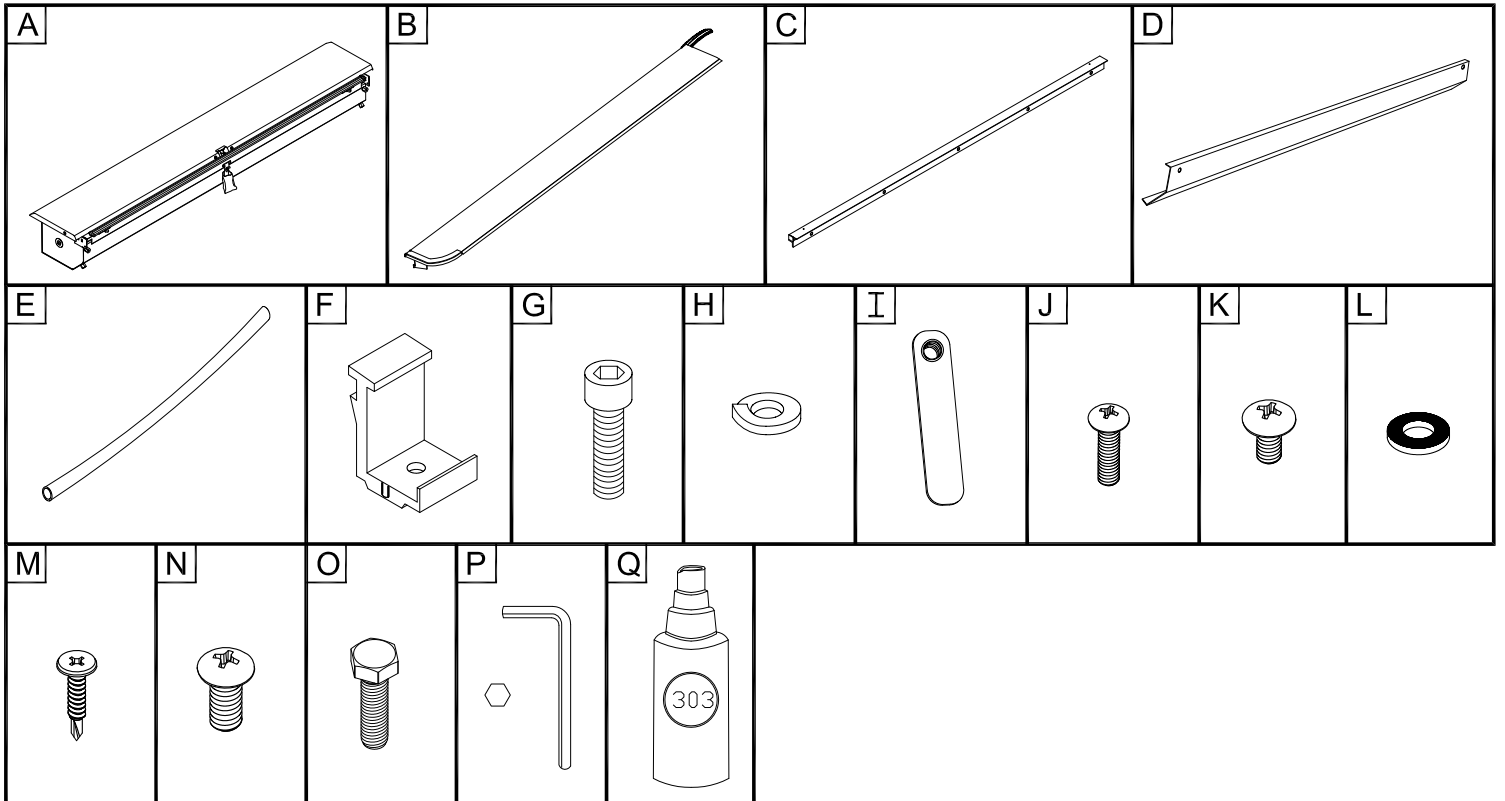
2012 Isuzu D-Max Double Cab



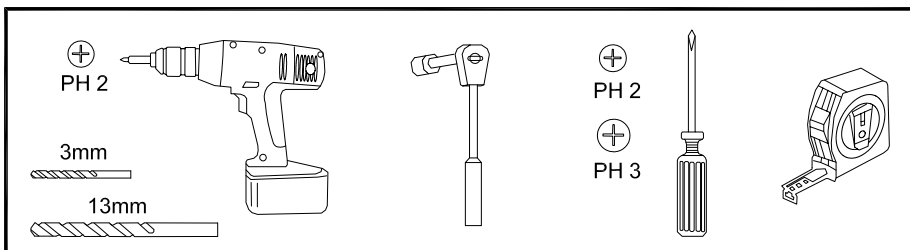
Product Code
247

Parts List

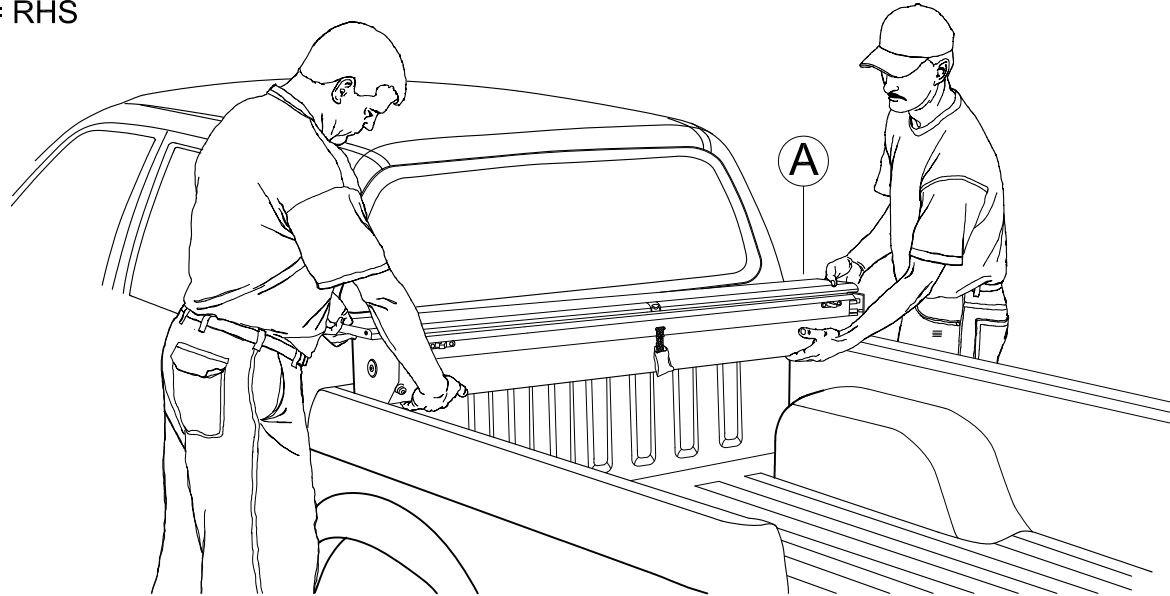
Item	Part Name	Qty.	Item	Part Name	Qty.	Item	Part Name	Qty.
A	Housing	1	G	5/16" Socket Cap Screw	6	M	#8 Tek Screw	5
B	Track	2	H	5/16" Lock Washer	6	N	Lid Screw	2
C	Tailgate Extrusion	1	I	Cargo Nut	2	O	1/4-20 x 1" Bolt	2
D	Cargo Shield	1	J	#10-24 Screw	2	P	Allen Wrench	1
E	Drain Tube	2	K	1/4-20 x 3/8" Screw	4	Q	303 Vinyl Protectant	1
F	(U) Bed Clamp	6	L	Black Rubber Washer	4			



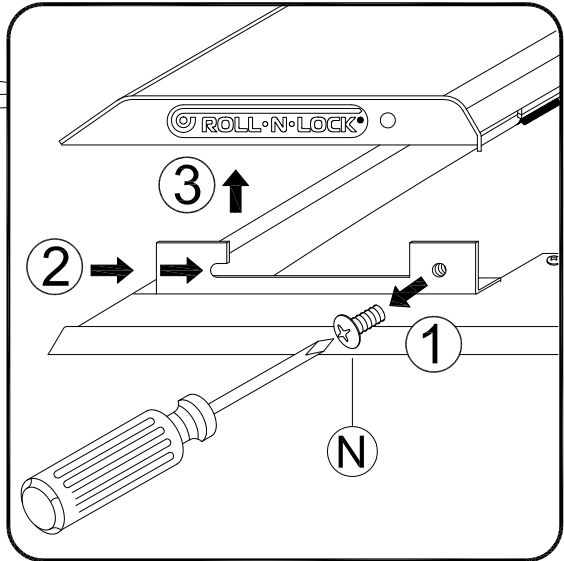
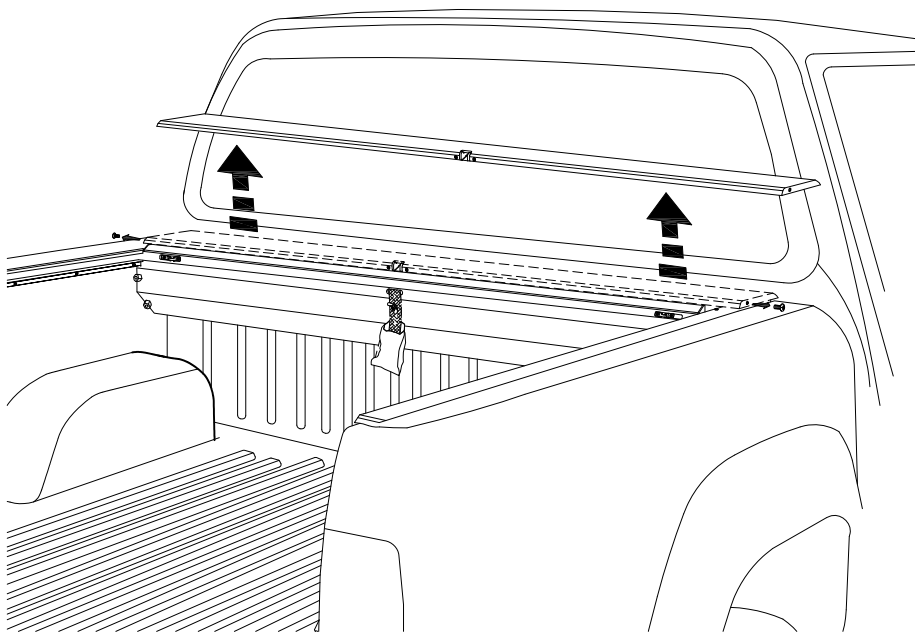
Tools Needed



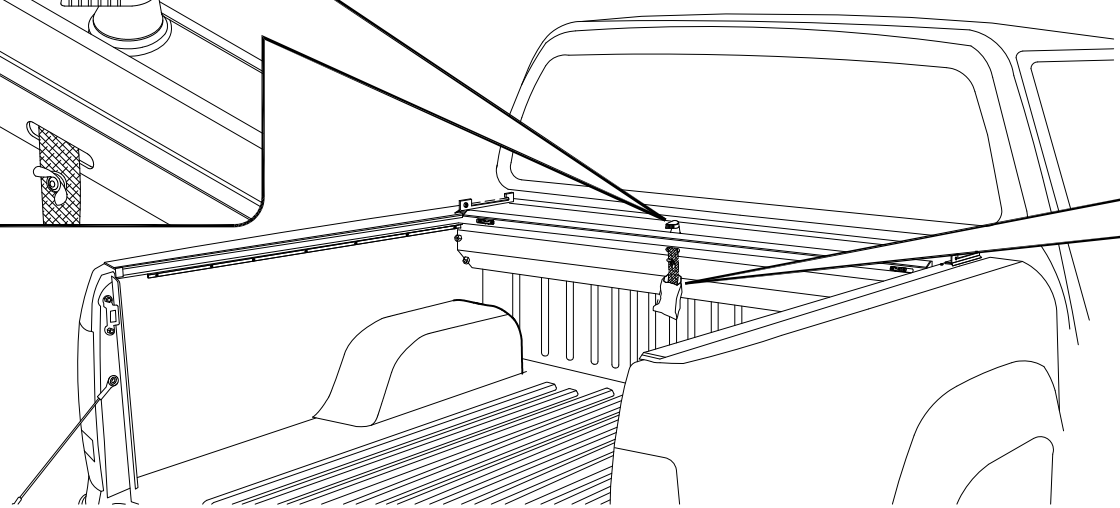
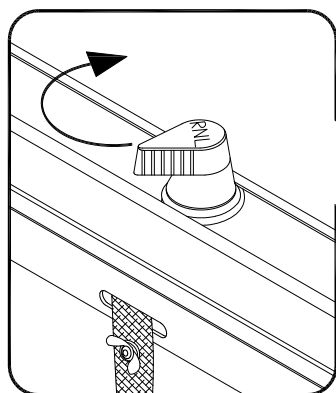
1 LHS = RHS



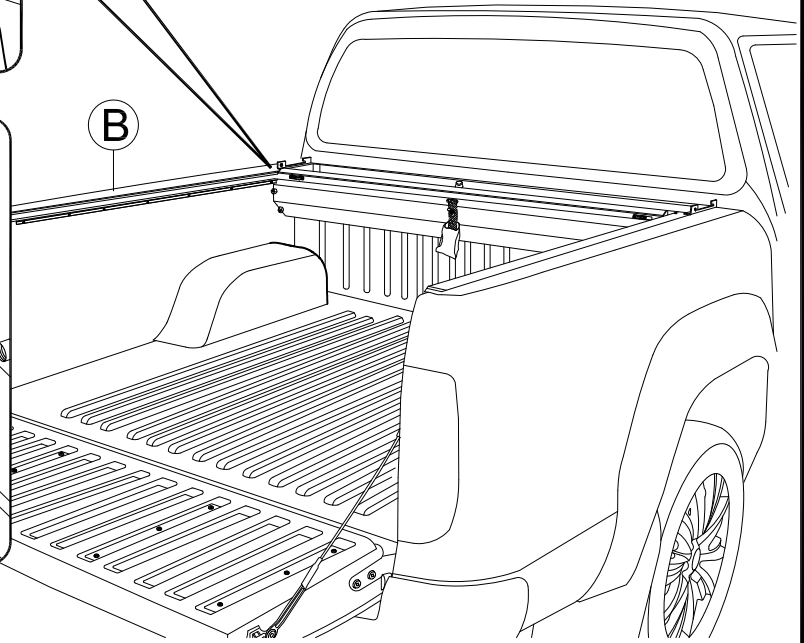
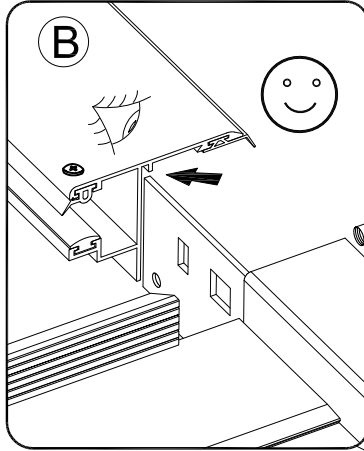
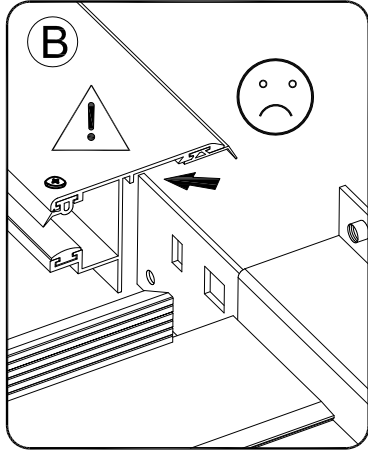
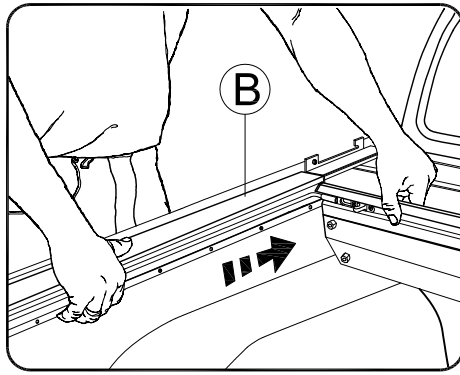
2 LHS = RHS



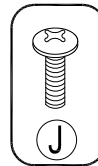
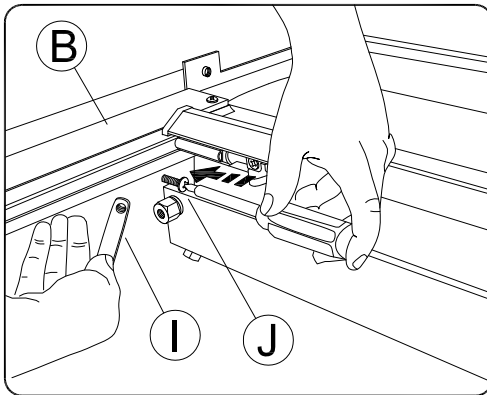
3



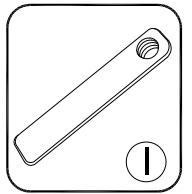
4 LHS = RHS



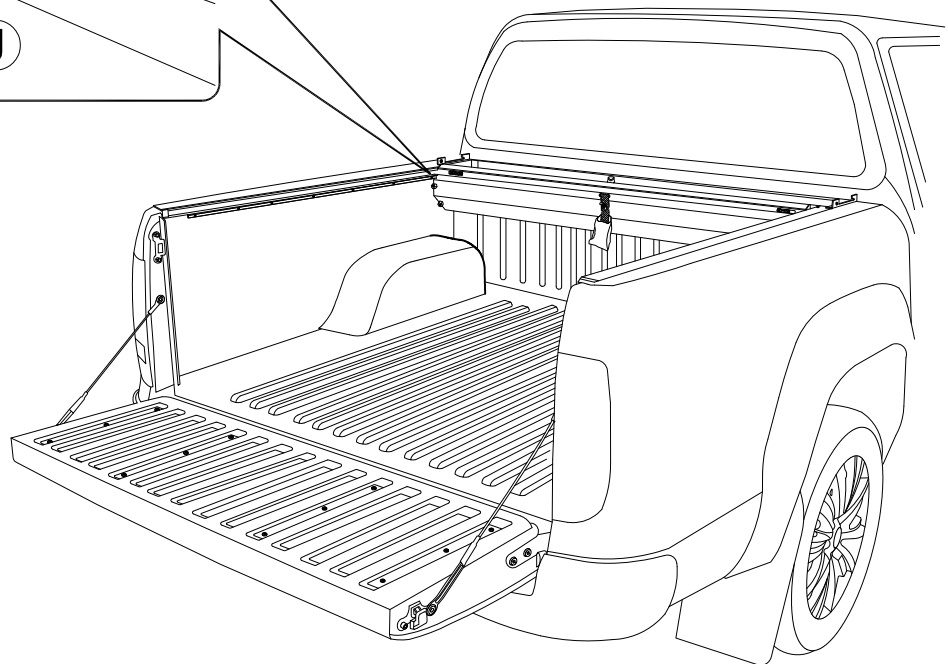
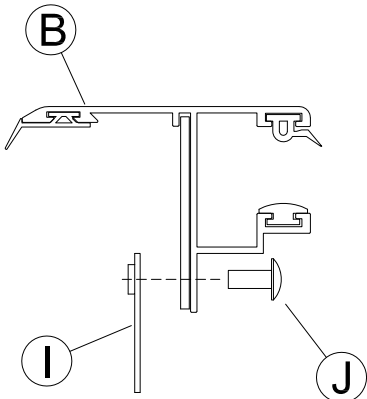
5 LHS = RHS

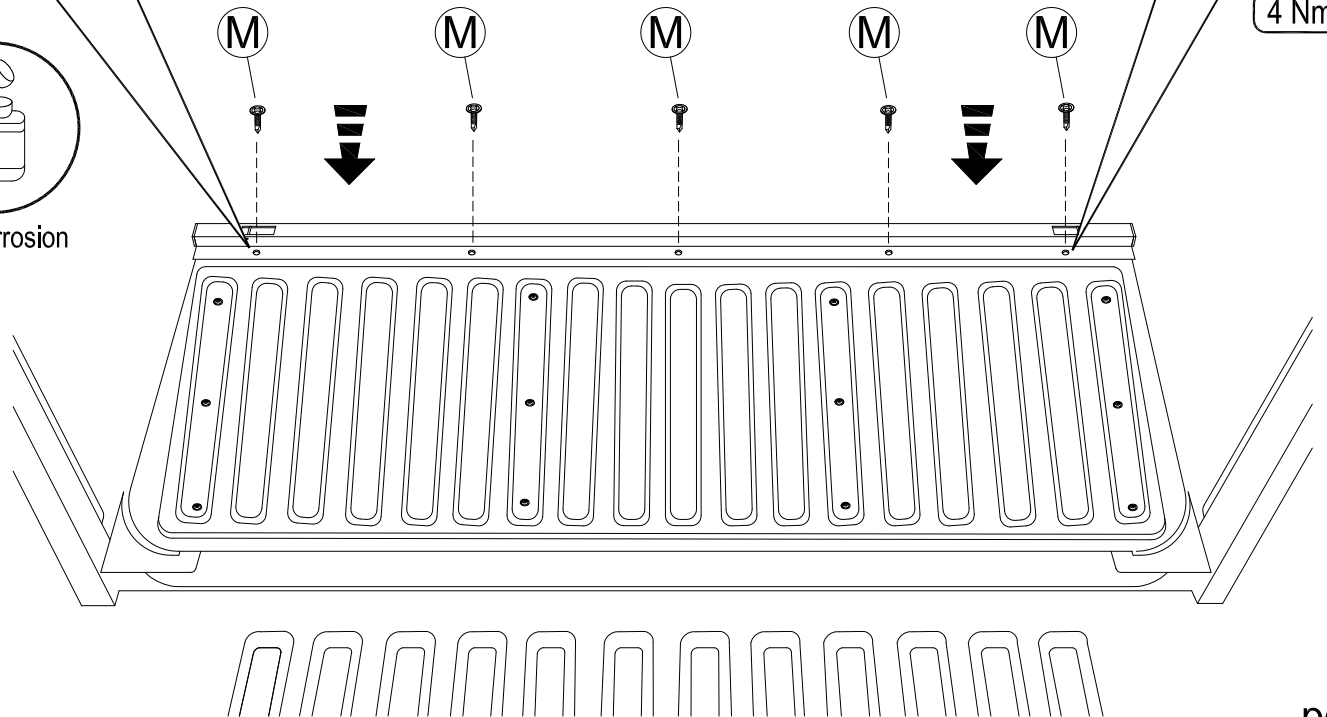
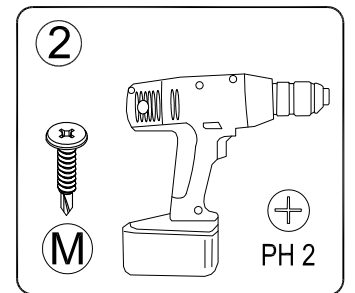
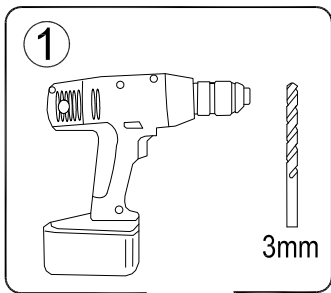
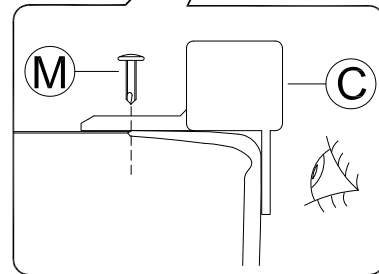
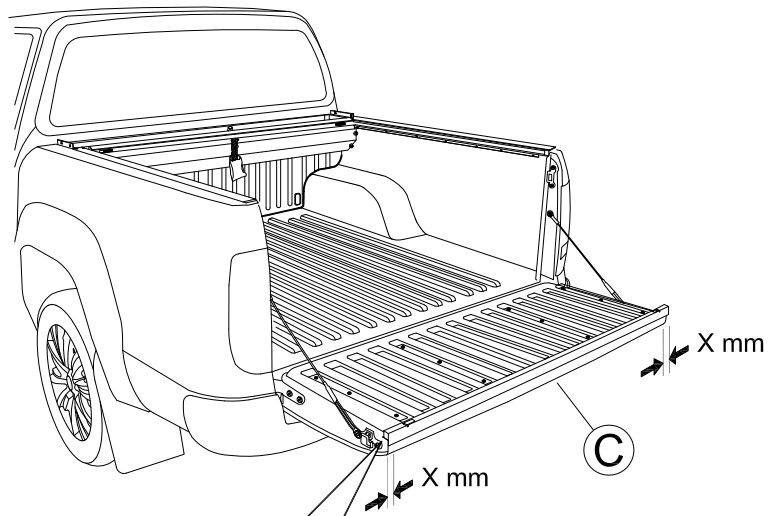
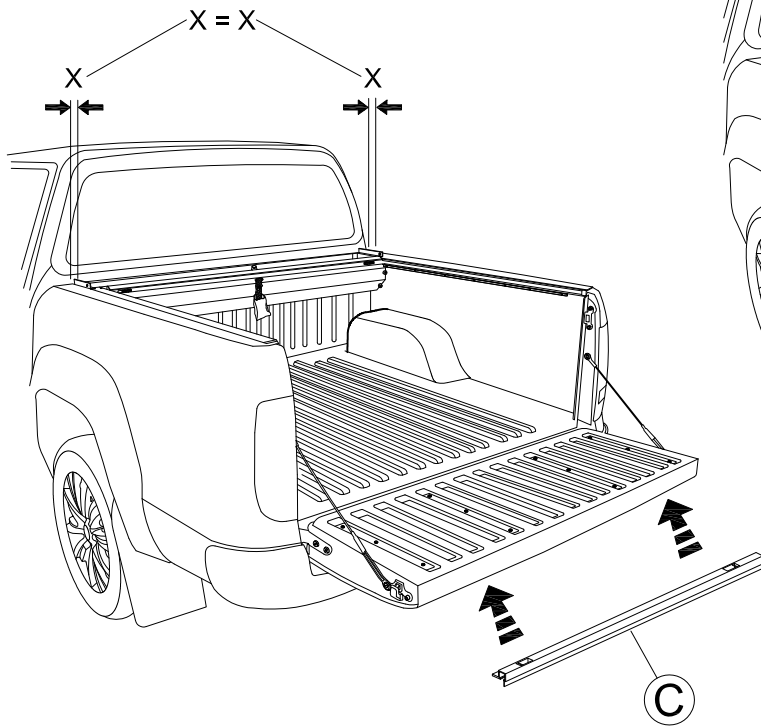
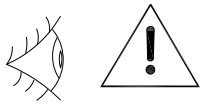


PH 2

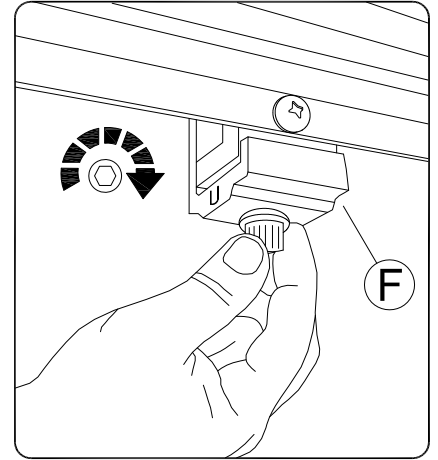
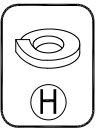
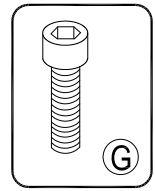
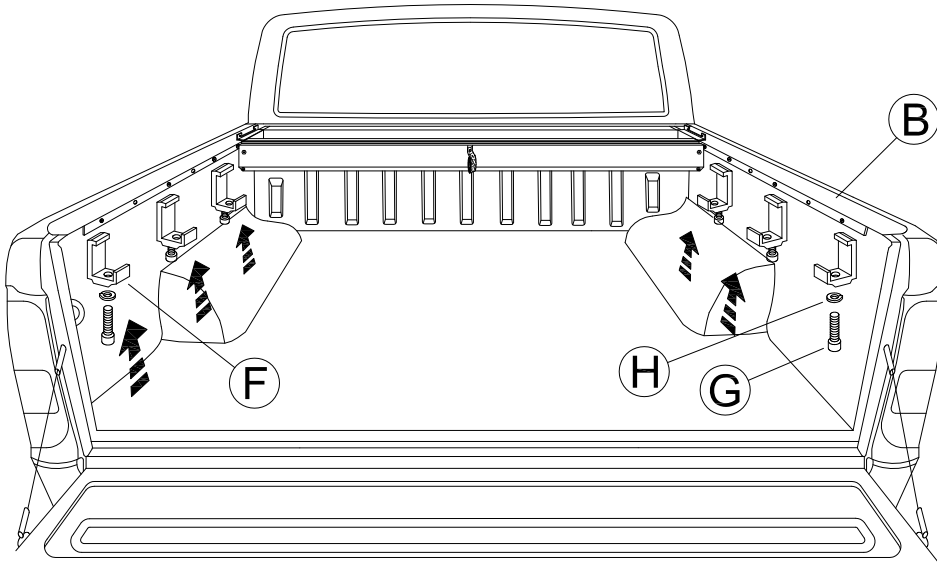


3 Nm

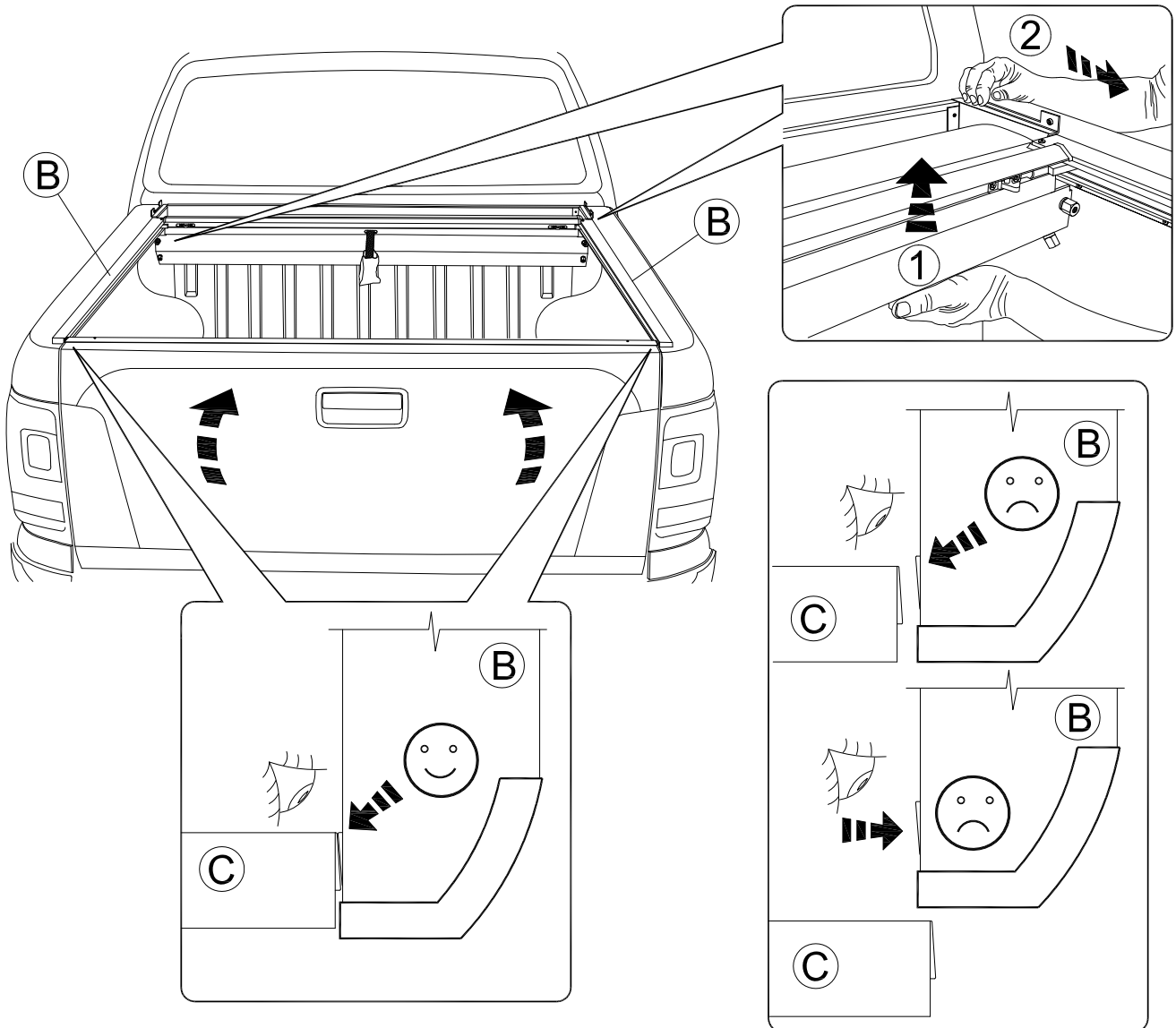


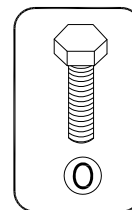
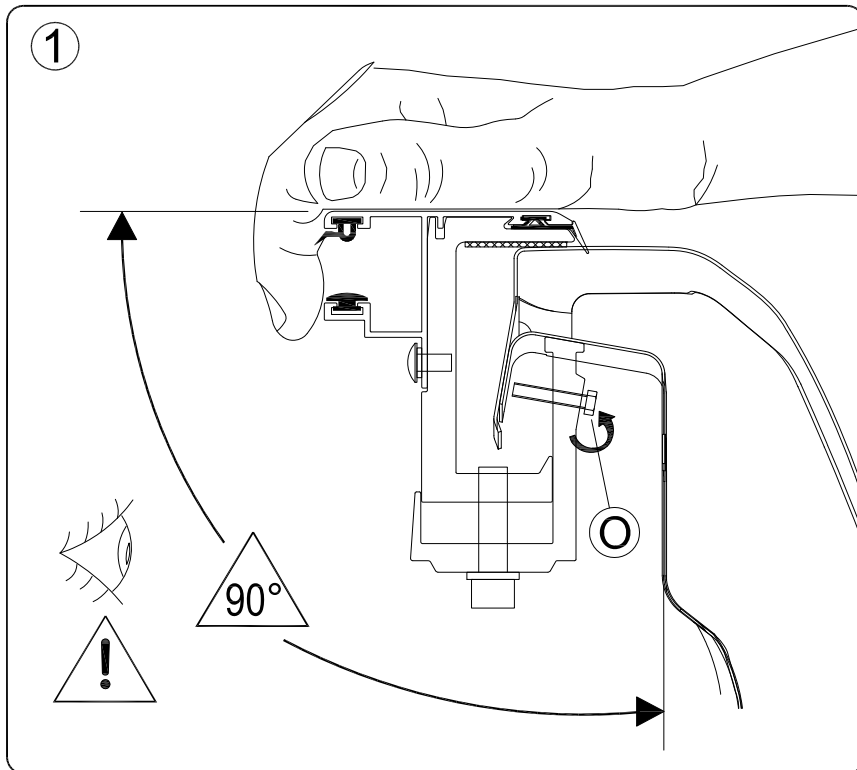
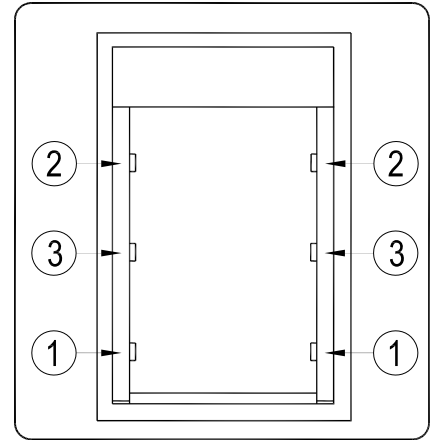
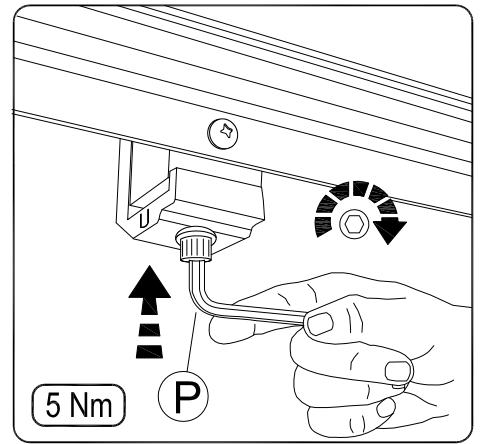
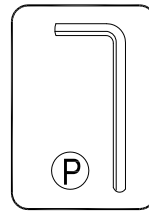
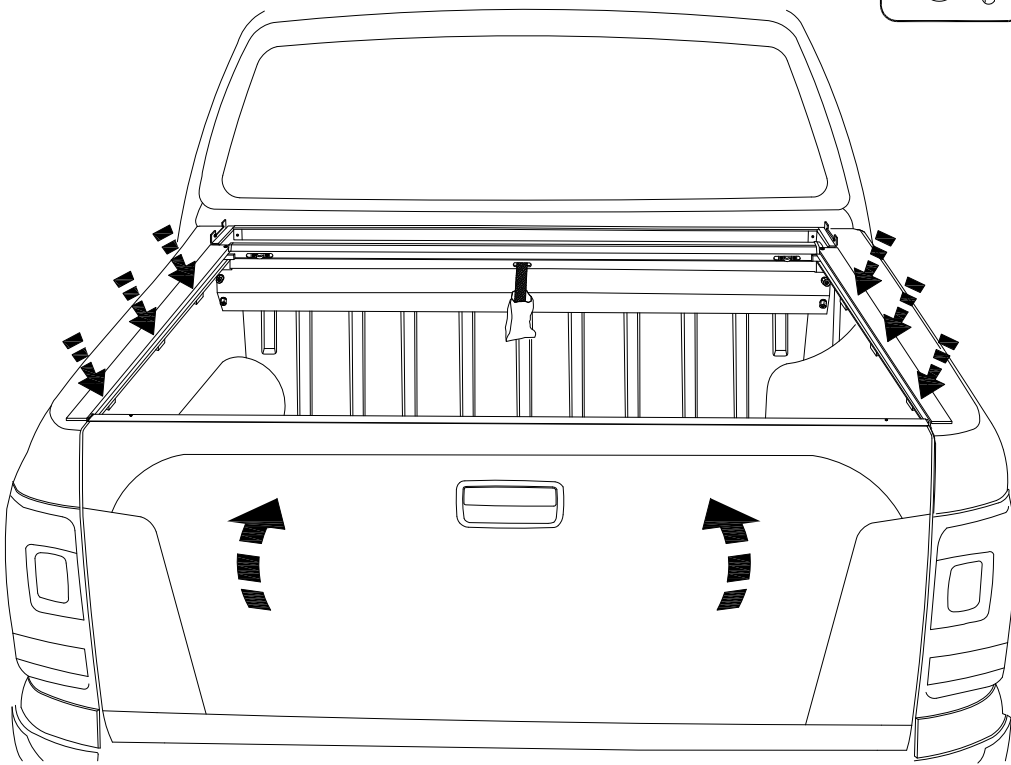


7 LHS = RHS

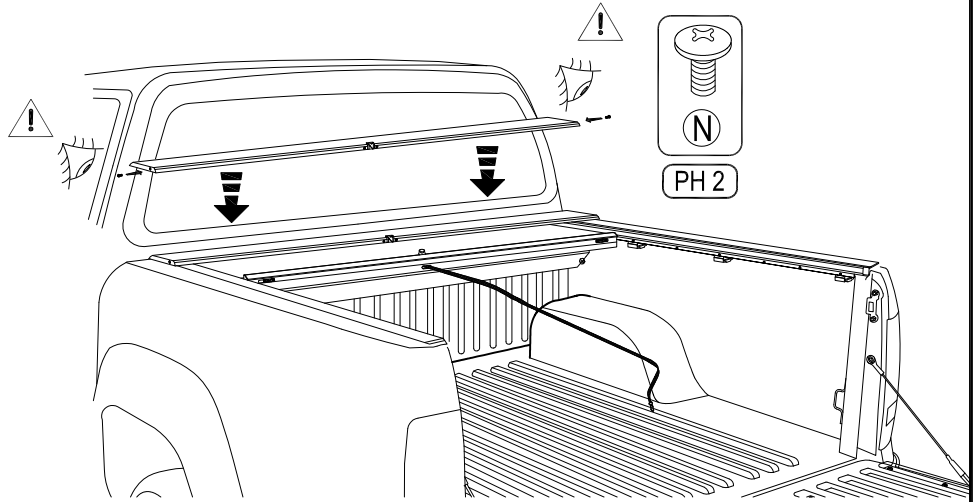
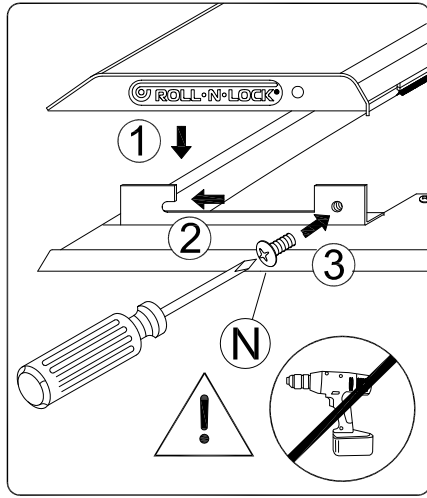
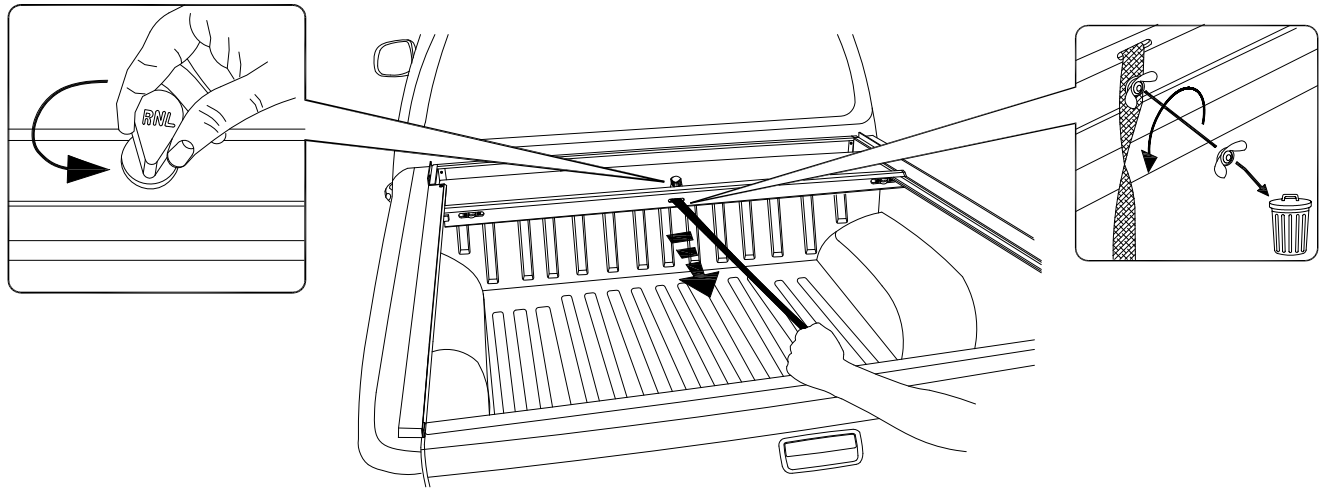


8 LHS = RHS





10



11 LHS = RHS

