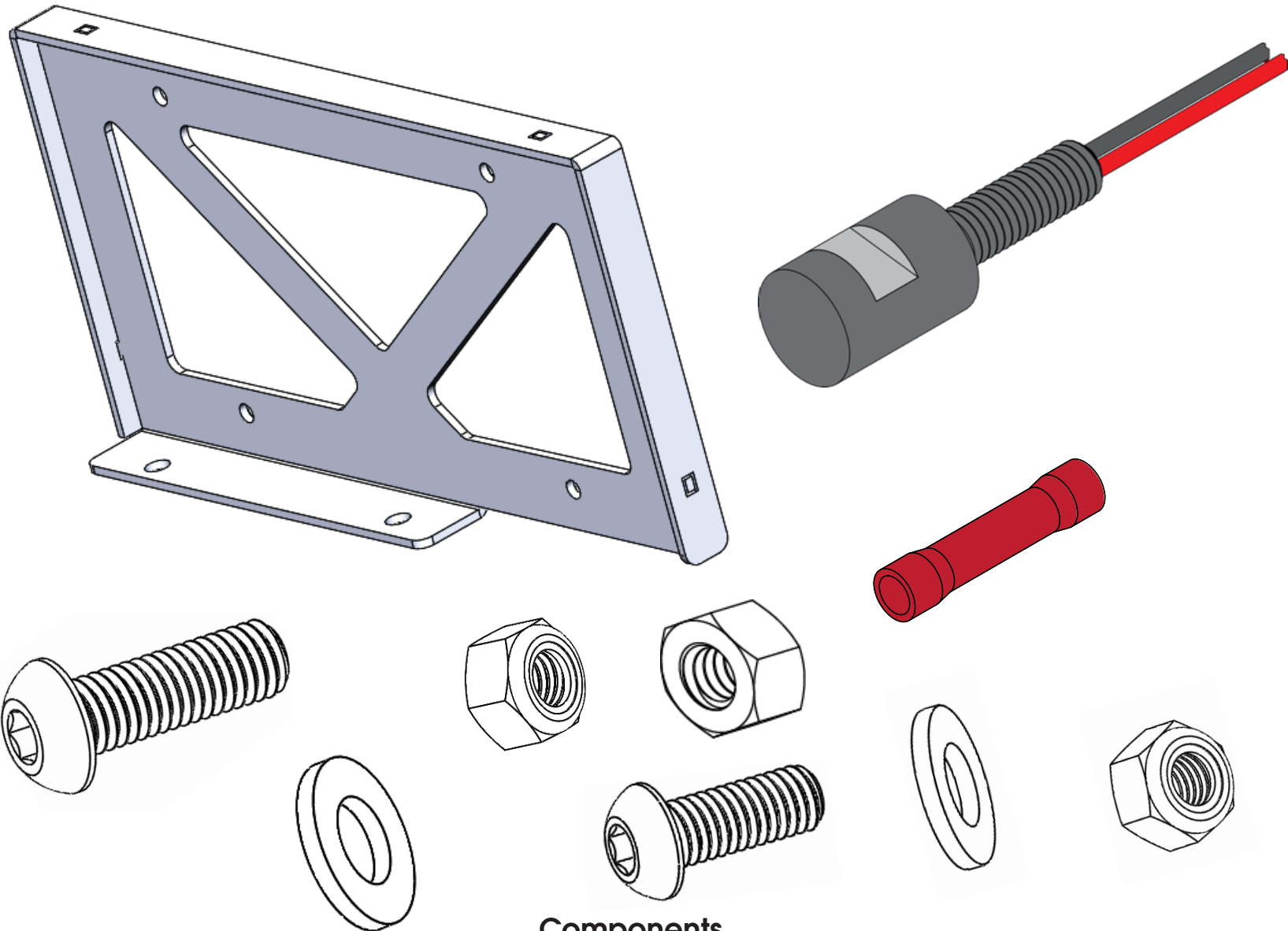


License Plate Mount; Universal



Components

1. License Plate Frame.....	1	6. M6 Button Head Bolt.....	2
2. M8 Button Head Bolt.....	2	7. M6 Flat Washer.....	8
3. M8 Flat Washer.....	4	8. M6 Nyloc Nut.....	2
4. M8 Nyloc Nut.....	2	9. LED License Plate Bolt.....	2
5. Butt Connector.....	4	10. M6 Hex Nut.....	1

OMIX-ADA® TECHNICAL SUPPORT

PHONE: M-F 8am - 5pm EST 1-800-449-6649

FOR WARRANTY OR TECH CONCERNS EMAIL: webmaster@omixsupport.com

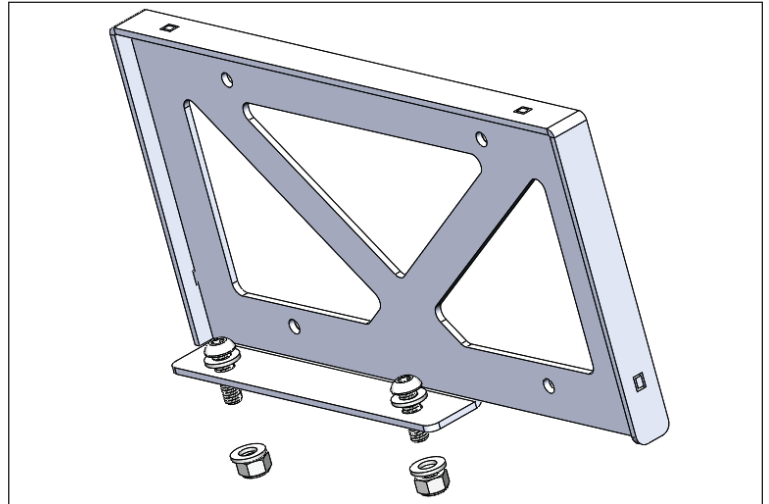
ATTN: STATE OF CALIFORNIA CONSUMERS

⚠ WARNING: Cancer and Reproductive Harm - www.P65Warnings.ca.gov.

License Plate Mount; Universal

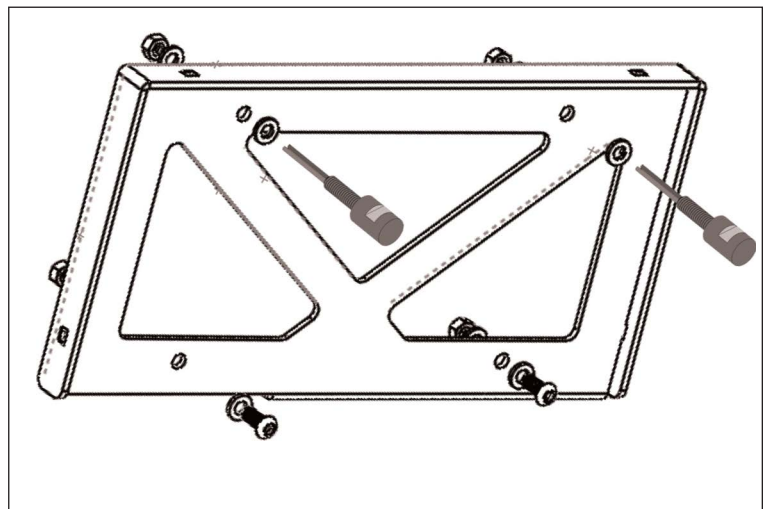
1. Place the universal tag bracket to desired location. Make sure there are no hidden interferences, such as the tailgate or lights. Once the best location is determined, hold bracket in place and mark the two mounting holes. Using a punch, tap the center of each marked hole. Next drill holes starting with smaller bits and ending with a 11/32" bit. Clean holes of any debris.

Place the bracket in it's location. Place an M8 button bolt and a M8 washer through the bracket and through the hole you drilled. Fasten with an M8 flat washer and M8 nyloc nut.



2. Now attach your license plate using the LED Bolt Lights on the top and the M6 hardware at the bottom.

It's required by law to have lights for your tag.



NOTE: Depending on the location of your mount, additional wire may be required for the following steps.

3. Cut and strip license plate light wiring two inches from plug.

4. Using supplied butt connector splice red wires into positive wire from license plate wiring.

5. Using supplied butt connector splice black wires into negative wire from license plate wiring.

6. Turn on lights and aim correctly at license plate.

