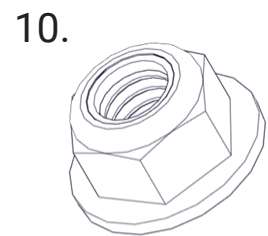
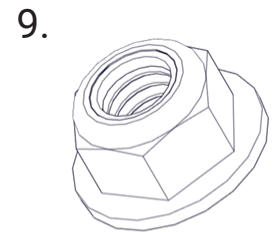
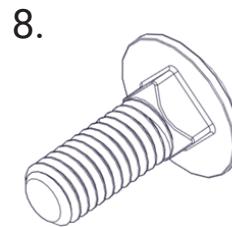
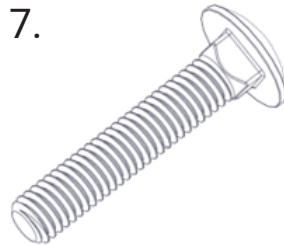
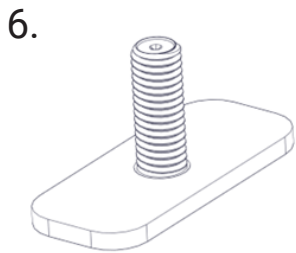
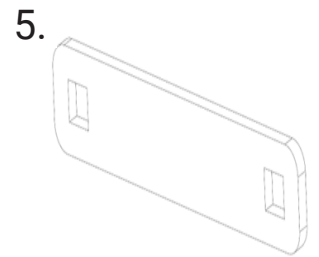
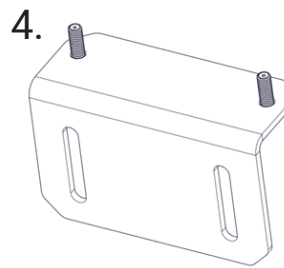
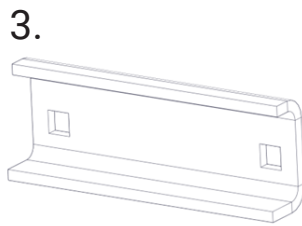
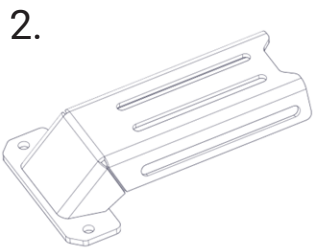
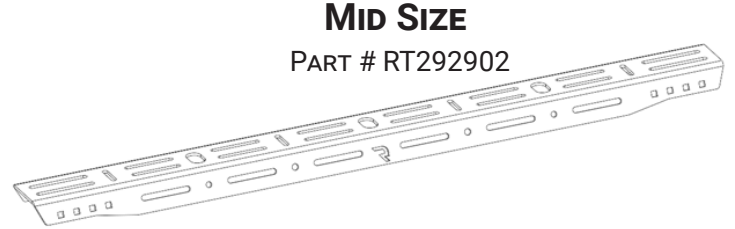
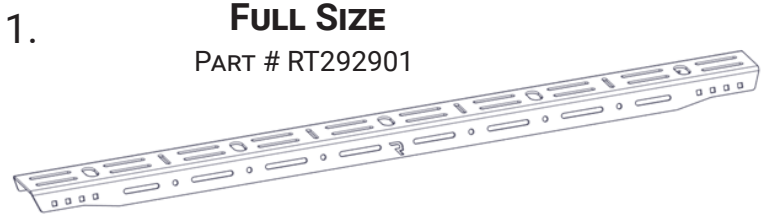


Part # RT292901 or RT292902

Components and Hardware:



Components and Hardware:

1. HD Universal Bed Cross Bars, Full or Mid Size	(2)
2. Base Leg.....	(4)
3. Bed Wall Clamp.....	(4)
4. Bed Side Mounting Plate.....	(4)
5. Bed Rail Stud Plate	(4)
6. T-Slot Stud Plate.....	(8)
7. 3/8-16 x 2" Carriage Bolt, Long.....	(8)
8. 3/8-16 x 1" Carriage Bolt, Short	(16)
9. 3/8-16 Flange Nut.....	(24)
10. M8 Flange Nut.....	(8)

Tools for Installation:

- 13mm Wrench or Ratchet
- 9/16 Wrench

Prior to Installation:

There are 3 different mounting options. See images below to determine which will work for your truck.

**Bed Wall
Clamp
Mounting**



**Bed Rail
Mounting**



**T-Slot
Rail
Mounting**



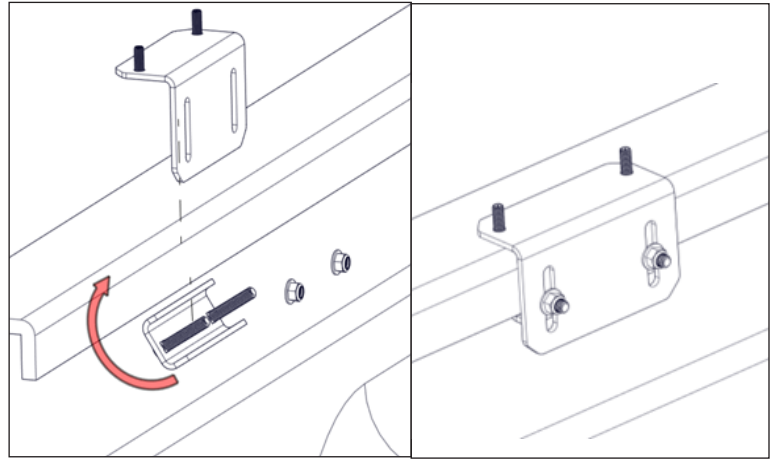
HD Universal Bed Cross Bars, Full or Mid Size

Bed Wall Clamp Mounting

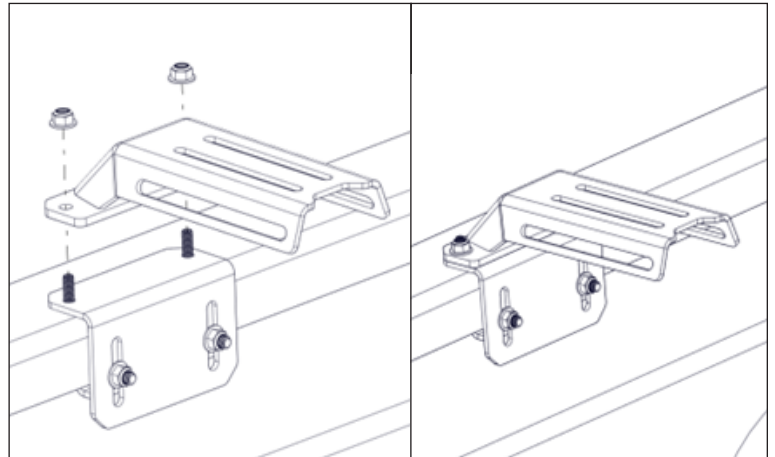
1. Insert two Long 3/8-16 x 2" Carriage Bolts (#7) through the square holes in the Bed Wall Clamp (#3).

Rotate the SHORTER leg of the Bed Wall Clamp (#3) up under the sheet metal lip of the truck bed at the desired location of the HD Universal Bed Cross Bar (#1).

Align the Long 3/8-16 x 2" Carriage Bolts (#7) through the vertical slots in the Bed Side Mounting Plate (#4) then loosely secure with 3/8-16 Flange Nuts (#9).



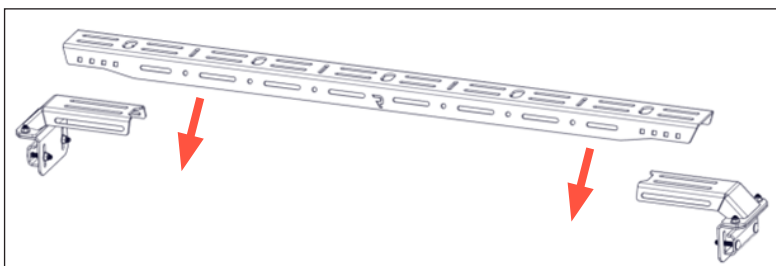
2. Place the Base Leg (#2) onto the Bed Side Mounting Plate (#4) studs and loosely attach with M8 Flange Nuts (#10). Repeat Steps 1-2 on opposite side of truck bed.



3. Place the HD Universal Bed Cross Bar (#1) on the Base Legs (#2) then loosely attach using four Short 3/8-16 x 1" Carriage Bolts (#8) and four 3/8-16 Flange Nuts (#9). Repeat for the other end of the cross bar. Ensure the cross bar is centered and full assembly is in final position then tighten all hardware.

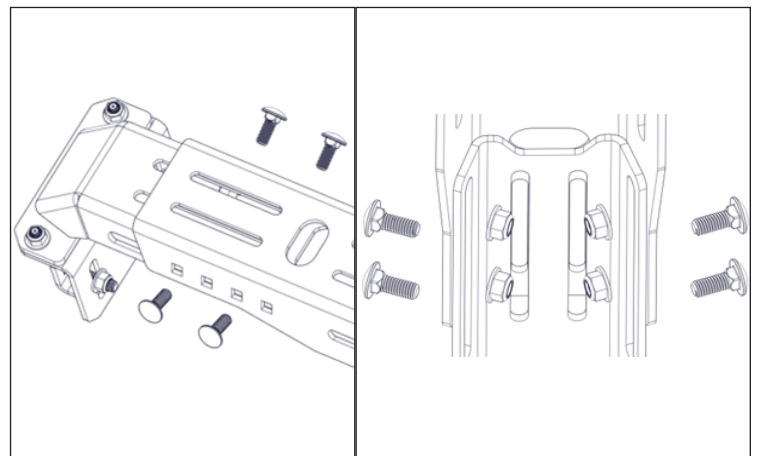
Repeat steps 1-3 for the second cross bar.

Note: You will have components left over depending on the installation method used.



BOLT PLACEMENT

UNDER SIDE VIEW FOR NUT PLACEMENT

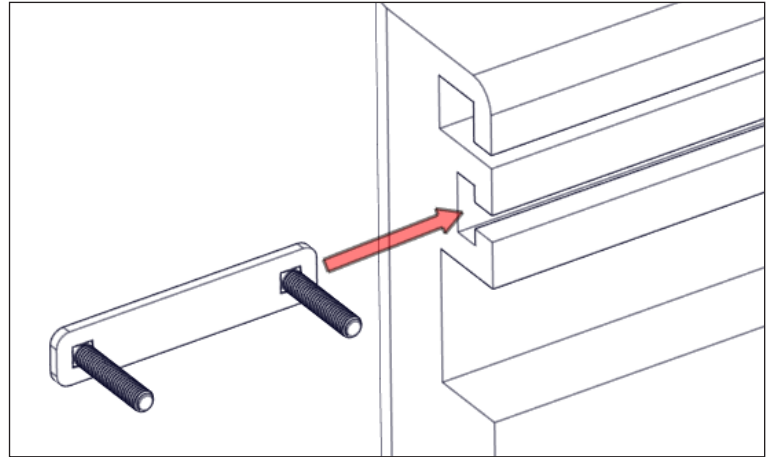


HD Universal Bed Cross Bars, Full or Mid Size

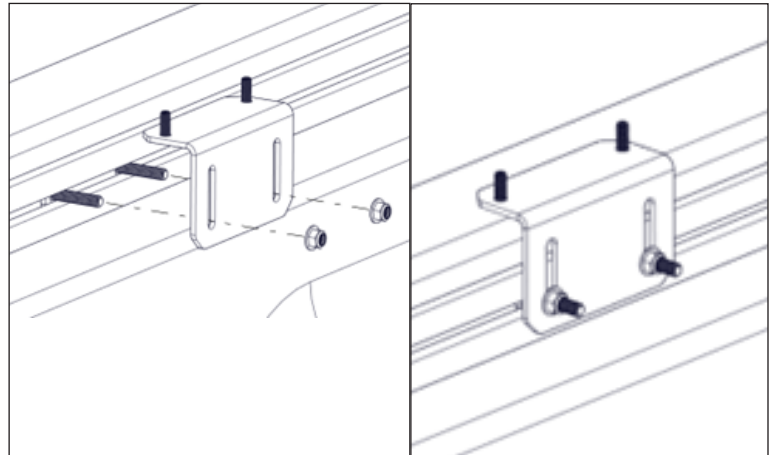
Bed Rail Mounting

1. Insert two Long 3/8-16 x 2" Carriage Bolts (#7) through the square holes in the Bed Rail Stud Plate (#5).

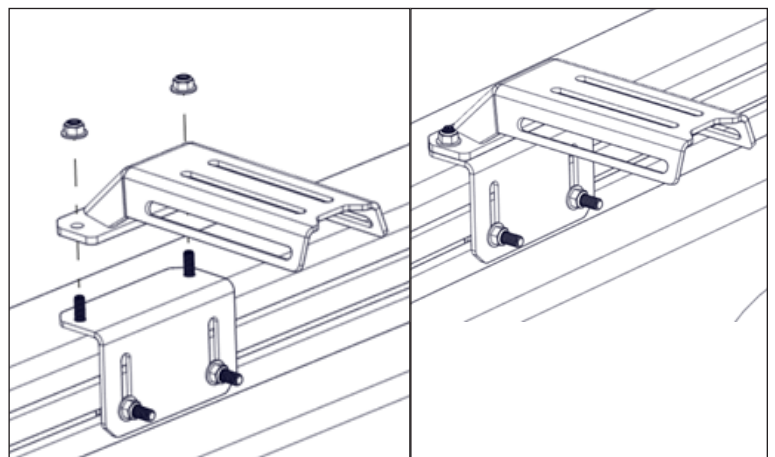
Slide the Bed Rail Stud Plate (#5) into the bed rail then to the desired position of the cross bar.



2. Align the Long 3/8-16 x 2" Carriage Bolts (#7) through the vertical slots in the Bed Side Mounting Plate (#4) then loosely attach with 3/8-16 Flange Nuts (#9).



3. Place the Base Leg (#2) onto the Bed Side Mounting Plate (#4) studs and loosely attach with M8 Flange Nuts (#10). Repeat Steps 1-3 on opposite side of truck bed.

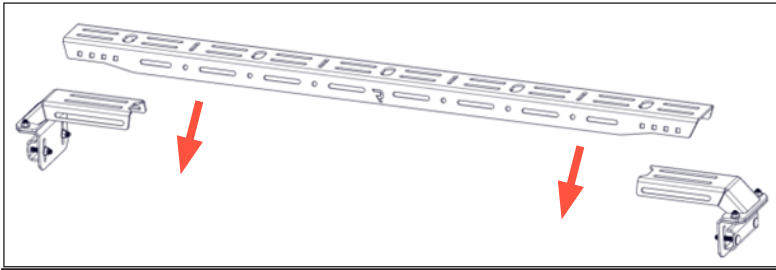


HD Universal Bed Cross Bars, Full or Mid Size

4. Place the HD Universal Bed Cross Bar (#1) on the Base Legs (#2) then loosely attach using four Short 3/8-16 x 1" Carriage Bolts (#8) and four 3/8-16 Flange Nuts (#9). Repeat for the other end of the cross bar. Ensure the cross bar is centered and full assembly is in final position then tighten all hardware.

Repeat steps 1-4 for the second cross bar.

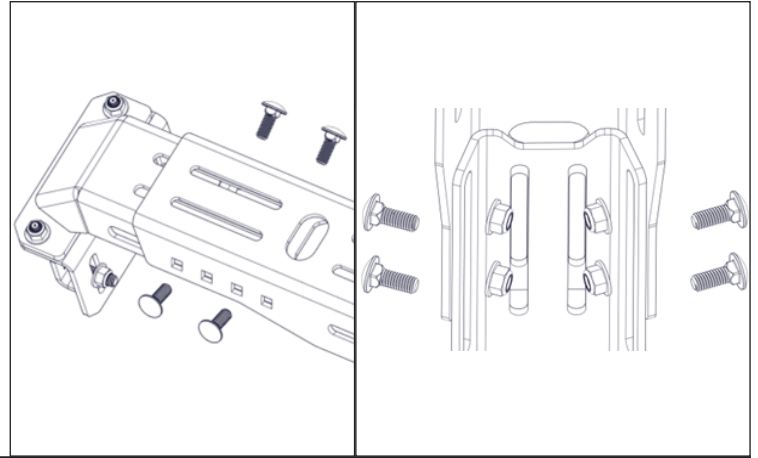
Note: You will have components left over depending on the installation method used.



BOLT PLACEMENT

UNDER SIDE VIEW FOR

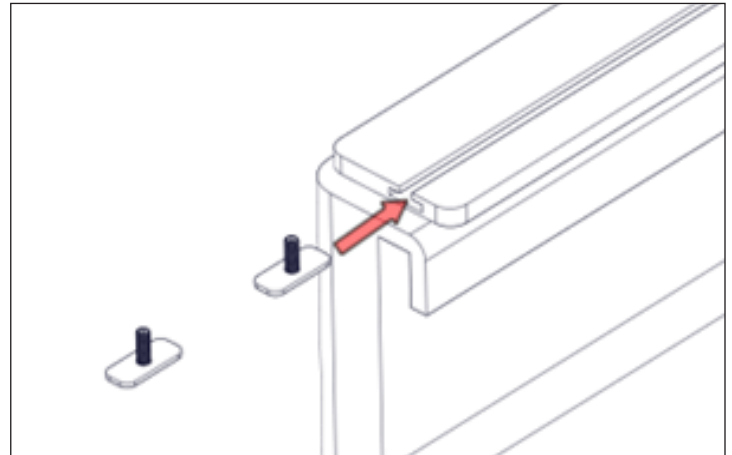
NUT PLACEMENT



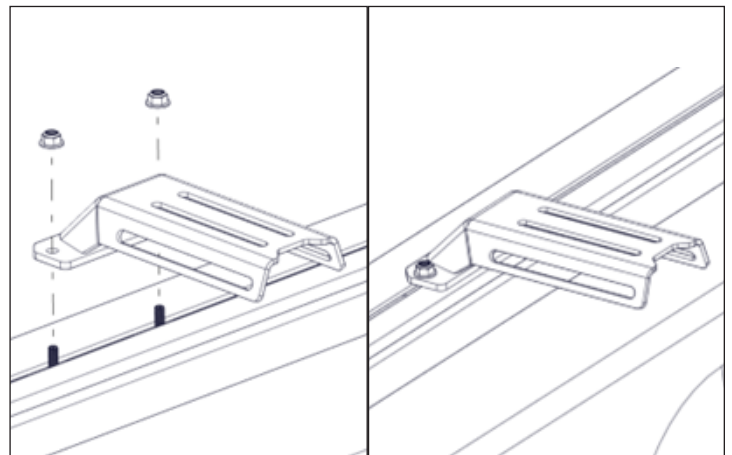
T-Slot Rail Mounting

1. Insert two T-slot Stud Plates (#6) into each T-Slot channel.

Slide the T-slot Stud Plates (#6) into the desired position of the crossbar.



2. Align and insert the T-slot Stud Plates (#6) with the holes in the Base Leg (#2) and loosely attach with M8 Flange Nuts (#10). Repeat Steps 1-2 on opposite side of truck bed.

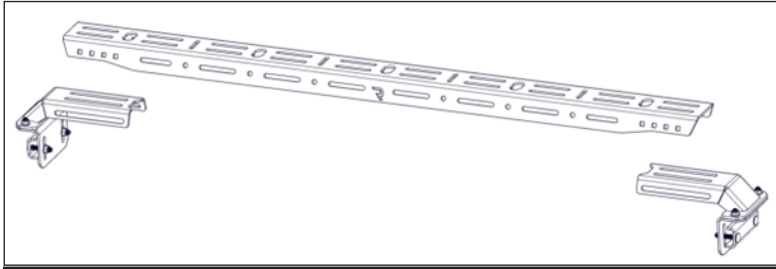


HD Universal Bed Cross Bars, Full or Mid Size

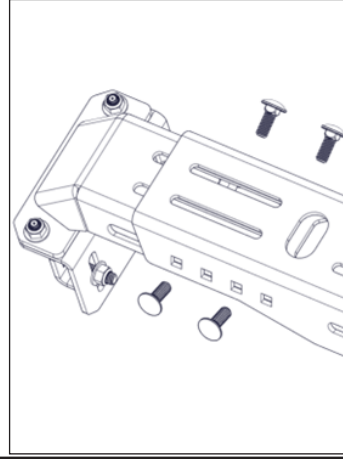
3. Place the HD Universal Bed Cross Bar (#1) on the Base Legs (#2) then loosely attach using four Short 3/8-16 x 1" Carriage Bolts (#8) and four 3/8-16 Flange Nuts (#9). Repeat for the other end of the cross bar. Ensure the cross bar is centered and full assembly is in final position then tighten all hardware.

Repeat steps 1-3 for the second cross bar.

Note: You will have components left over depending on the installation method used.



BOLT PLACEMENT



UNDER SIDE VIEW FOR

NUT PLACEMENT

