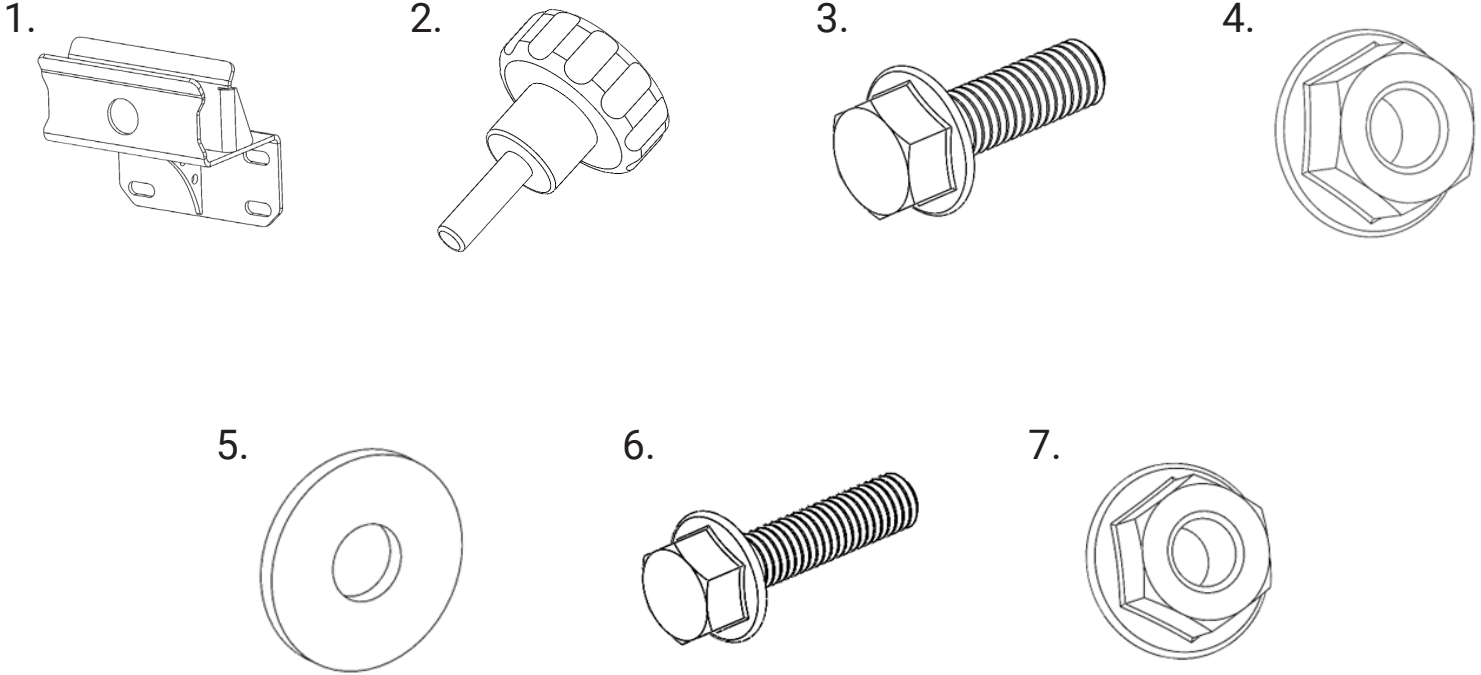


Components and Hardware:



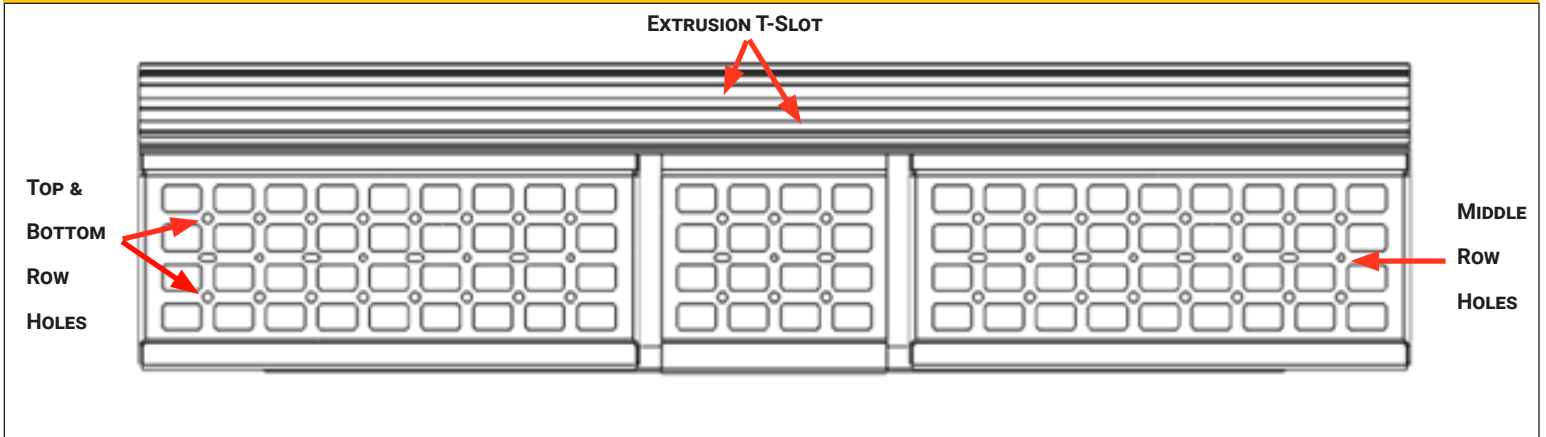
Components and Hardware:

1. Molle Jack Mount	(2)
2. Thumb Screw	(2)
3. M8 Flange Bolt	(4)
4. M8 Locking Flange Nuts	(4)
5. M8 Flat Washer	(16)
6. M6 Flange Bolt	(4)
7. M6 Locking Flange Nuts	(4)

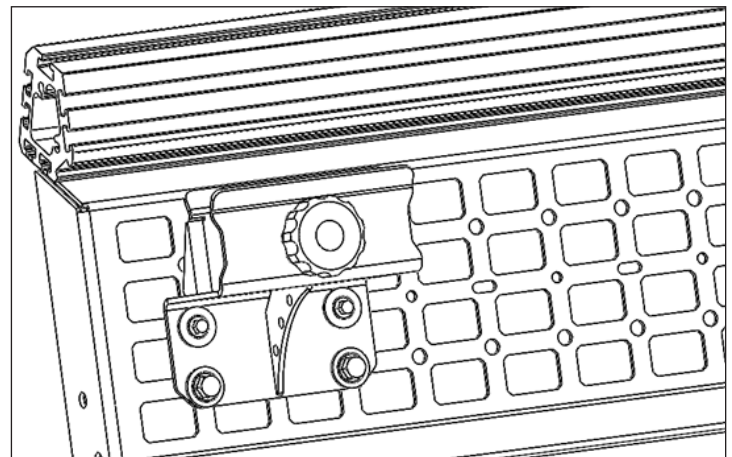
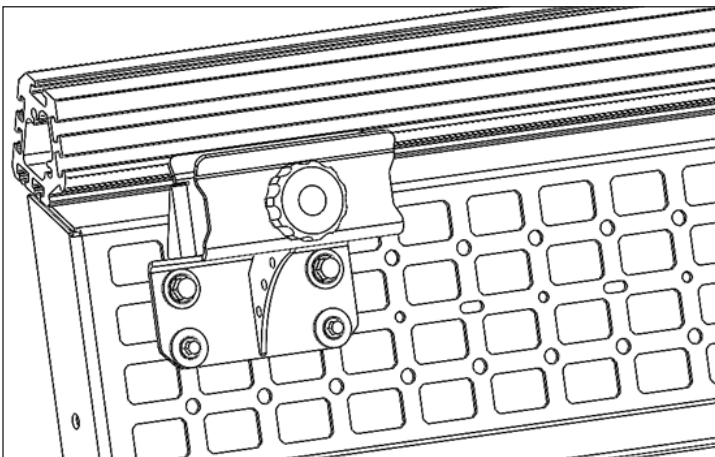
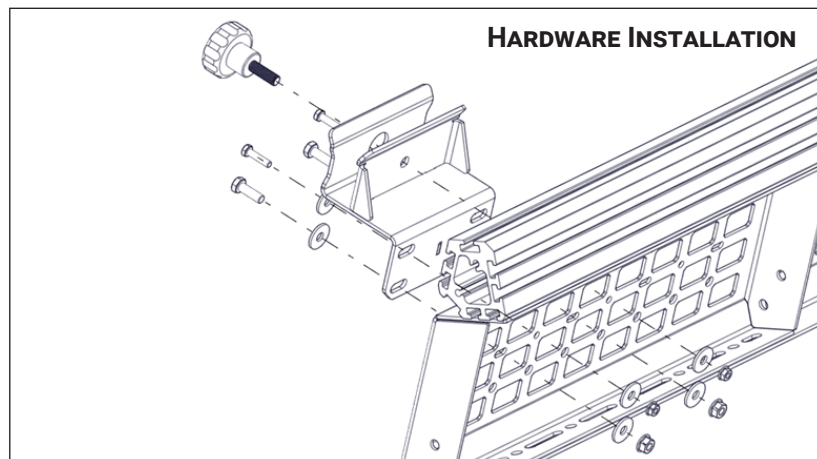
Tools for Installation:

- 10mm Wrench
- 10mm Ratchet
- 13mm Wrench
- 13mm Ratchet

Molle Jack Mount



1. Using the provided hardware, attach the Molle Jack Mount (#1) to your desired location. See mounting options shown in images. The M6 Flange Bolts (#6) and the M6 Locking Flange Nuts (#7) install in the Middle Row Holes. The M8 Flange Bolts (#3), M8 Flat Washer (#5) and M8 Locking Flange Nuts (#4) install in the Top and Bottom Row Holes. It is recommended to space the center of the mounts at least 27 inches apart to properly support the weight of the jack.



Molle Jack Mount

2. Place your jack in the Molle Jack Mounts (#1) once both are installed. Install the Thumb Screw (#2) through the mount hole, as shown in the hardware installation image, then through the hole in the jack's neck.

