

CUSTOMER SERVICE

PHONE: 800-206-4070, Mon - Fri 8:00 am - 5:00 pm central

EMAIL: retrax@retrax.com

### TOOLS REQUIRED

- Scissors or utility knife
- Isopropyl alcohol
- Spray Bottle w. Soapy Water
- T30 Screwdriver
- T20 Screwdriver
- ½" & ⅝" Drill bit
- Drill
- Tape Measure
- Torque wrench 7-18 ft-lb
- Drill bit & drill

### TOOLS RECOMMENDED

- Hammer
- Pick or small screwdriver

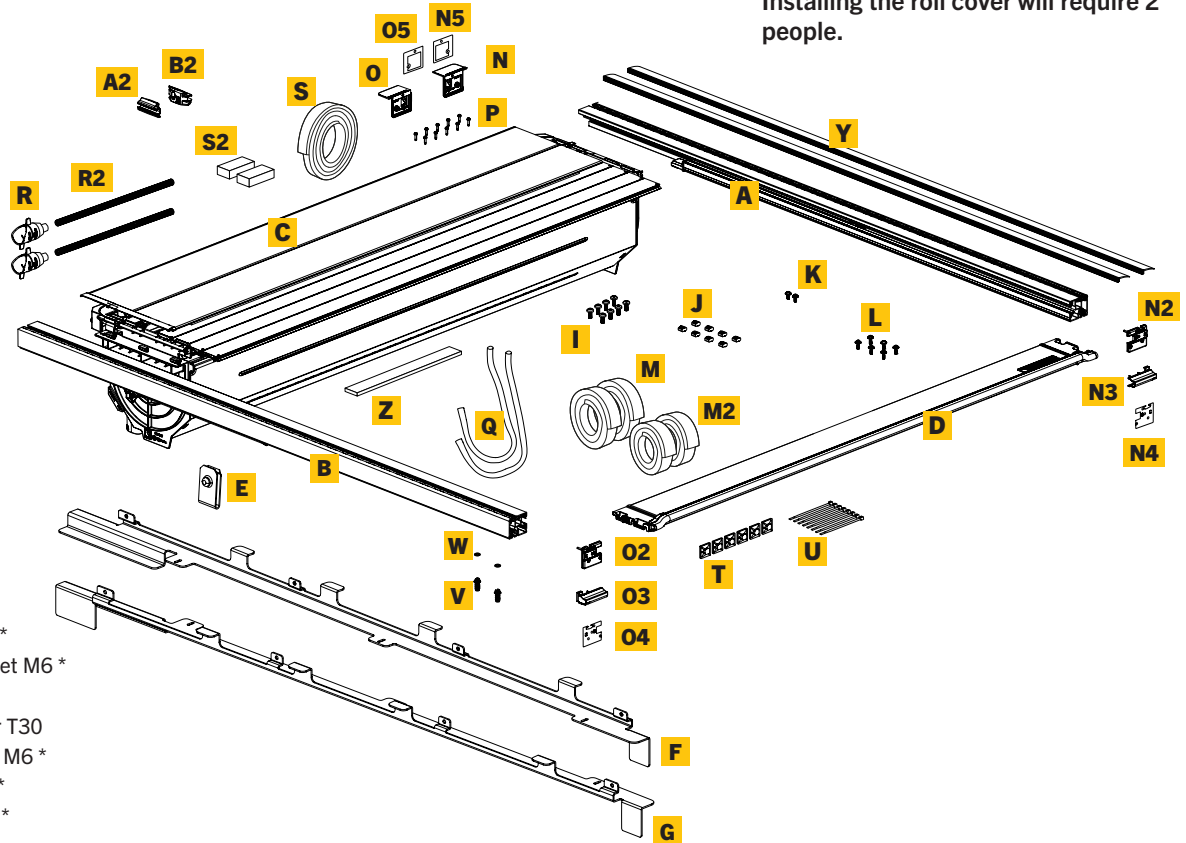
### TOOLS PROVIDED

- Drill Guide

**NOTE:** It is important that all areas where the bed cover mounts are clean and free of debris prior to installing. Installing the roll cover will require 2 people.

### PARTS INCLUDED

- A** 1x Passenger side rail
- A2** 1x Left drive carriage
- B** 1x Driver side rail
- B2** 1x Right drive carriage
- C** 1x Roll cover
- D** 1x Tailgate rail
- E** 1x Side trim drilling guide
- F** 1x Right Front bracket \*
- G** 1x Left Front bracket \*
- H** 8x Locking nut for bracket M6 \*
- I** 8x Taptite Bolt for Chevy bracket M6 \*
- J** 8x T-stones for bracket
- K** 2x Bolts for side rail to canister T30
- L** 6x Lower bolts for bracket T30 M6 \*
- M** 2x Side rail sealing foam Long \*
- M2** 2x Side rail sealing foam Short \*
- N** 1x Right front corner
- N2** 1x Right rear corner
- N3** 1x Right rear corner rubber
- N4** 1x Right rear corner foam
- N5** 1x Right front corner foam
- O** 1x Left front corner
- O2** 1x Left rear corner
- O3** 1x Left rear corner rubber
- O4** 1x Left rear corner foam
- O5** 1x Left front corner foam
- P** 10x Front/Rear corner screw T20
- Q** 2x Rear drain tube
- R** 2x Front drain connector
- R2** 2x Front drain tube
- S** 1x Canister foam seal
- S2** 2x Side rail front foam seal
- T** 6x Cable tie mount
- U** 8x Cable tie
- V** 2x Rear drain connector
- W** 2x O-ring
- Y** 2x Side rail rubber cover
- Z** 2x Canister plastic bracket foam seal

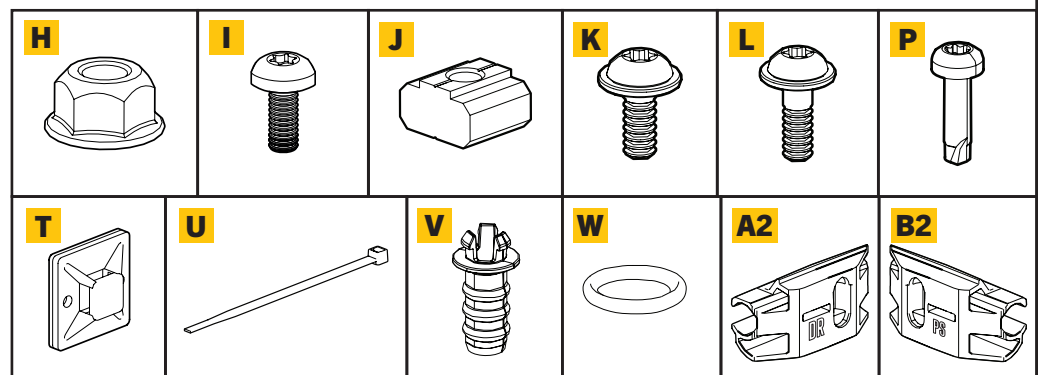


### Vehicle fitment chart

Chevy/GMC Silverado/Sierra 1500 5.8' 2019-YTD
Chevy/GMC Silverado/Sierra 1500 6.7' 2020-YTD
Chevy/GMC Silverado/Sierra 2500/3500 6.8' 2019-YTD

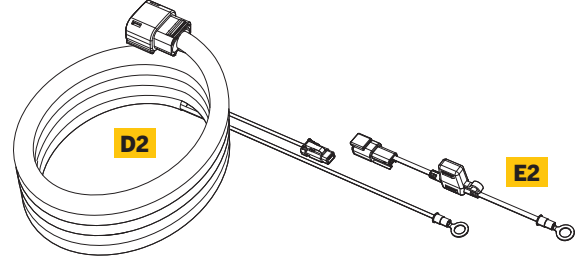
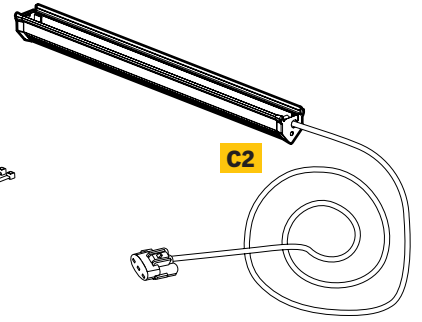
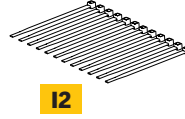
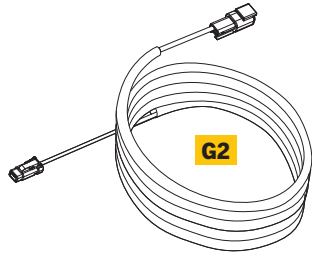
\* Parts (amount & type) may vary depending on vehicle model.

### Detailed view

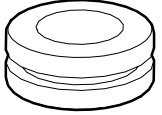


## ELECTRIC PARTS INCLUDED

- C2** 1x LED unit
- D2** 1x Main Power Harness
- E2** 1x Motor CCM Battery
- F2** 2x Rubber grommet for cables
- G2** 1x Exterior Motor Cabin Harness
- H2** 1x Cabin Module
- I2** 12x Cable Tie

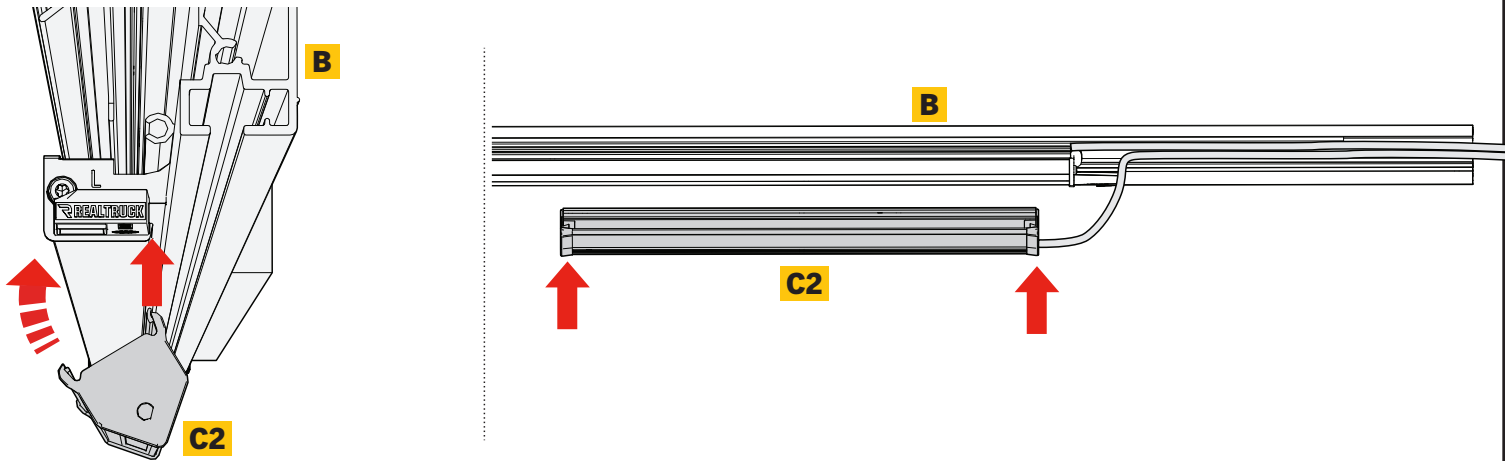


**F2**

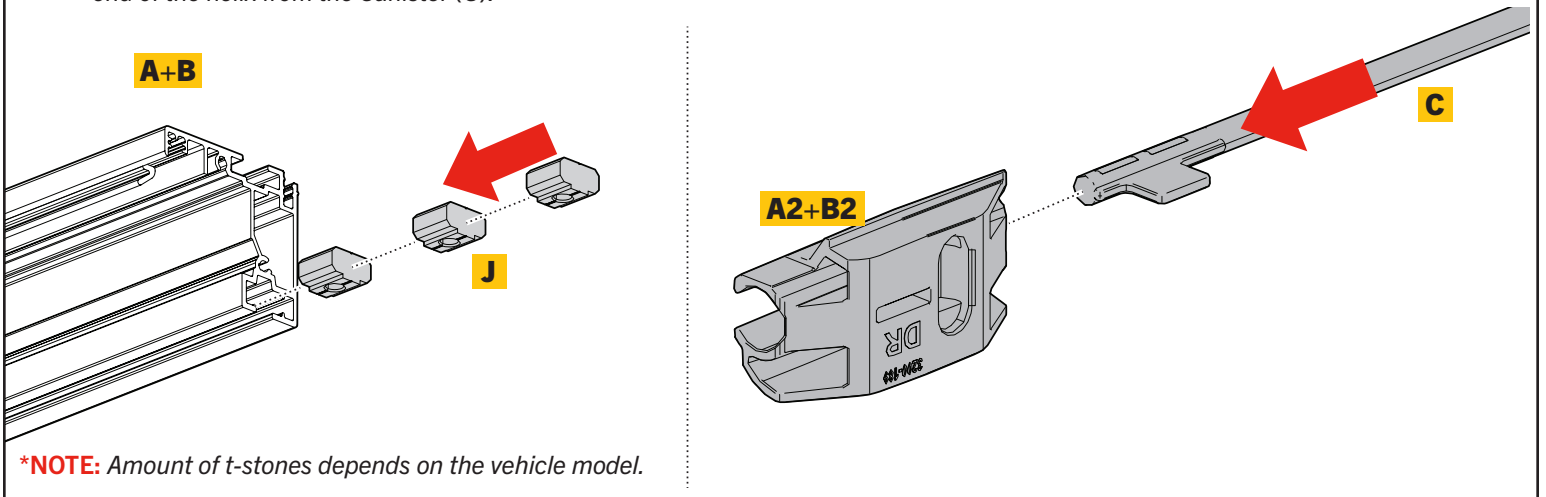


## PREPARING THE TONNEAU COVER

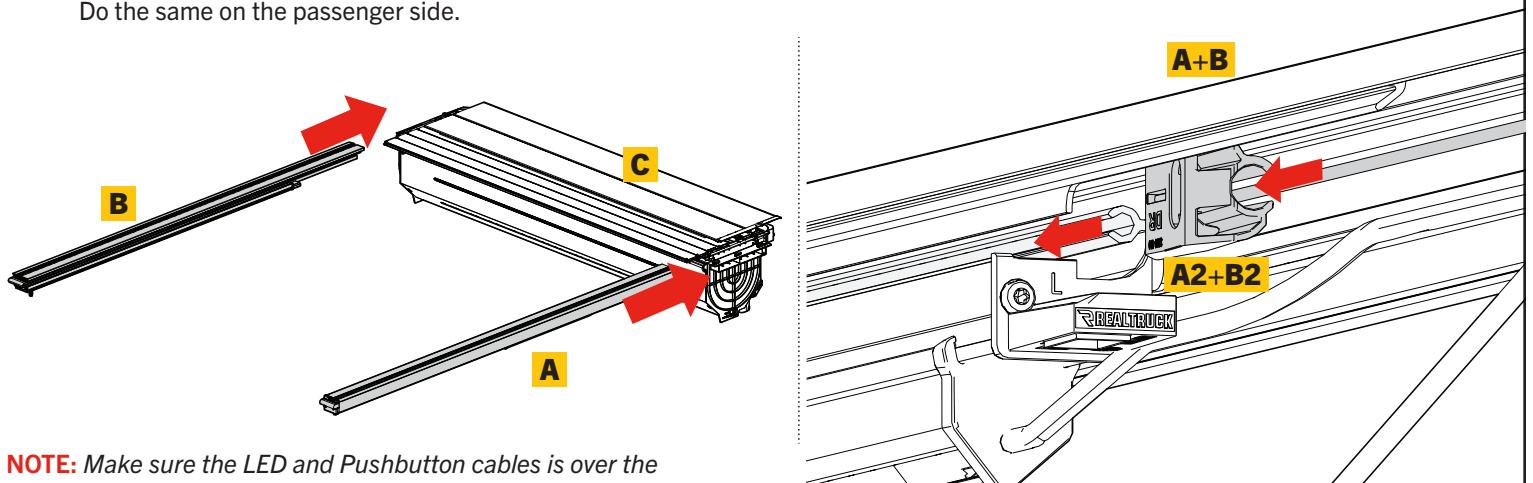
- 1** Mount the LED unit to the left side rail. Make sure the cable for the LED unit and the Push Button is running up along the side rail towards the front (over where the canister will be)



- 2** Slide the T-Stones\* (J) into each front of the side rails (there should be an equal amount in each side and 2 t-stone should be saved for step 2), slide the T-Stones to about the middle of the rails (these will be used for the brackets). Mount the drive carriage (A2) to the end of the helix from the Canister (C).

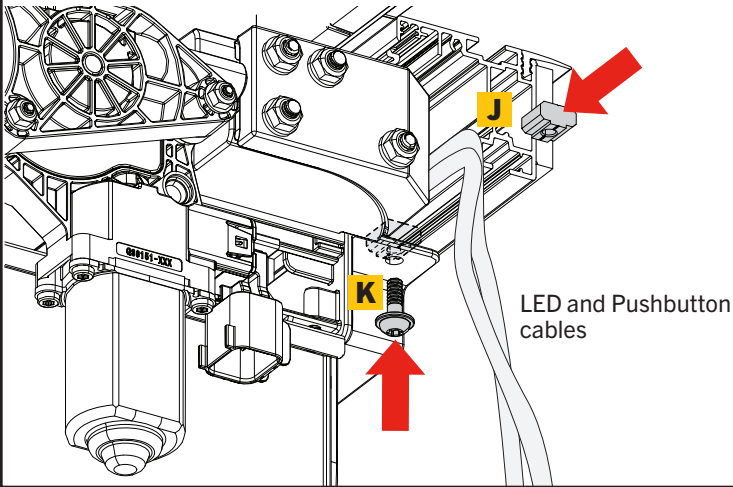


- 3** Slide the side rails into the canister top until they stop. It is recommended to assemble the roll cover on a table and some boxes or foam to support the side rails. Slide the drive carriage into the rail slide channel. Do the same on the passenger side.

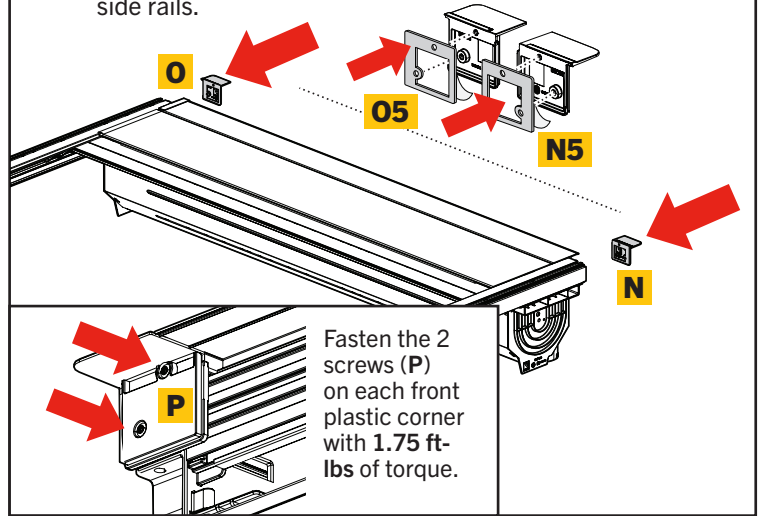


**NOTE:** Make sure the LED and Pushbutton cables is over the canister plastic top so they won't be pinched.

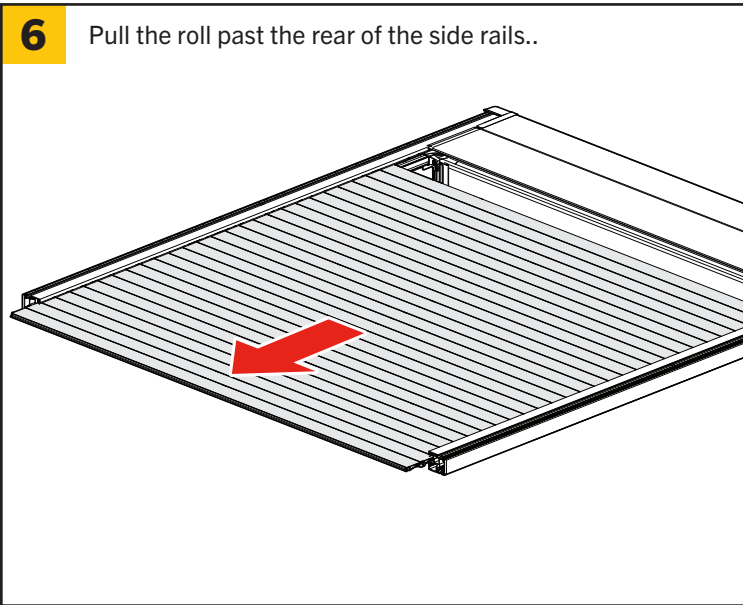
- 4** Place a t-stone (J) in the left and right side rails. Slide the t-stones in until they stop. Then mount the screw (H) with a torque of 3.5 ft-lbs.



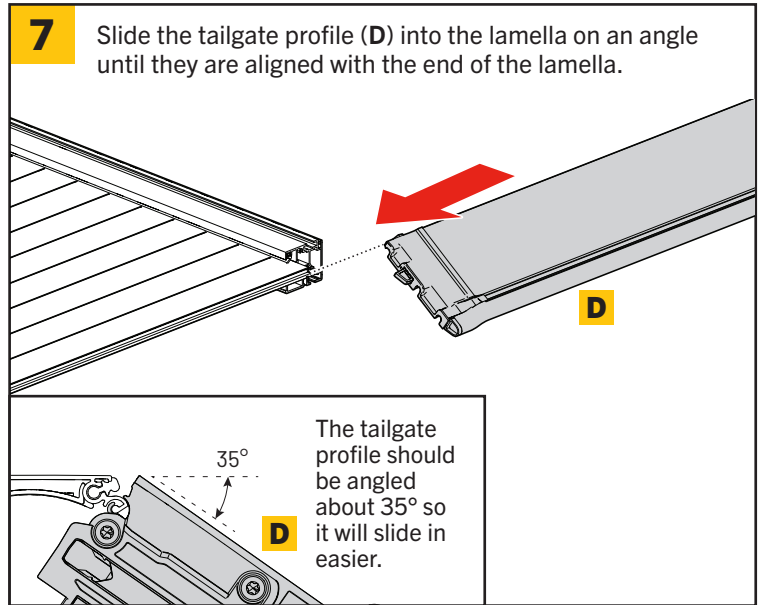
- 5** Apply the foam (O5 + N5), first take the glue liner off. Attach the left and right front plastic corner (N + O) to the side rails.



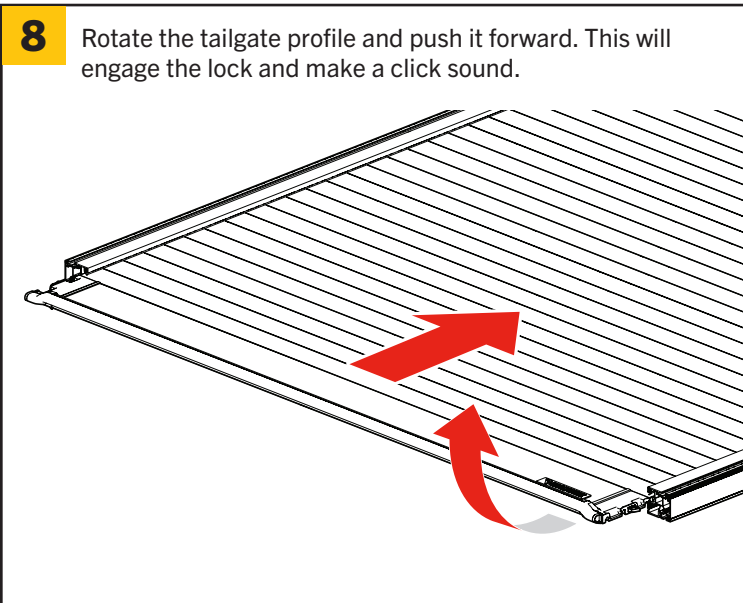
- 6** Pull the roll past the rear of the side rails..



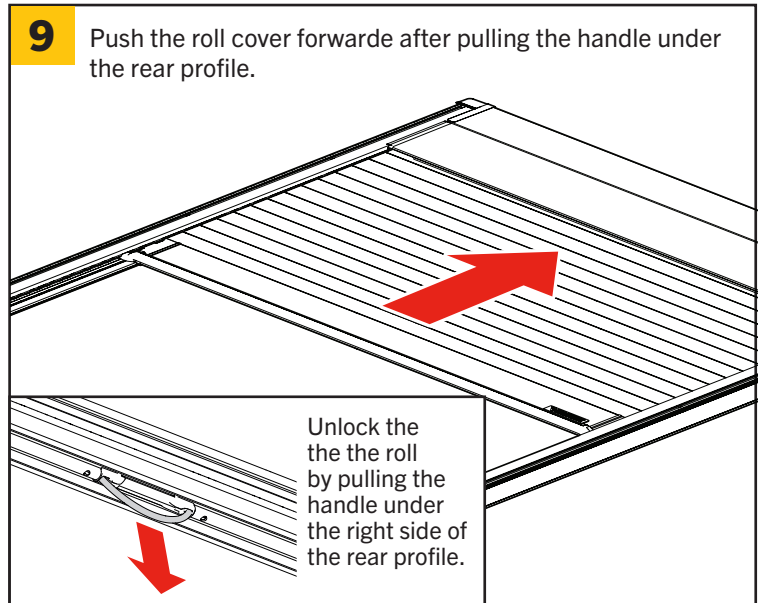
- 7** Slide the tailgate profile (D) into the lamella on an angle until they are aligned with the end of the lamella.



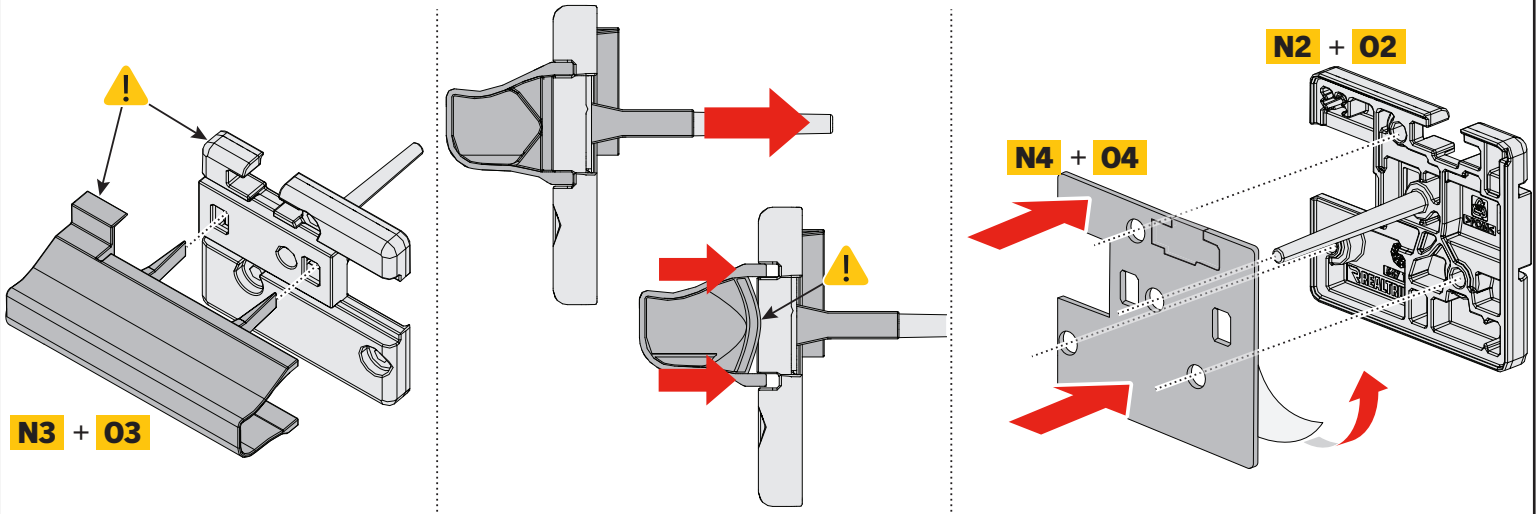
- 8** Rotate the tailgate profile and push it forward. This will engage the lock and make a click sound.



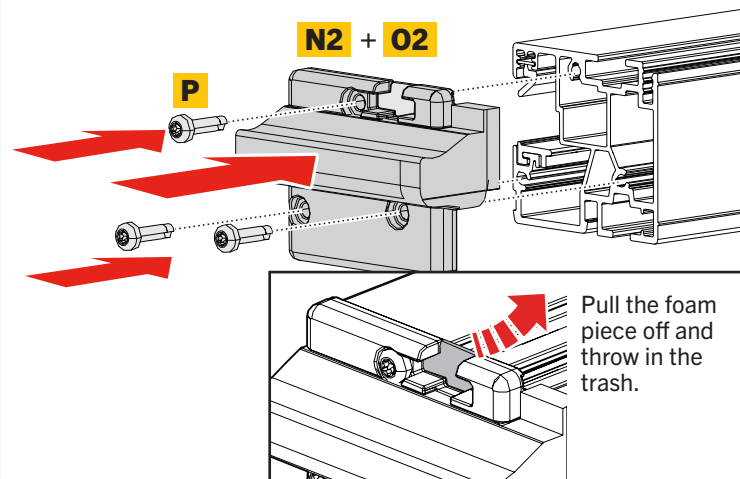
- 9** Push the roll cover forward after pulling the handle under the rear profile.



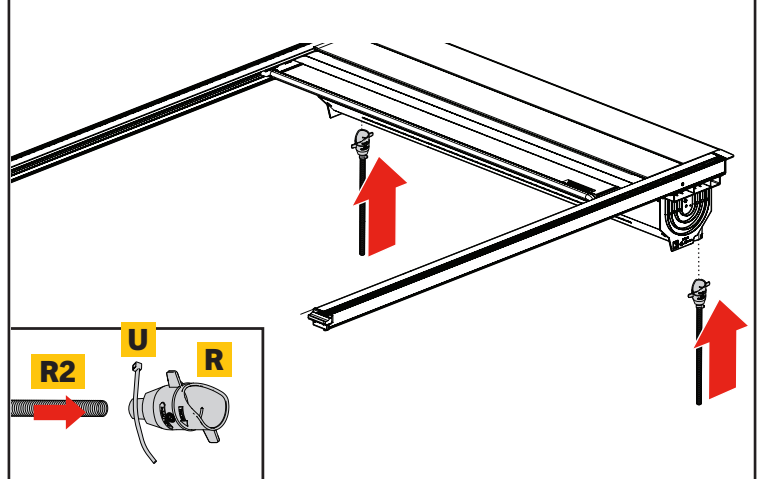
**10** Attach the right and left rear plastic rubbers (N3 + O3) to the plastic corners by pulling the tabs until it clicks in, make sure that the rubber is not bent. Pull the glue liner off from the right and left rear foams (N4 + O4) and attach to the rear plastic corners (N2 + O2)



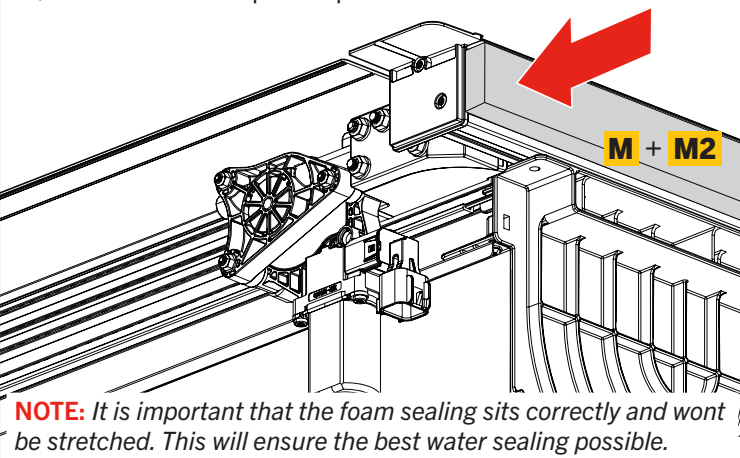
**11** Attach the right and left rear plastic corner (N2 + O2) to the side rails. Fasten the 3 screws (P) on each rear plastic corner with 1.75 ft-lbs of torque. Pull the foam piece off by the t-stone slot.



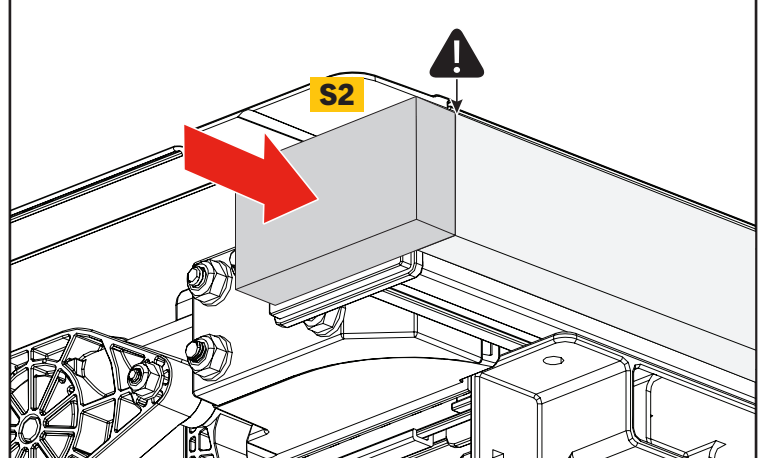
**12** Assemble the corrugated drain tube to the drain adaptor (R2 + R), use a cable tie (U) to tighten them together. Mount the left and right front drain to the canister ends.



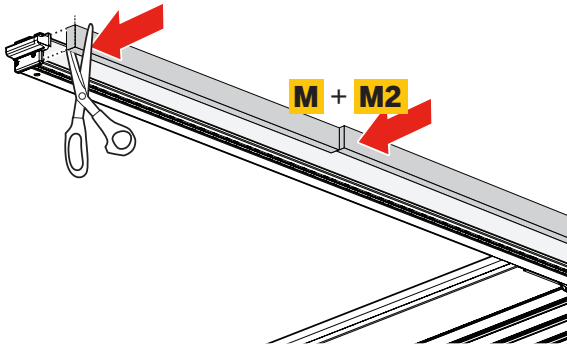
**13** Place the foam (Long+Short) (M or M2) so it sits flush with the plastic part of the front of the side rail. The top edge of the foam is to be positioned below the line on the profile, that is 1/8" down from the top of the profile.



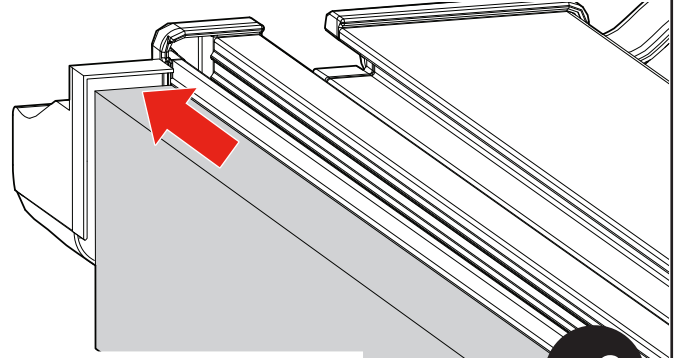
**14** The foam (S2) should be flush with the outer edge of the side rail sealing foam (M or M2).



**15** Apply the rest of the foam (Long or Short) (**M** or **M2**) to the left and right side rails. Align it to the top most line. Push the two foams together so there wont be a gap. Depending on you vehicle model different amounts of the foams are included (e.g. 2x **M**). You might need to cut the foam to length at the end.



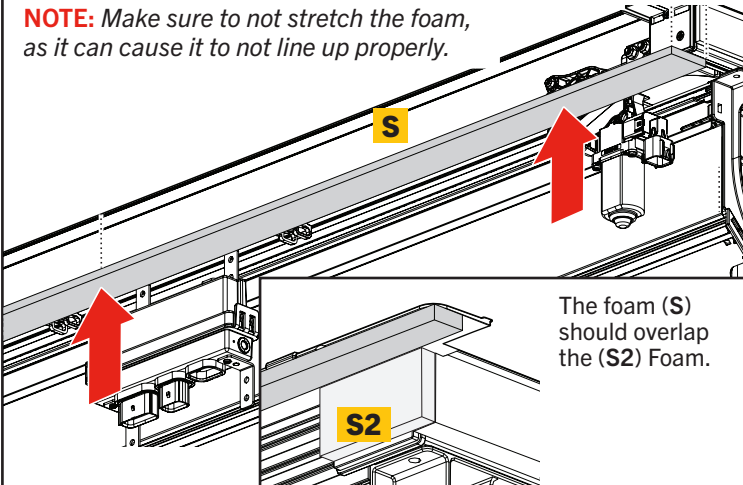
**NOTE:** It is important that the foam sealing sits correctly and wont be stretched. This will ensure the best water sealing possible.



**NOTE:** Make sure the foam sits close to the rear rubber seal. Should be 1/8" lower than the top of the edge.

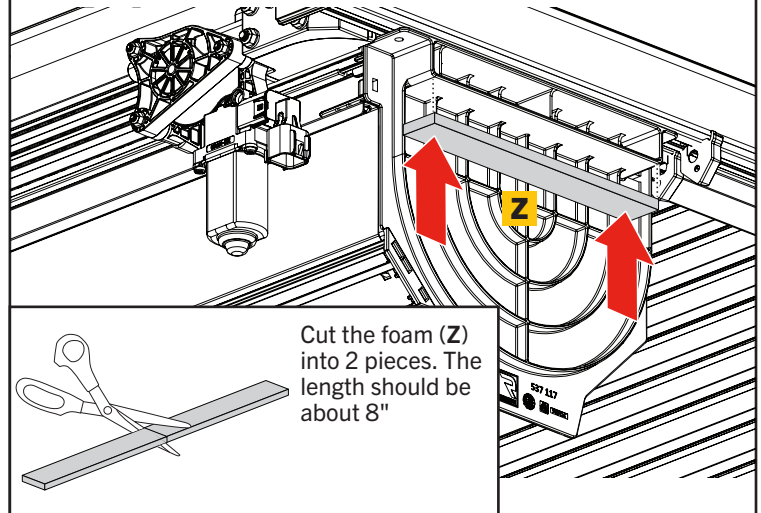
**16** Apply the foam (**S**) to the canister and side rail end cap and canister lid. Foam (**S2**) should be behind foam (**S**).

**NOTE:** Make sure to not stretch the foam, as it can cause it to not line up properly.



The foam (**S**) should overlap the (**S2**) Foam.

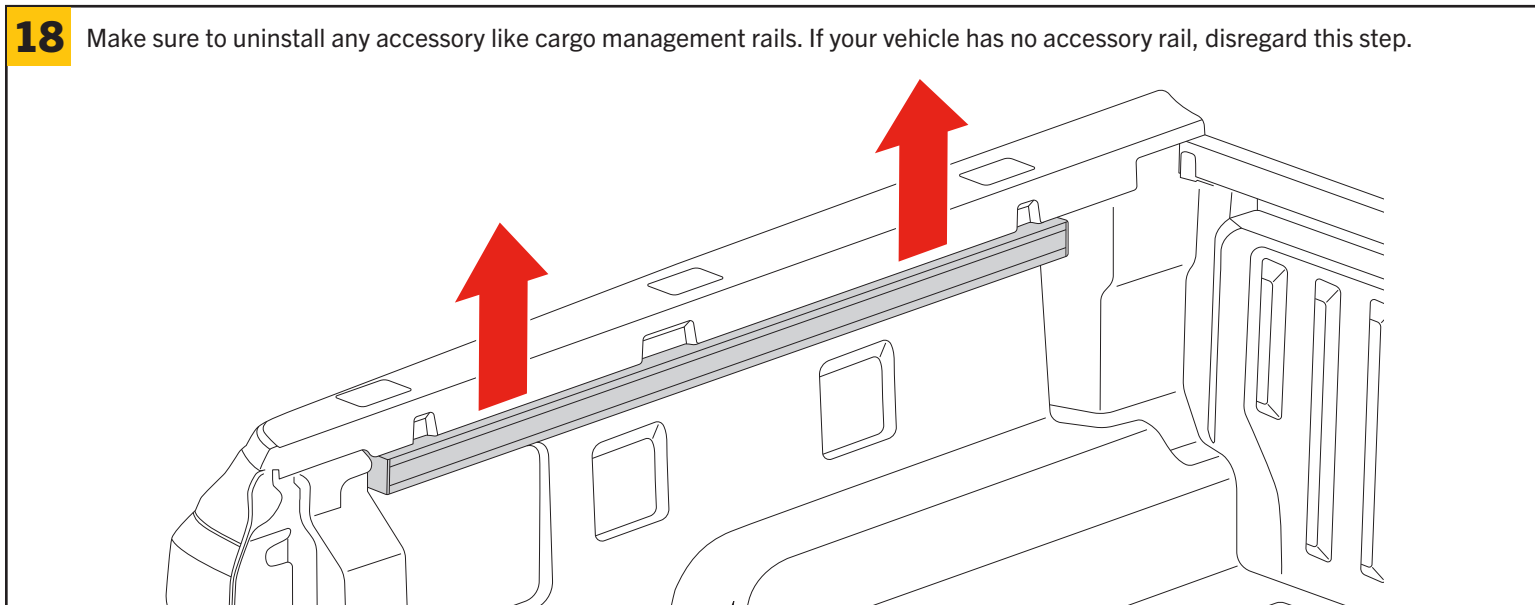
**17** Apply the foam (**Z**) to the canister end cap bottom.



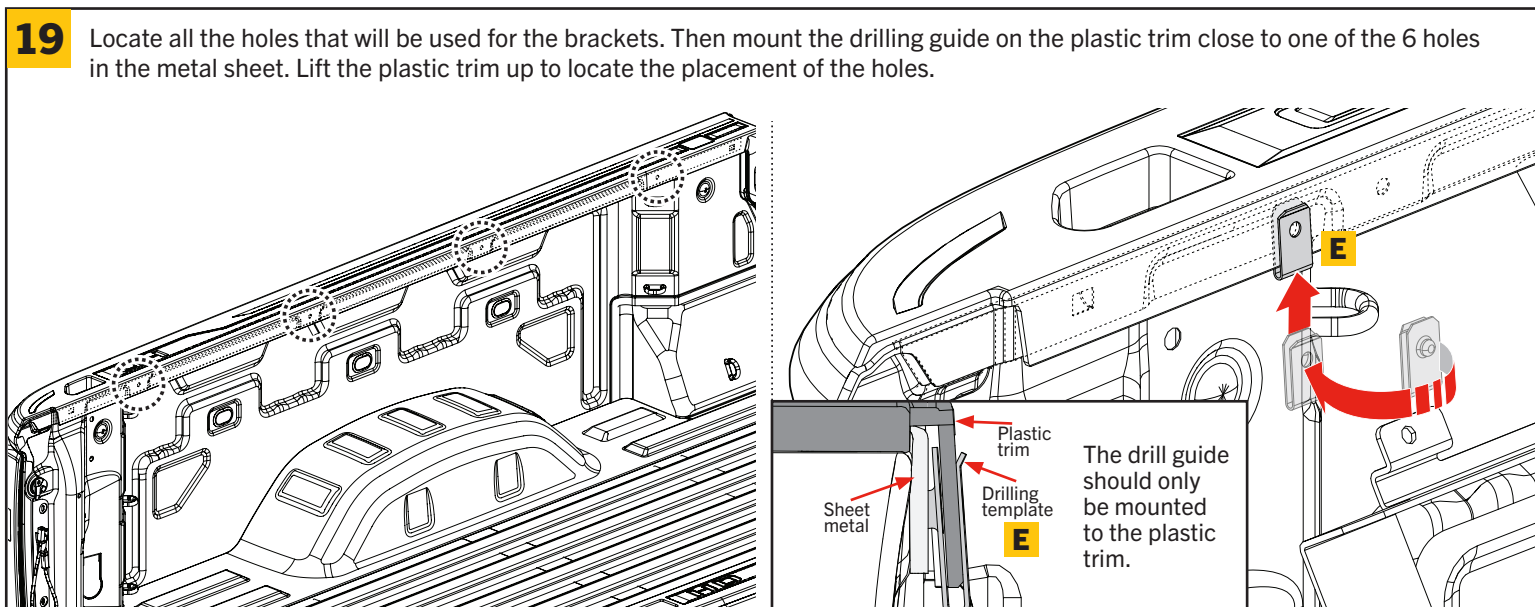
Cut the foam (**Z**) into 2 pieces. The length should be about 8"

## PREPARING THE VEHICLE BED

- 18** Make sure to uninstall any accessory like cargo management rails. If your vehicle has no accessory rail, disregard this step.

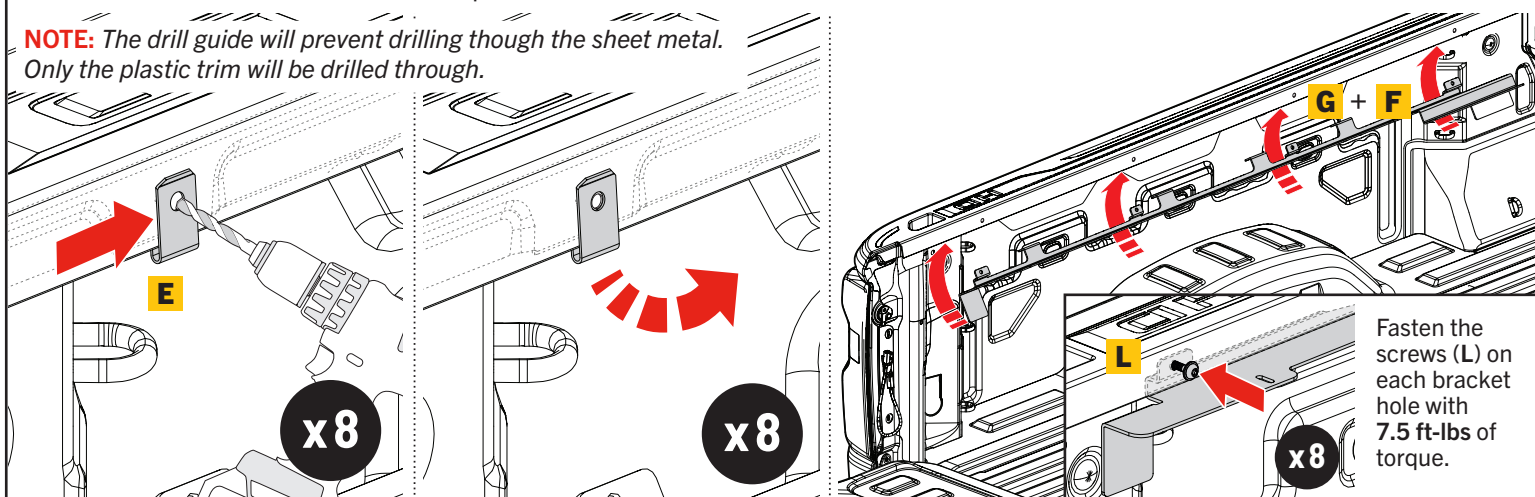


- 19** Locate all the holes that will be used for the brackets. Then mount the drilling guide on the plastic trim close to one of the 6 holes in the metal sheet. Lift the plastic trim up to locate the placement of the holes.



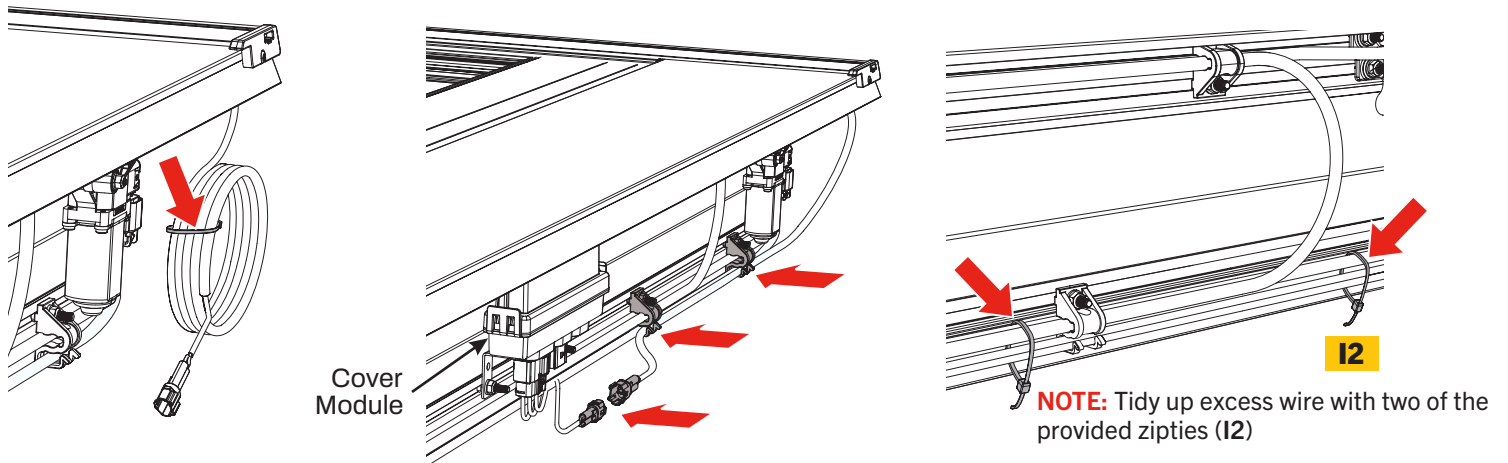
- 20** Move the drilling guide until it clicks into one of the bracket holes (lift the plastic and check if you are unsure), then drill a 1/2" hole, do this on all 4 holes for each side. Mount the left and right brackets (G, F) to the vehicle bed, it should sit behind the sheet metal. Mount bolt (L) and use a torque wrench.

**NOTE:** The drill guide will prevent drilling through the sheet metal. Only the plastic trim will be drilled through.



## INSTALLING ELECTRICAL WIRES

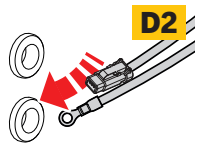
- 21** The driver side LED Wiring Harness (C2) and Push Button wire comes attached to the rail (B), with extra harness tied at the front of the rail as shown. Route the LED and Push Button wire harness towards the cover module and plug them into the cover modules connectors.



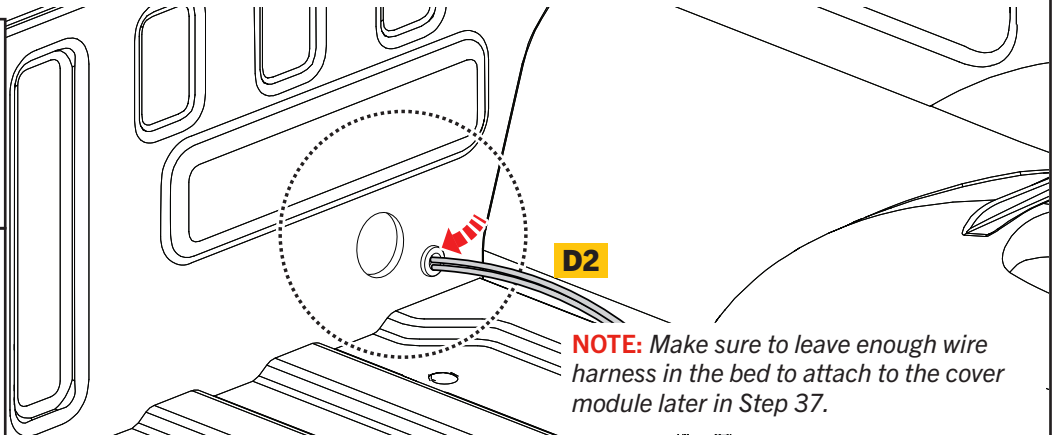
- 22** Before routing the main wiring harness (E) from the bed to the battery, first locate your battery in the engine compartment. Determine which side of the vehicle the battery is on - passenger or driver side - and then route the main wiring harness on the same side as your battery by drilling two 3/4" and installing the (F2) grommets (Second hole is for a different wire). Feed the battery terminal connection end of the main wiring harness (E) into the available pickup bed hole. Bring the wire down between the bed and the cab.



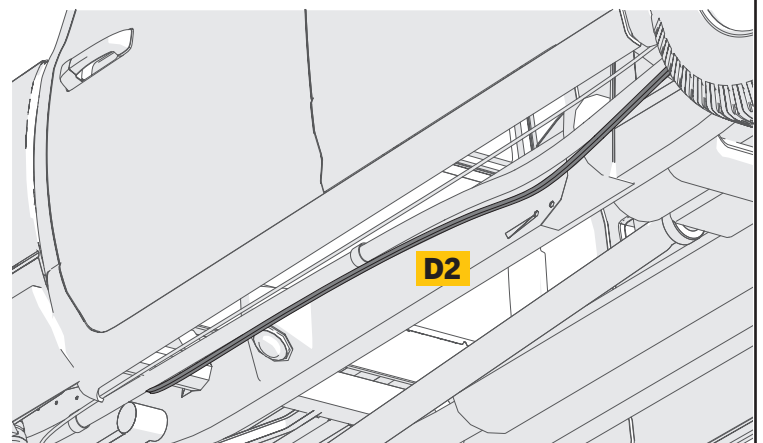
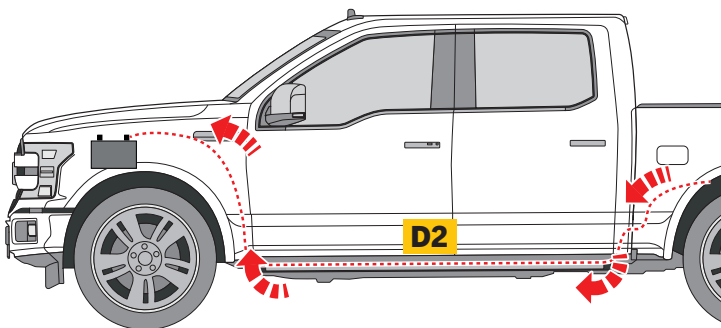
Cut the holes with a 3/4" hole saw, and then install the rubber grommets (F2).



Pull the main power harness (D2) through the left or right rubber grommet depending on which side the battery sits.

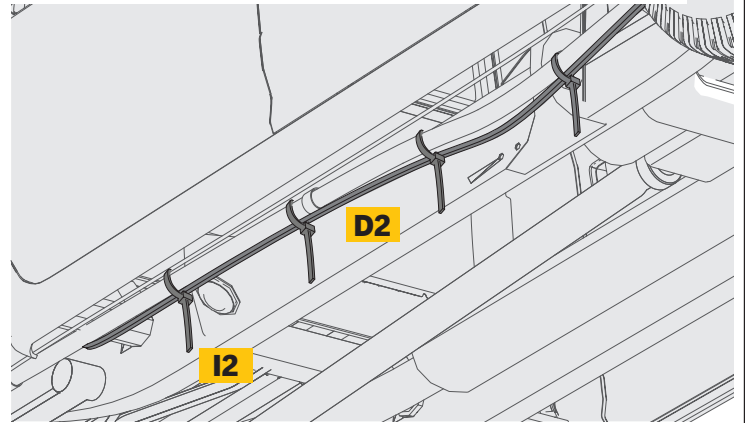
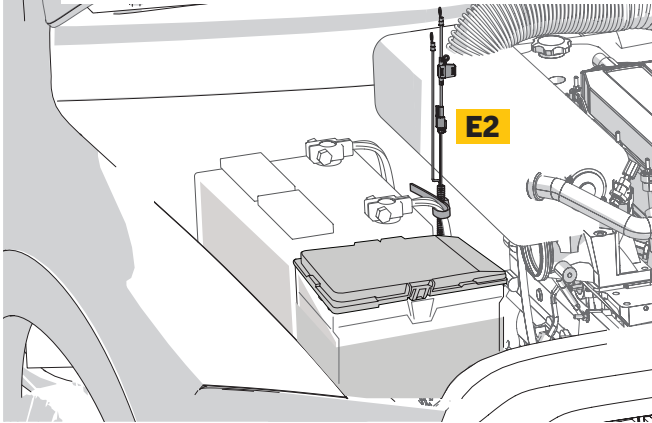


- 23** Route the Main Power Harness (D2) along the frame rails located on the underside. Maintain a wiring route that keeps the wire as high as possible to prevent damage when driving. **Keep the wires away from moving parts and exhaust.**



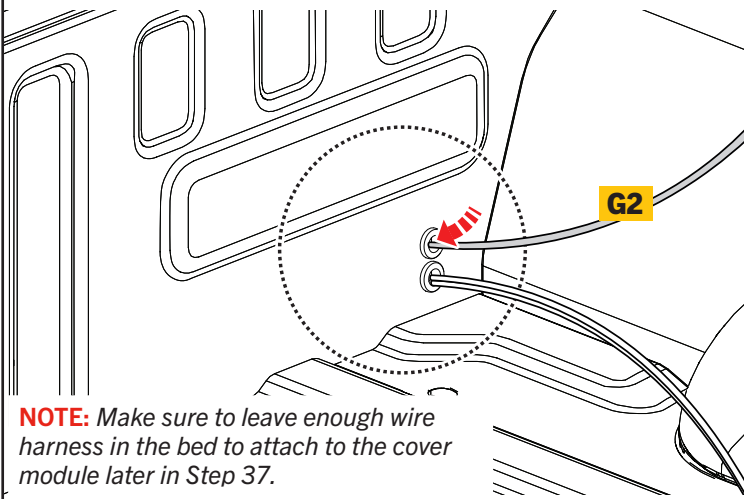
**24**

Finish routing the main wiring harness up to the vehicles battery, then secure the harness near the battery with a zip tie (I2). Connect the negative terminal on the harness to the ground on or near the battery. Next, connect the ring terminal on the positive jumper wire to the positive terminal on the battery then connect the jumper wire to the main power harness with the inline connector. Lastly, working from the battery back to the cover, neatly organize and secure the main wiring harness with the provided zip ties.



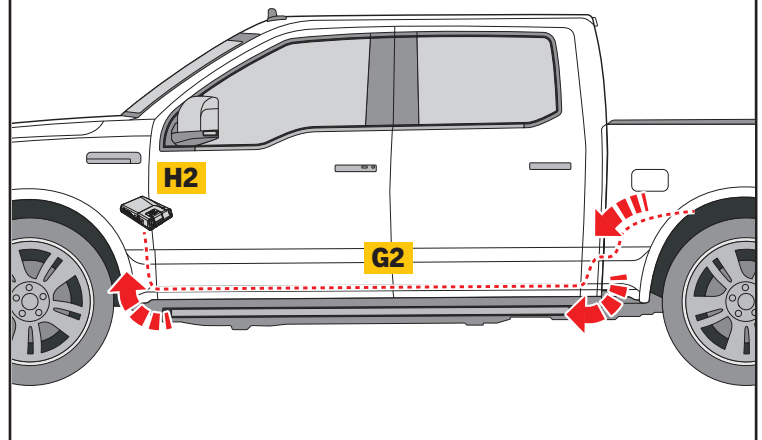
**25**

Pull the Exterior Motor Cabin Harness (G2) through the tub and into the vehicle cabin. A hole should be cut in the cabin to be able to route it through.



**26**

The Exterior Motor Cabin Harness (G2) Should be installed along the floor of the cabin under the footpanels, and routed up to the underside of the driverside dashboard.



**27**

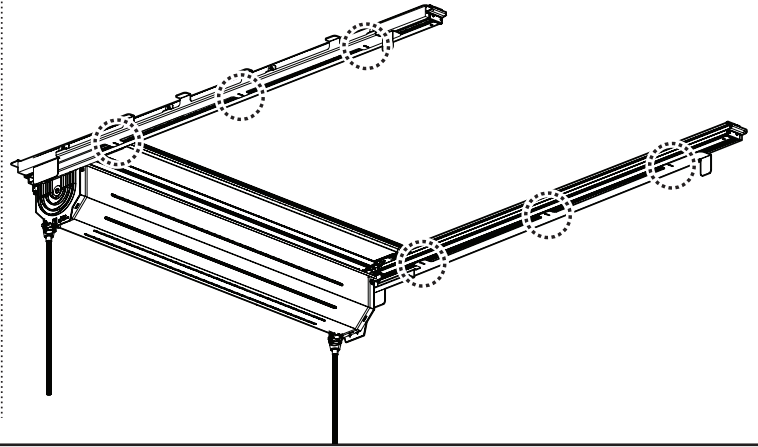
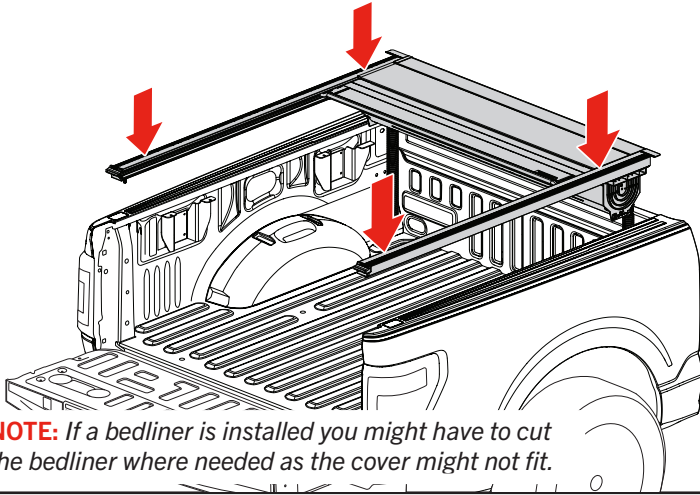
Scan the QR code below for a how-to of the cabin module splicing installation, select your vehicle to get the correct installation.



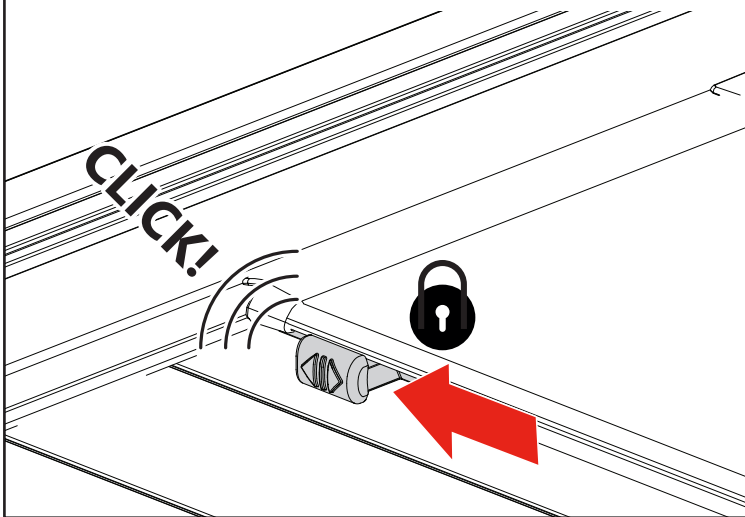
Search for ERC-4000 after you select your vehicle.

## MOUNTING THE TONNEAU COVER

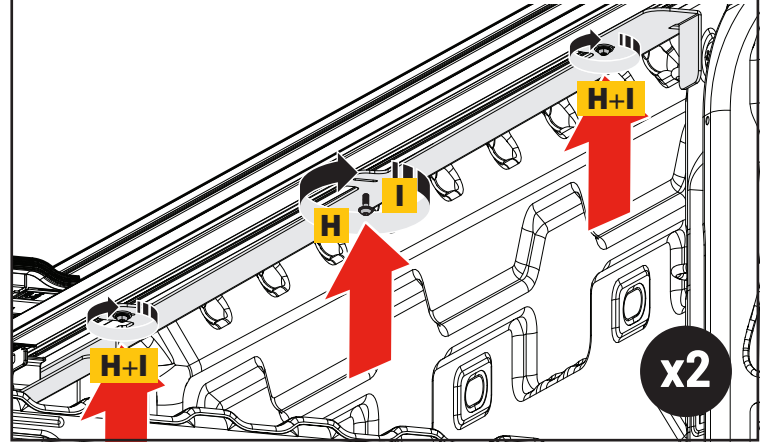
- 28** Hold the cover about ½" above the brackets. Push the roll cover forward until it stops against the bulkhead, this should make it straight. Now place it on the brackets. Make sure the T-Stones are right above the bracket holes, location depends on the type of bracket your product has. If not, place the t-stones so they are right above the holes on the bracket.



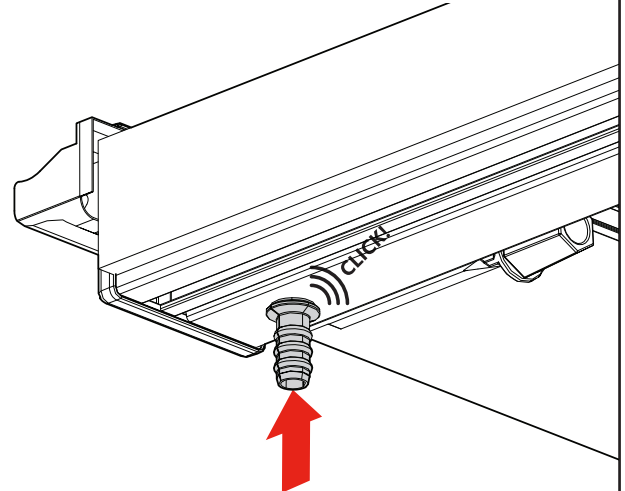
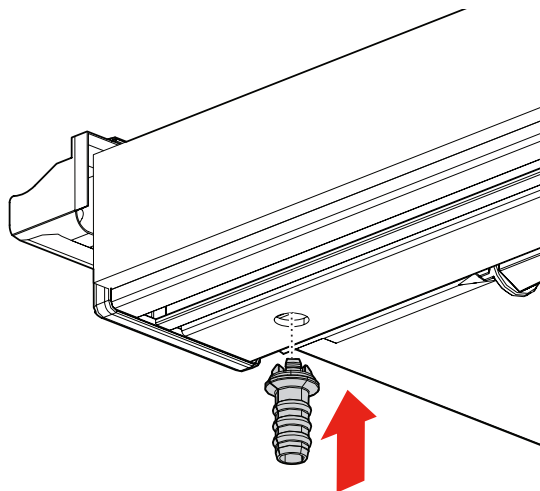
- 29** Lock the lid by pushing it out towards each side rail.



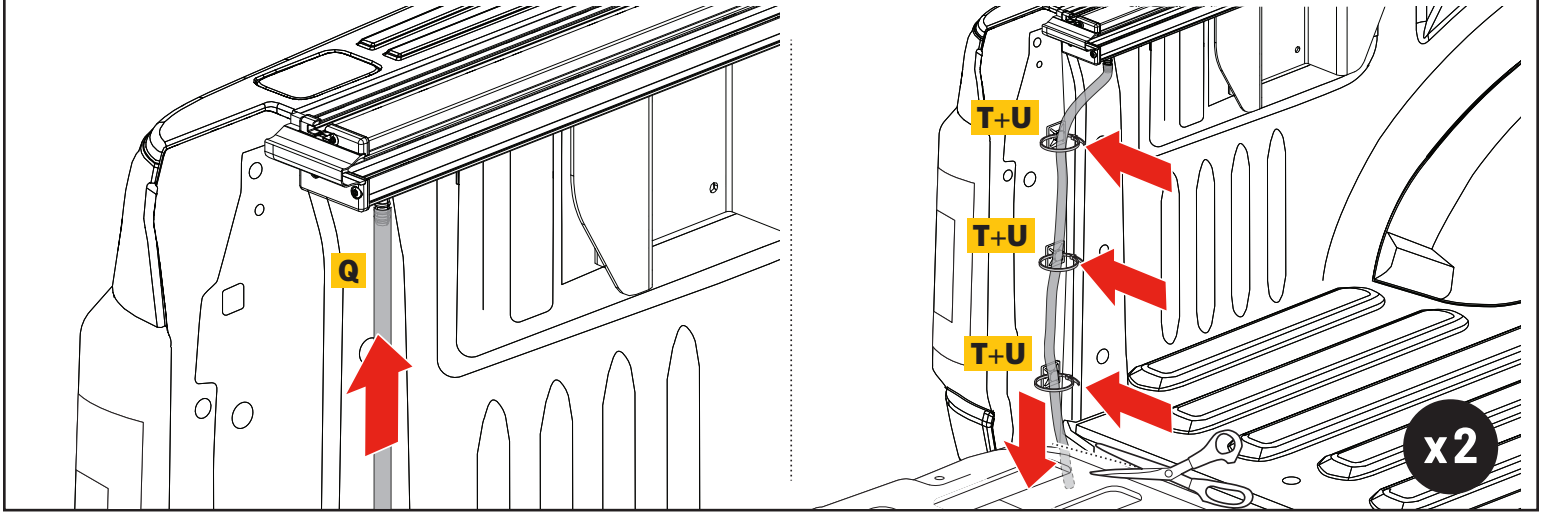
- 30** Position the t-stone above each hole. Push the roll cover forward and lightly fasten the washer and bolt (H+I) to the bracket and side rails. Do the same on both sides. Pull the roll cover back so there is a 3/8" gap between tailgate and rear corner, rubber seal should still touch.



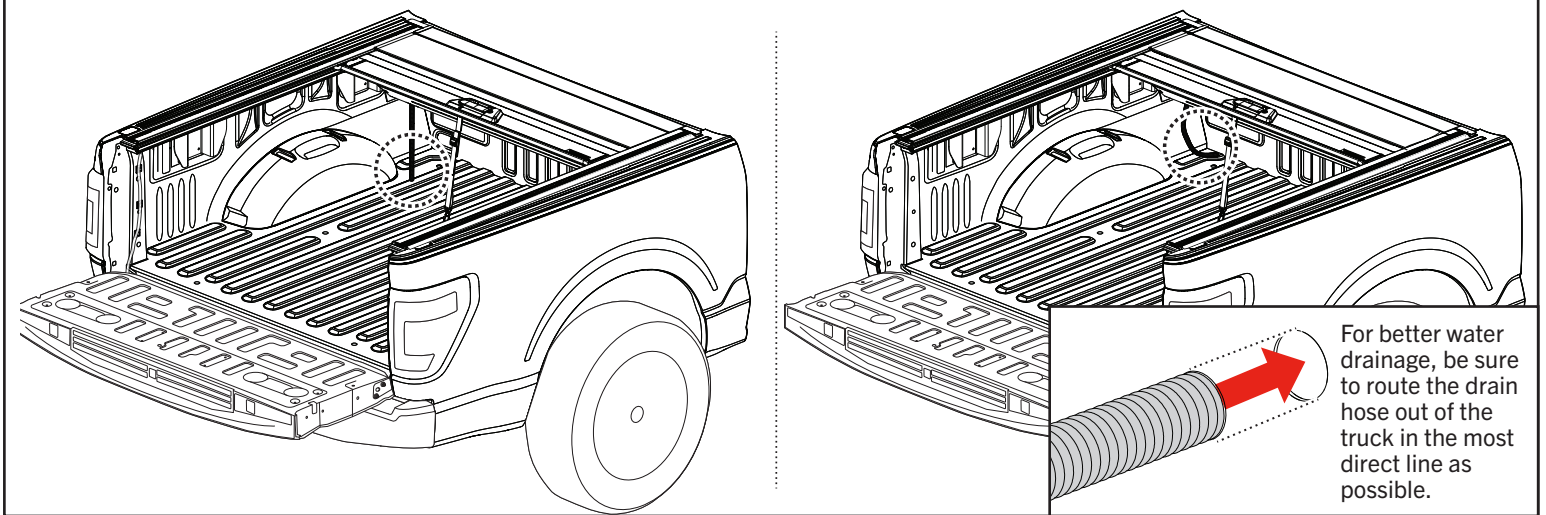
- 31** Mount the O-ring to the rear drain connector. Then click it into place under the rear end side rail. Repeat for the opposite side.



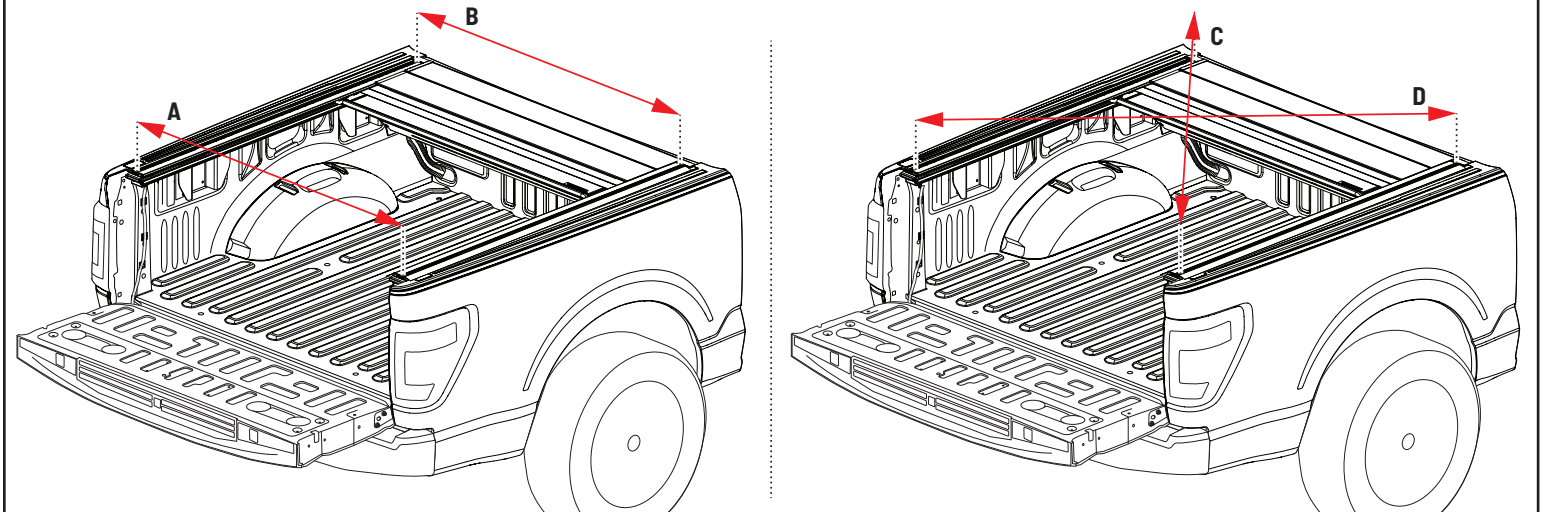
**32** Attach the rear drain to the plastic connector. Press the cable tie mount in place as shown and fasten the drain with cable ties. Make sure the drain tube is routed so it won't be pinched by the tailgate when closing. Test it by opening and closing the tailgate.



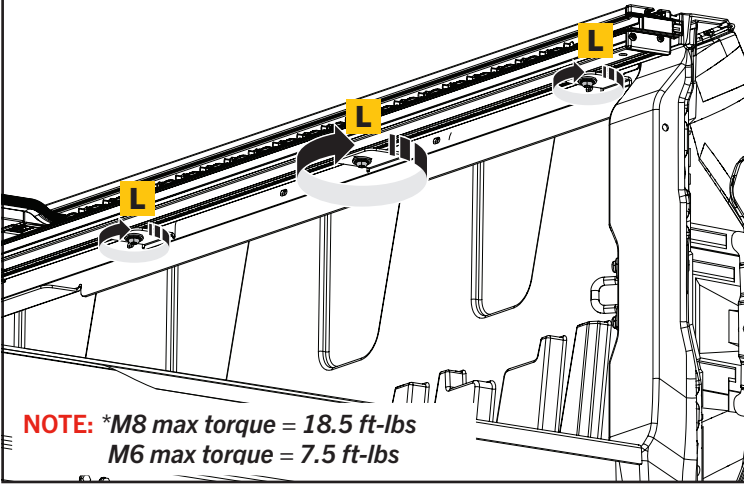
**33** This step might require you to drill a new 11/16" hole in the tub. Then mount the drain (R) and grommet to the truck bed.



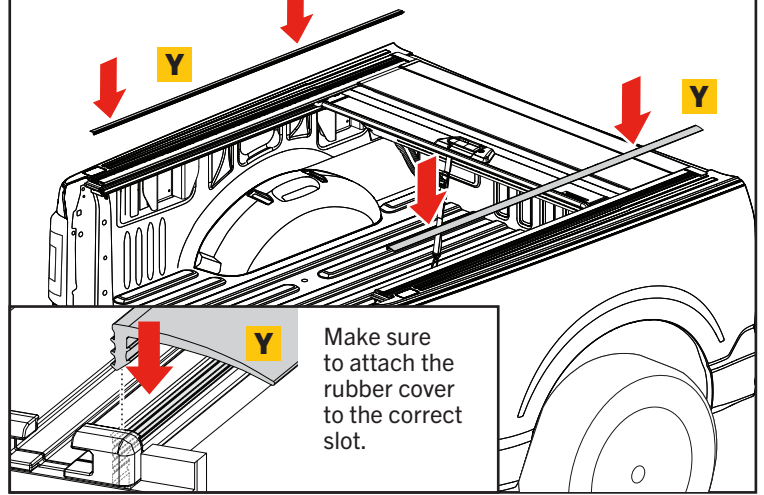
**34** Parallel measure the roll cover A should be the same as B. Cross measure the roll cover C should be the same as D. This will make sure that the roll cover sits properly, and ensures that it will roll back and forth with minimal friction.



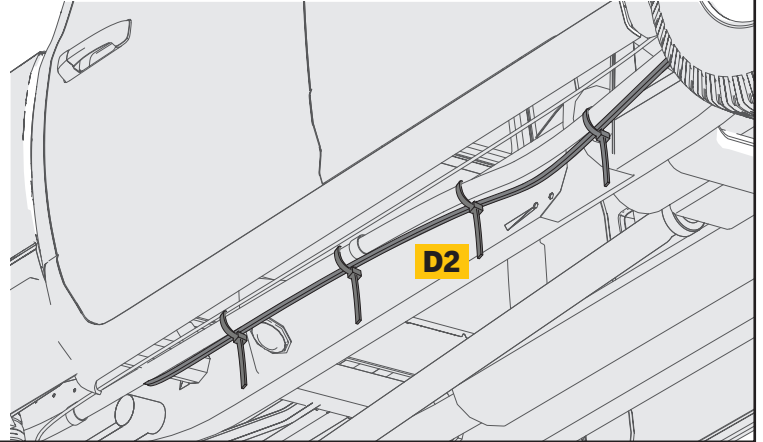
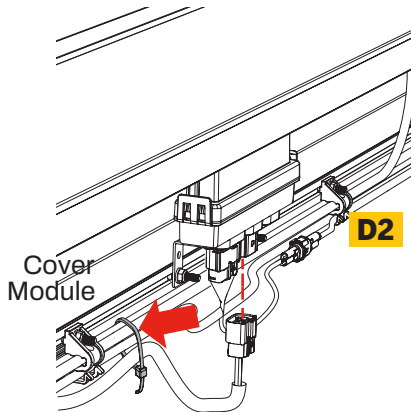
**35** Fasten the bolt (L) and use a torque wrench\*. Do the same on both brackets.



**36** If tape underneath remove glue liner. Attach the rubber covers (Y) to the side rails. Use a cylindrical tool that can help push it down.

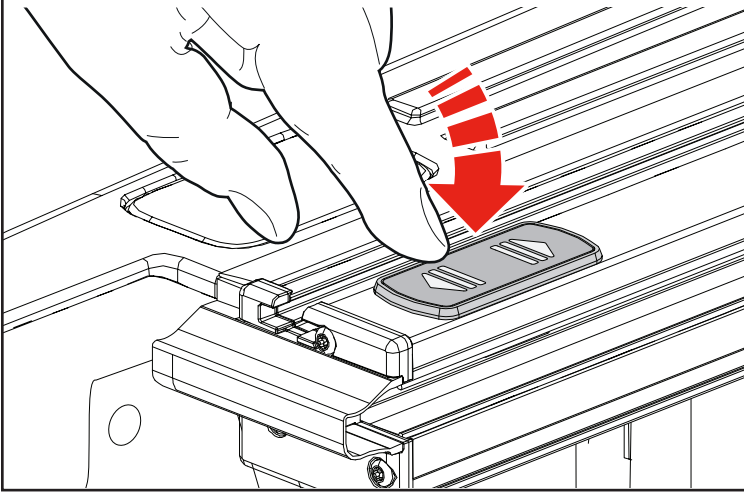


**37** Locate the Main Power Harness (D2) and the Exterior Motor Cabin Harness (G2) that was installed previously (Step 22+25) Attach the connector on the wiring harness to the connector on the cover module on the back of the cover. Secure the wiring harness to the cover with provided zip tie. Go back along the Main Power Harness and pull out all the extra slack in the harness. Neatly organize and secure the extra slack, using another zip tie. **Keep the wires away from moving parts and exhaust.**

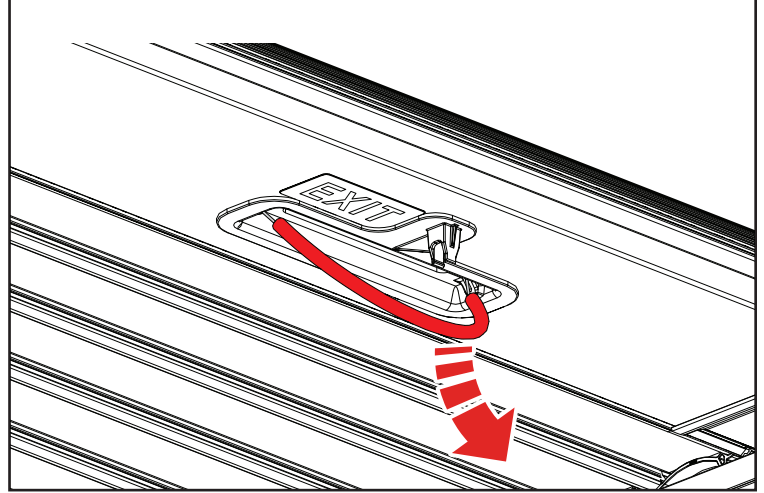


## COVER USE

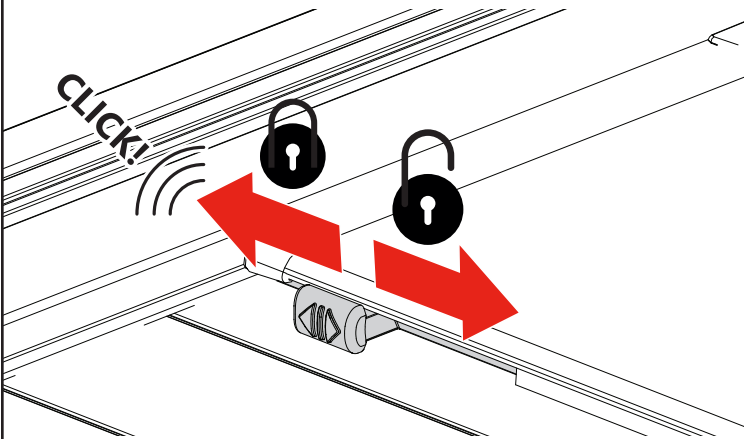
**Open/Close:** Open/Close your roll cover by pressing the pushbutton located on the rear left side of the roll cover on the side rail.



**Emergency release:** Pull the emergency handle which is located under the tailgate profile on the right hand side. This will disengage the tailgate profile to the drive carriage.



**Lock/Unlock Lid:** Lock the canister lid when driving and going in a carwash. Unlock the lid when you need to clean the canister.



**NOTICE:** The lid should be locked before going in a carwash.

### IMPORTANT NOTICE

Do not place ANY objects on top of the bed cover when attempting to close. Failure to follow the instruction may result in damage to your vehicle, belongings or bed cover. To avoid injury keep all body parts clear of the bed cover and carrier when opening.

## COVER CARE AND MAINTENANCE

The truck bed cover requires occasional cleaning with mild automotive soap and water only. Avoid using abrasive cleaners as they may dull the finish. Some chemicals and fluids such as insect repellents, oils, solvents, and lubricants could potentially damage the rubber hinges and seals and void the warranty.

### CAUTION

Always read the ingredients of any product you are using to clean your truck bed cover. Make sure that you use only products that are safe for use with rubber. Many cleaners contain chemicals that could permanently discolor or damage your hinges and seals.

Periodically check that your cover is securely attached to your truck bed and working as intended. Inspect all hardware such as clamps and cover retainer clamps to ensure they are properly installed and working as intended. Covers that are used at high frequency or subject to rough roadways and/or heavy vibration conditions may cause the cover to require adjustment.

It is also recommended that you regularly inspect and service each panel latch. Clean away any excess dirt or grime. Ensure all latches move freely in and properly engage the side rail to provide optimal performance and security.

### MAINTENANCE

It is recommended that you periodically check that the cover is securely attached to your truck bed. Inspect the brackets and mounting bolts to ensure they were properly installed and have not come loose or knocked out of adjustment during operation.

Covers that are used with high frequency or that are subject to the vibrations and impact from rough roadways can cause the cover to require adjustment.

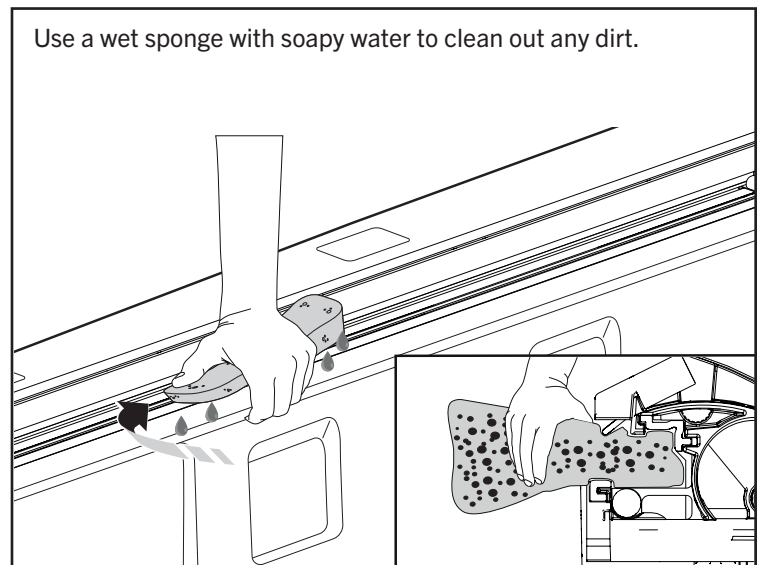
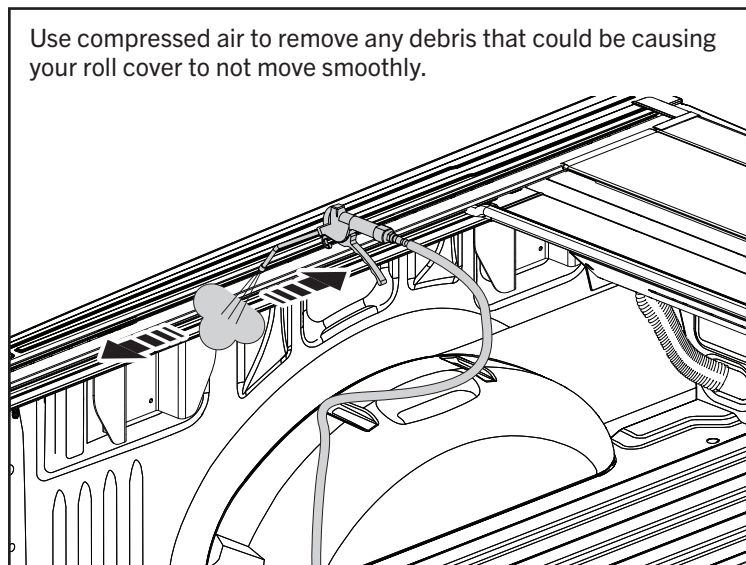
**IMPORTANT:** NEVER spray any lubricant into the tracks. THIS WILL VOID YOUR WARRANTY. Lubricants, especially silicone or petroleum-based, will attract dirt and debris which will lead to slow operation and will degrade the gaskets over time. If the tracks feel a little 'sticky', you may spray some latex protective spray inside the track and wipe with a clean rag to remove any dirt or debris that has built up.

### HOUSING DRAINS

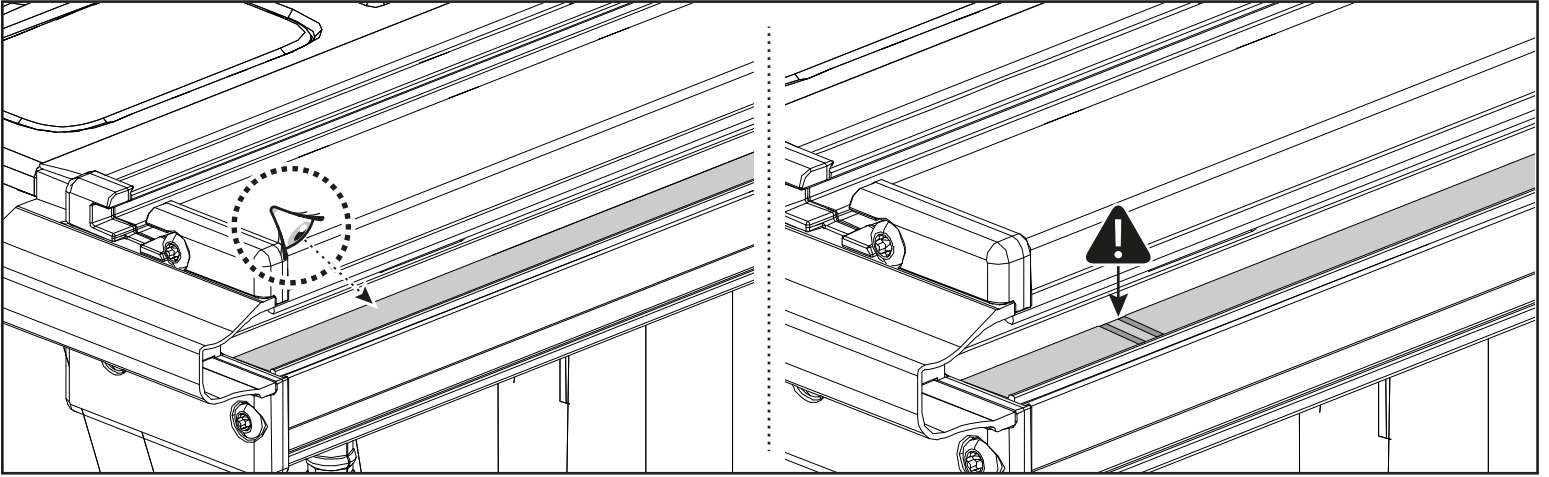
To ensure proper drainage, it is recommended that the canister housing be checked and cleared of any leaves, twigs or other debris that may obstruct the drain tubes.

## SAFETY INSTRUCTIONS

- Do NOT place objects on or against cover or framework.
- Do NOT tie cargo to truck bed cover or framework.
- Do NOT operate vehicle with objects on top of the cover.
- NEVER allow children or pets to occupy the truck bed with the cover in the fully closed position.
- The cover is not airtight. Special care is required to keep cargo clean and dry.
- Truck bed covers will not prevent theft of contents inside the truck bed.



## TROUBLESHOOTING TIPS



**Check Glide Rail:** If abnormal sounds occur during operation of the roll cover, inspect the glide rails for debris or damage. If the glide rails are damaged or worn, replacement glide rails are needed.

**Wavy Side Seal:** The seal may be wavy when removed from the box. Allow ample sunlight for seal to lay flat and relax.

# LIMITED WARRANTY

## WARRANTY COVERAGE

This truck bed cover is warranted against defects in materials or workmanship as follows. This warranty is void if the product has been damaged in an accident, or due to neglect, unforeseeable use, improper installation, improper servicing, or other cause not arising out of defects in material or workmanship.

**REALFLUSH** - The truck bed cover carries a limited warranty for **five (5) years** from the original date of purchase, subject to the terms below.

## WARRANTY IS NOT TRANSFERABLE

The warranty is to the initial owner purchasing the truck bed cover and it is not transferrable to a subsequent end user. Proof of purchase may be required to enforce these warranty rights.

## WARRANTY CONDITIONS

Failure to follow care and use instructions will void the warranty.

- Clean with mild automotive soap and water only.
- Cover must be secured at all points when vehicle is in motion.
- Check all clamps and retention mechanisms for tightness after a week of driving following installation (or re-installation) of the cover and periodically thereafter.
- Before opening, the cover must be free of all foreign materials including snow and ice.
- Do NOT tow your vehicle from the rear with the cover on your vehicle. If towing from the rear is required, the cover **MUST** be removed from the vehicle and properly stored.

## WARRANTY PERFORMANCE

If all warranty conditions are met, a defective truck bed cover or hardware component will either be repaired or replaced (at our option). We reserve the right, for any warranty, to substitute a newer model or bed cover having similar form and function, to offer a warranty discount on an entire replacement system, and/or provide remedies other than those mentioned in this document.

## WARRANTY RETURN

A Return Material Authorization number must be obtained from our Customer Service Department prior to returning any product. We may require the original item to be returned postage prepaid for final determination. Shipping charges will apply for any repair or replacement. Other than postage or shipping charges, no charge will be made for repair or replacement under this warranty.

This warranty gives you specific legal rights. As an owner, you may also have additional rights and remedies under the laws of your state.

## WARRANTY REGISTRATION

Warranty registration must be on file and/or proof of original purchase (detailed and dated receipt) required for warranty to be effective.

<https://realtruck.com/warranty-registration/>

**REGISTER  
YOUR  
WARRANTY  
ONLINE**

