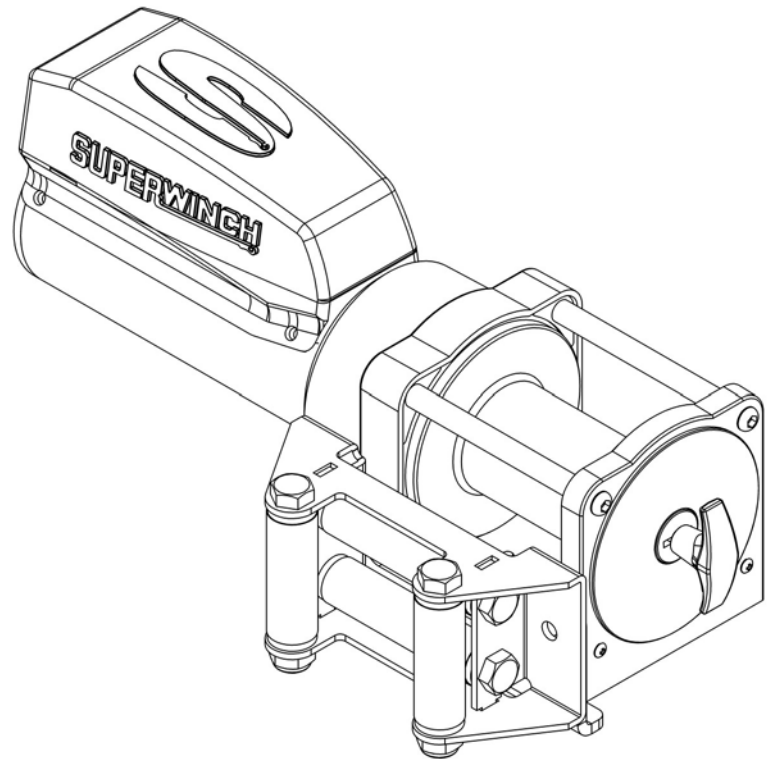




AC 1500 Winch



PART NUMBER:

1715001

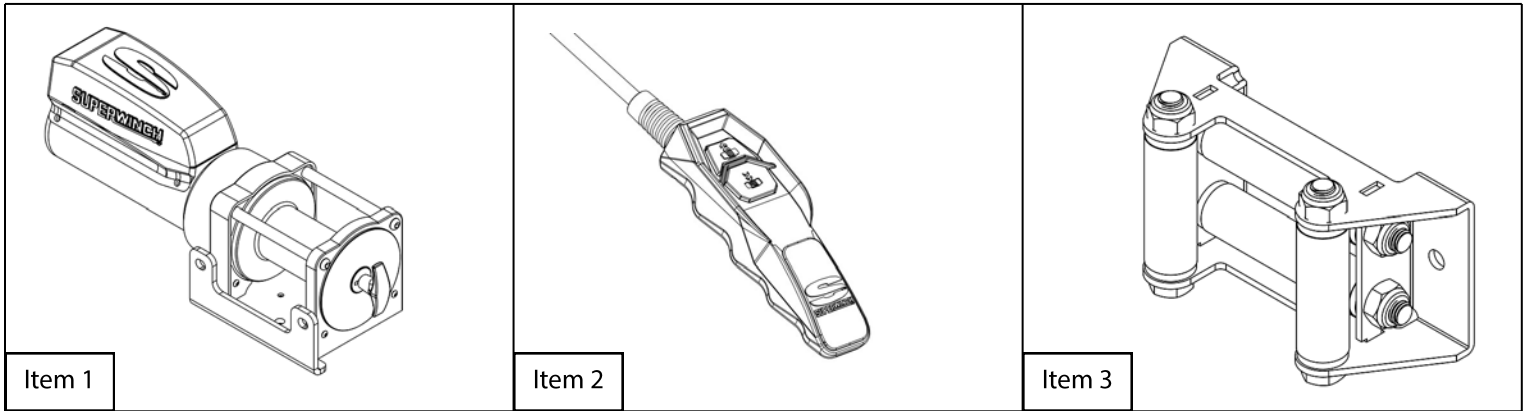


**SAVE THESE
INSTRUCTIONS**

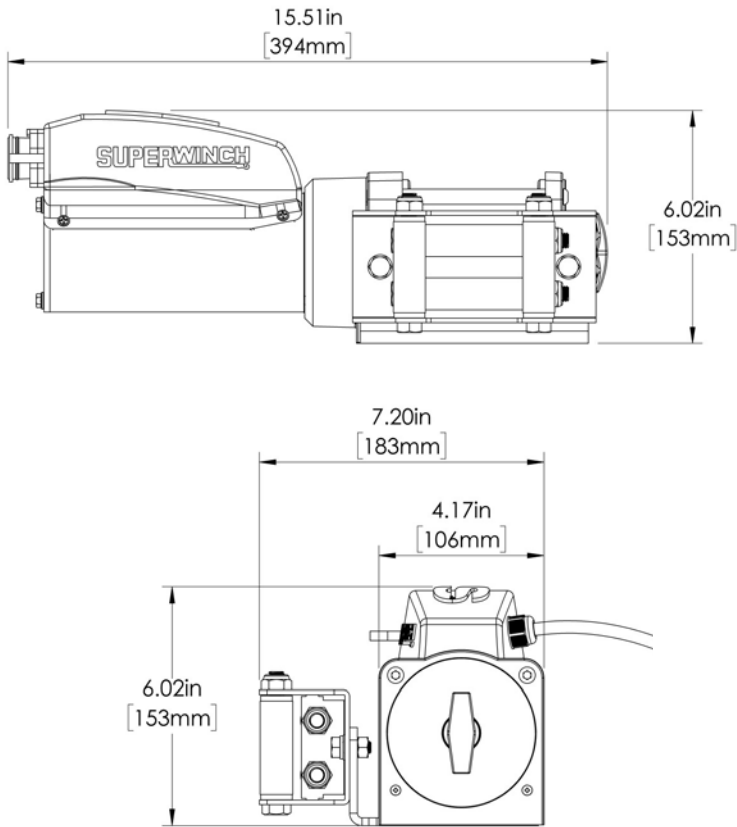
CONTENTS

ITEM	QUANTITY	DESCRIPTION
1	1	WINCH ASSEMBLY
2	1	REMOTE CONTROL
3	1	ROLLER FAIRLEAD
4	1	HOOK
5	2	M8 HEX HEAD BOLT (STAINLESS STEEL)
6	2	M8 FLAT WASHER (STAINLESS STEEL)
7	2	M8 SPLIT LOCK WASHER (STAINLESS STEEL)
8	2	M8 HEX NUT (STAINLESS STEEL)
9	3	M8 HEX HEAD BOLT (ZINC PLATED)
10	3	M8 FLAT WASHER (ZINC PLATED)
11	3	M8 SPLIT LOCK WASHER (ZINC PLATED)
12	3	M8 HEX NUT (ZINC PLATED)

ANTI-SEIZE LUBRICANT MUST BE USED ON ALL STAINLESS STEEL FASTENERS TO PREVENT THREAD DAMAGE AND GALLING



PRODUCT SPECIFICATIONS



1715001 - AC 1500 Winch

Motor: 1.1 HP / 0.82 kW, Permanent Magnet 120 Volt AC

Gear Ratio: 262:1

First Layer Rated Line Pull: 1,500 lbs / 680 kg

Drum Length: 3.25 in. / 82mm

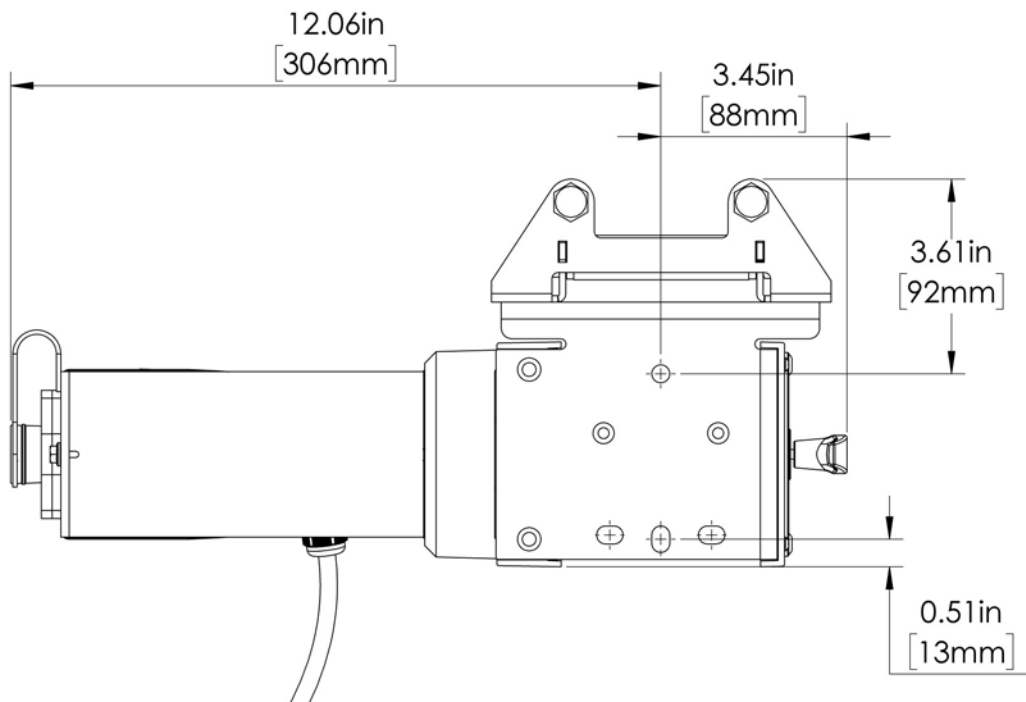
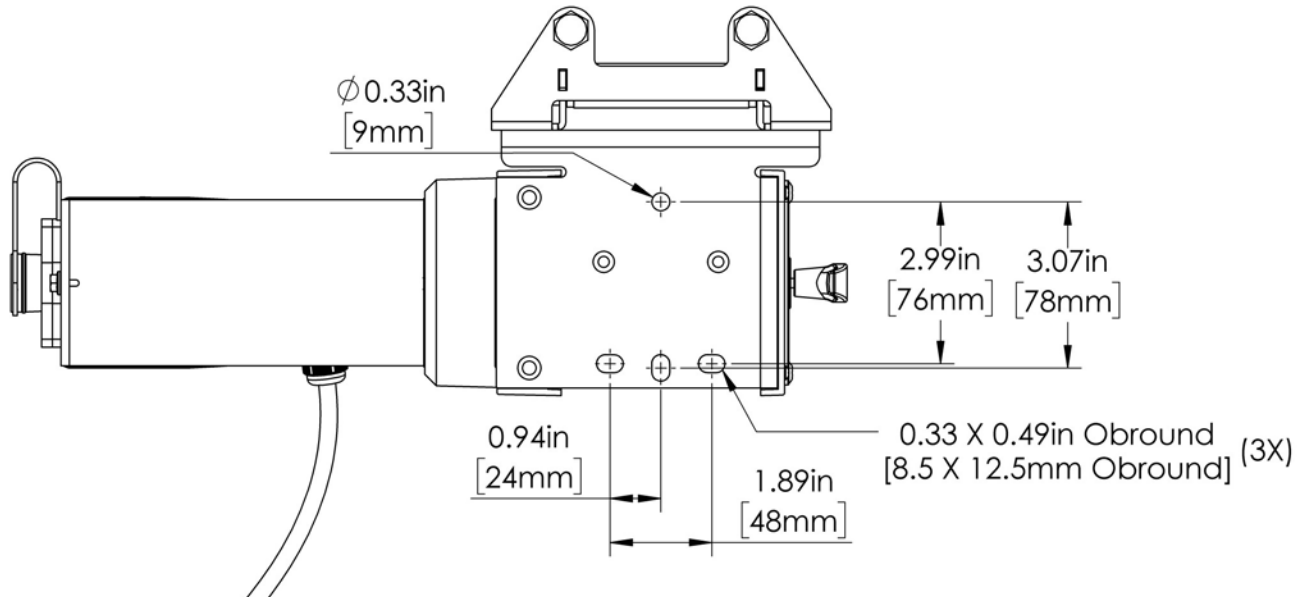
Drum Diameter: 1.95 in. / 49mm

Wire Rope Length: 35 ft. / 10.5m

Wire Rope Diameter: 1/8 in. / 3mm

Remote Control Cable Length: 9.6 ft. / 2.9m

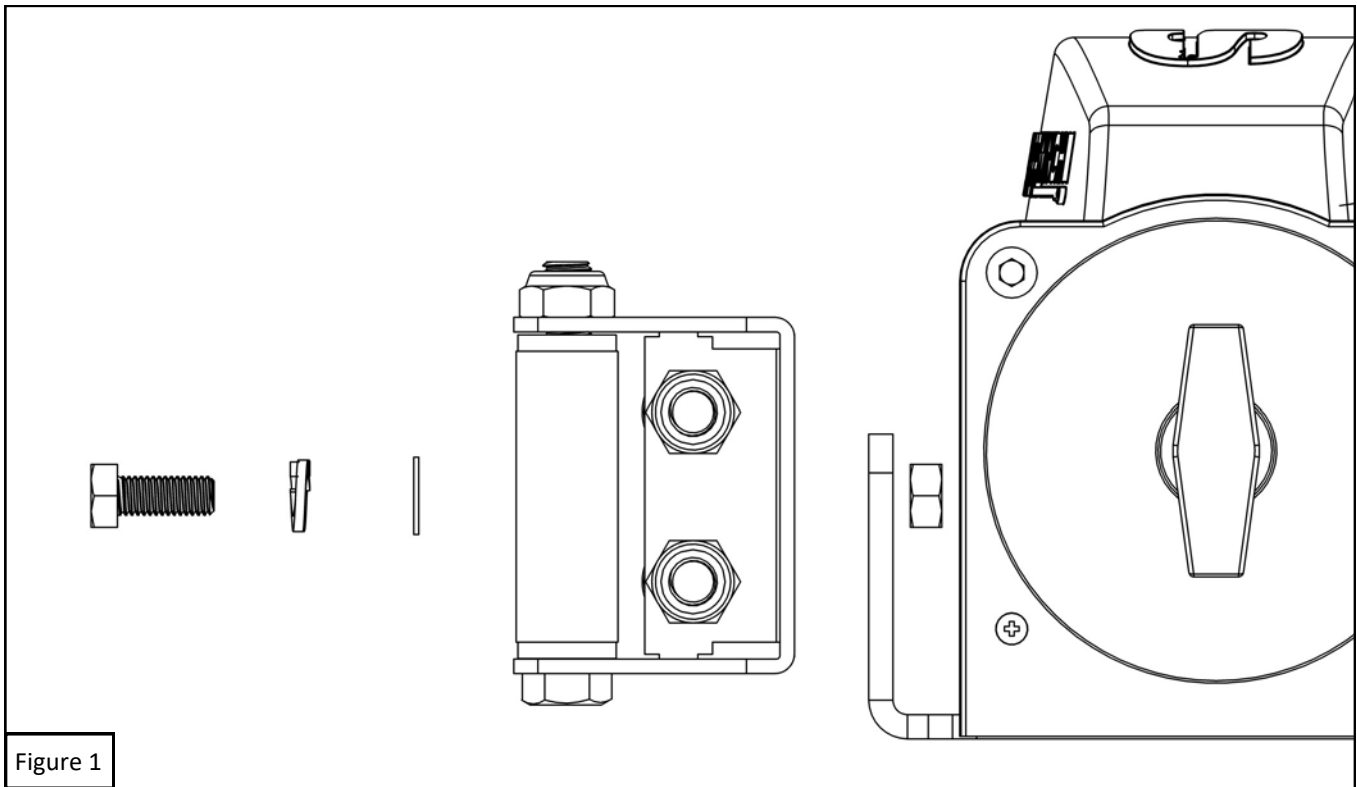
PRODUCT SPECIFICATIONS



INSTALLATION INSTRUCTIONS

1. Remove contents from box, verify if all parts listed are present and free from damage. **Failure to identify damage before installation could lead to a rejection of any claim.**
2. Carefully read and understand all instructions before attempting installation. **Ensure that all mounting hardware is torqued to specifications prior to use.**

3. Install the fairlead (item 3) using the M8 stainless steel hardware (items 5-8). See **Figure 1**.



4. Select a mounting structure strong enough to support the operating load of the winch.
5. Mount the winch using the M8 zinc plated hardware (items 9-12). See **Figures 2 - 4**.
6. Tighten and torque all M8 hardware to 16-18 ft-lbs.

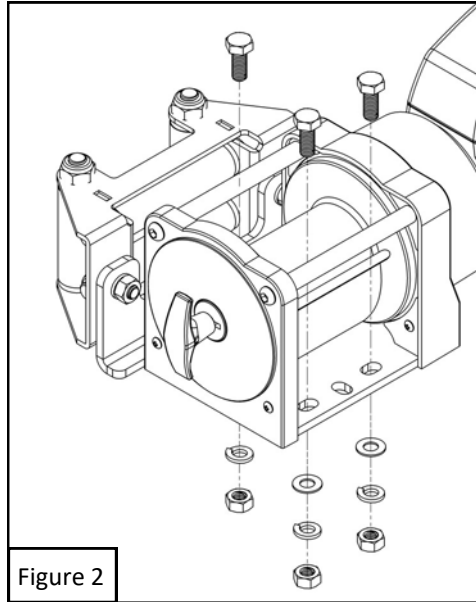


Figure 2

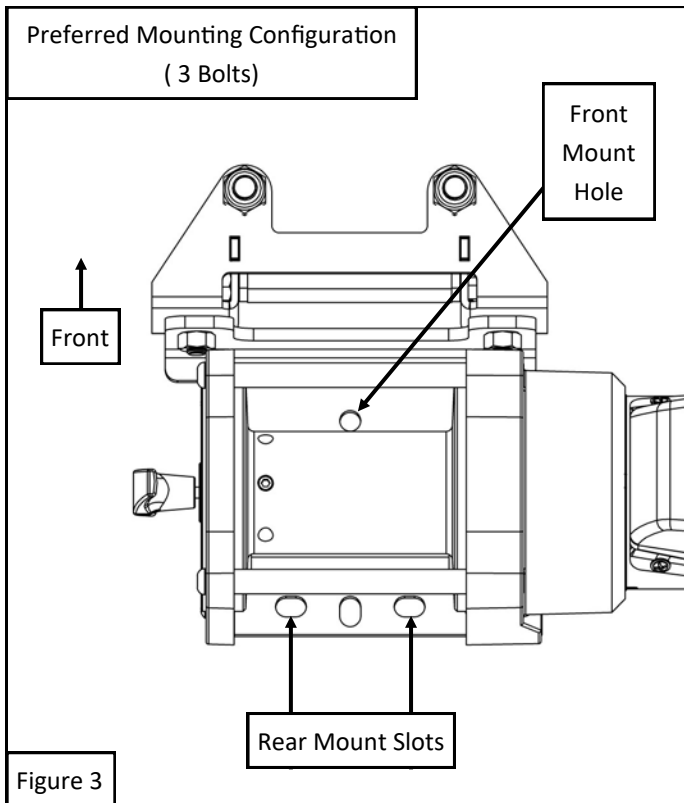


Figure 3

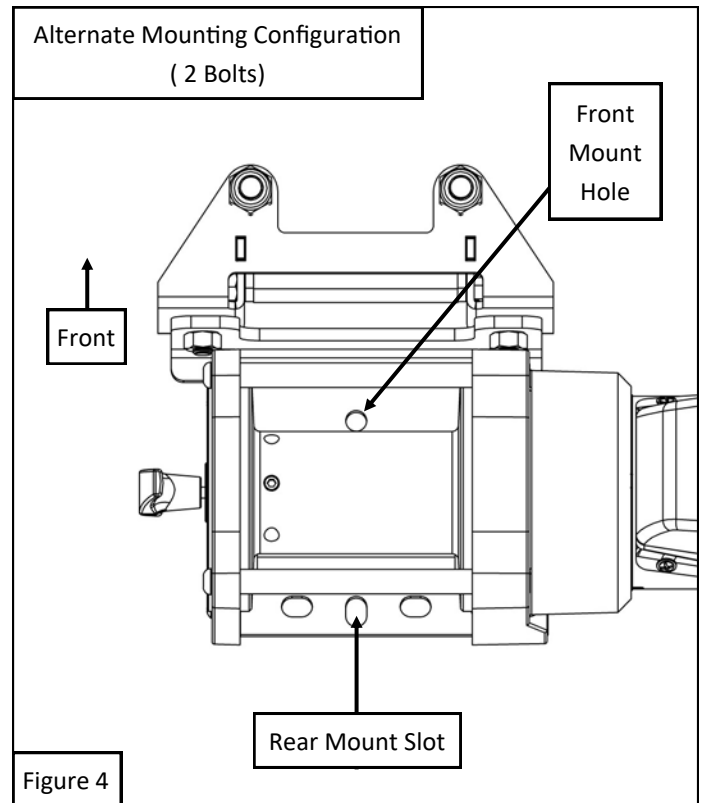
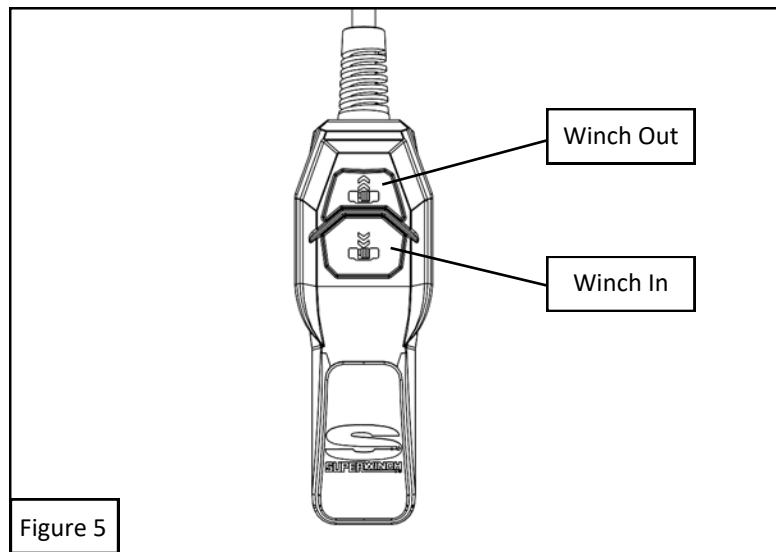


Figure 4

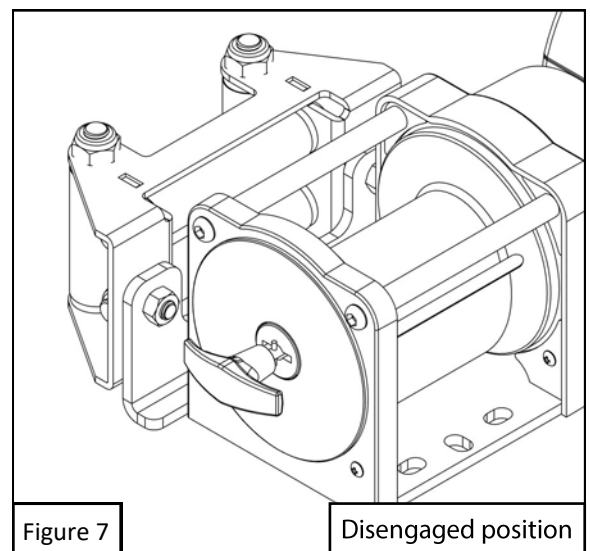
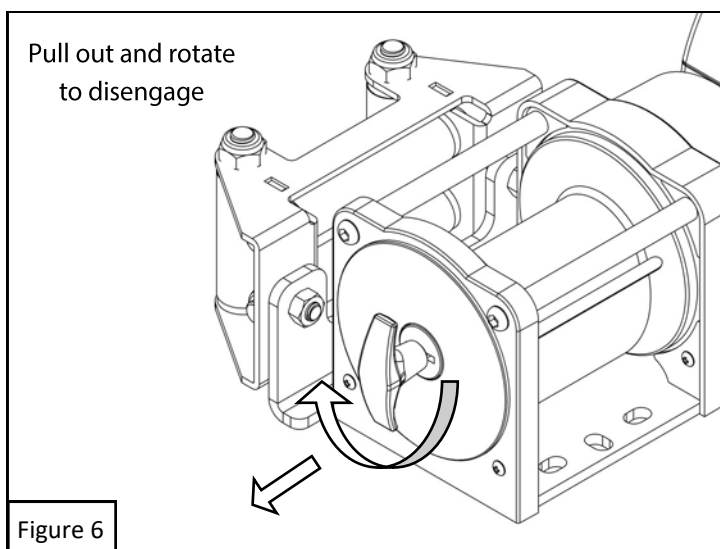
REMOTE CONTROL OPERATION



FREE SPOOL OPERATION

To free spool the cable off of the winch:

1. Ensure there is no tension on the clutch.
2. Pull the clutch handle out and rotate 90 degrees. See **Figure 6**.
3. Using the supplied hand saver, pull out cable as needed.
4. Pull the clutch handle out and rotate 90 degrees again to engage the winch.



WINCH OPERATING INSTRUCTIONS

Every winching situation has the potential for serious personal injury. To minimize that risk, read this User's Guide carefully. Familiarize yourself with the operation of your winch before using it. Your constant focus on good judgment and winch safety are of great importance. Your winch includes safety icons, warnings and cautions in multiple areas. Please observe carefully and refer to these warnings include below. The winch contains moving parts and sharp edges which can result in cuts, burns, lacerations and/or amputations.



1. Read Owners Manual



2. Electric Shock Hazard



3. Fire and Burn Hazard



4. Hot Surface Hazard



5. Moving Parts Hazard



6. Sharp Edge Hazard



7. Always Use a Handsaver Strap



8. Always Keep Clear of Winch, Rope and Load



9. Always Properly Seat Load in Throat of Hook.



10. Always Use a Shackle or Strap When Attaching the Hook to an Anchor Point



11. Always Wear Personal Protection Gear.



12. Always Wear Heavy Protective Gloves.



13. Never Apply Load to Hook Tip or Latch.



14. Never attach the hook back on to the rope.



15. Never Put your fingers into the hook.



16. Never touch the rope when in tension or under load.



17. Never use winch as a hoist.



18. Never use a winch to secure a load in place.



19. Never use a winch to lift or move people.



20. Never wind rope over top of drum.



21. Risk of explosion.

OPERATION WARNINGS

- Improper use or overloading of the winch can result in a release of load or rope failure.
- Before winching a load, be sure the freespool is fully in the engaged position.
- Always apply load to the throat (center) of the hook.
- Always be certain anchor will withstand load.
- Always ensure hook latch is closed and not supporting load.
- Always operate the winch with an unobstructed view of the winching operation.
- Always seat load in throat of hook. Always take your time when rigging and include a reasonable factor for safety. Never operate a winch with less than 5 turns of wire rope around the winch drum. Never operate a winch with less than 8 turns of synthetic rope around the winch drum.
- Always use a hook with a latch. Never apply load to hook tip or latch.
- Never disengage the freespool while winch is under load.
- Always mount winch so that rope feeds through fairlead on front of winch parallel to the mounting surface and does not rub across housing or base.
- Always use tackle, hooks, pulley blocks, straps, etc. rated in excess of the load capability of the winch. Never exceed the winch rated capacity.
- Never hook the rope back onto itself, use a sling or strap to secure to anchor point.

WARNINGS

Failure to follow these instructions could lead to death, personal injury, and / or property damage.

FASTENERS:

All SUPERWINCH supplied fasteners must be utilized and installed in accordance with the installation instructions and apply torque to the specifications as defined. DOUBLE CHECK ALL FASTENERS BEFORE INITIAL USE, AND PERIODICALLY IN THE FUTURE TO ENSURE PROPER FUNCTION AND SAFETY.

EYE PROTECTION:

ALWAYS WEAR SAFETY GLASSES OR GOGGLES DURING THE INSTALLATION PROCESS TO AVOID PERSONAL INJURY.

FOR CALIFORNIA RESIDENTS ONLY-PROP 65 WARNING:

Some products may contain chemicals such as DEHP, which can cause cancer, birth defects or other reproductive harm. For more info go to www.p65warnings.ca.gov



For more information on this and other products,
or to be put in contact with a Superwinch sales
rep or distributor, call (800) 323- 2031
or email info@superwinch.com

SUPERWINCH
320 W. COVINA BLVD.
SAN DIMAS, CA 91773

© 2019 SUPERWINCH®, Superwinch®, and S Superwinch® (design) are registered trademarks of Superwinch Inc. in the United States and/or other countries.