

INSTALLATION INSTRUCTIONS AND PARTS LIST

APPLICATION: 45/460751 BLACK AND STAINLESS STEEL NERF BARS:
2007 AND NEWER TOYOTA TUNDRA REGULAR CAB



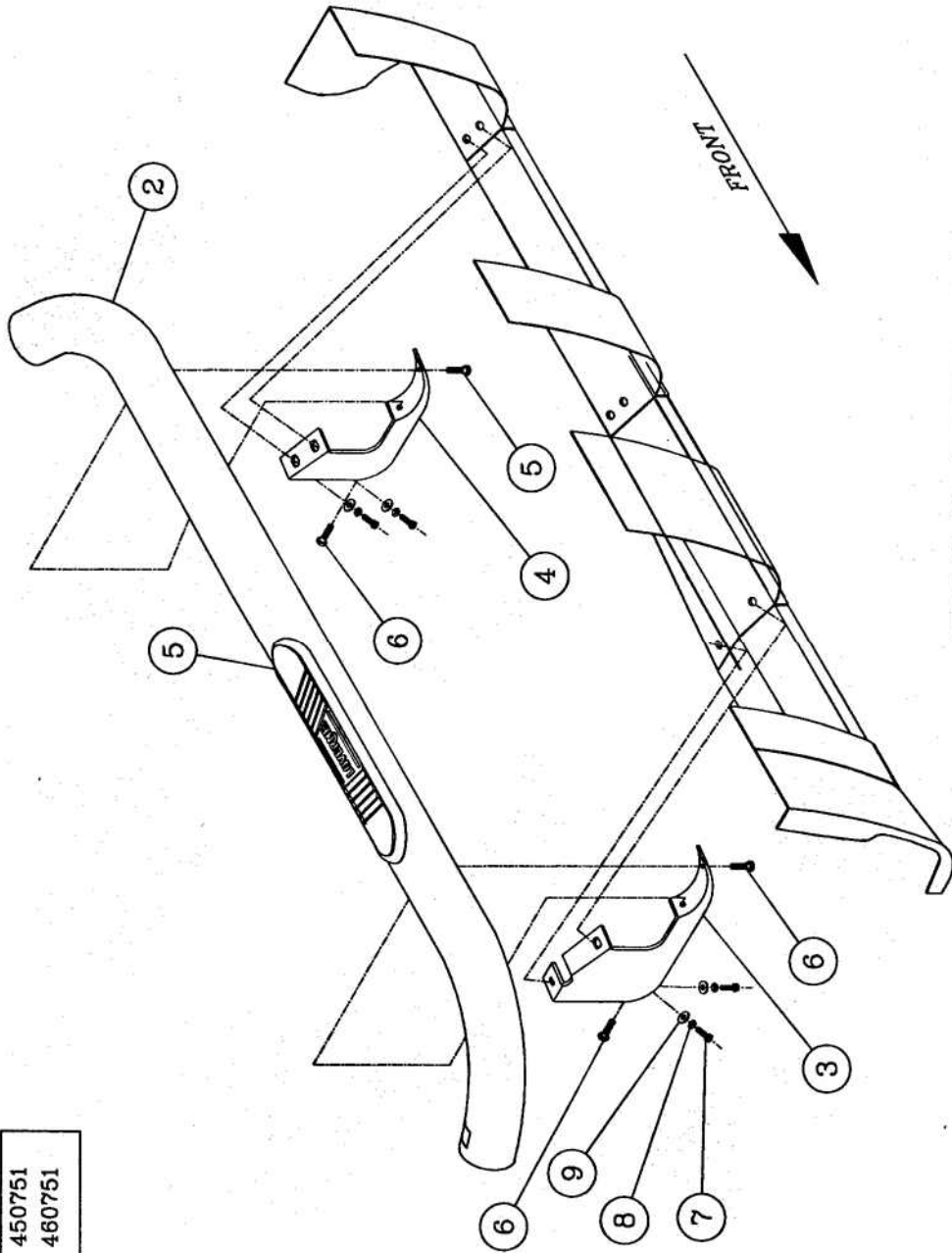
1. Read Instructions completely and check to make sure that all required parts (listed on service parts list) are on hand before starting the installation.
2. The mounting brackets are attached to the step plate for your convenience. The *LUVERNE* decal is located on the front driver's side.
3. The nerf bar assemblies must be mounted to the inboard surface of the rocker panel per the following instructions.
 - 3.1. Position the nerf bar assembly (item #1 thru #5) up under the rocker panel so that the holes in the brackets line up with the holes on the inside of the rocker panel.
 - 3.2. Attach the brackets to the vehicle using M8-1.25 X 25MM screw, lock washer, and flat washer (items #6 #7 #8). Repeat for all brackets.
 - 3.3. Torque all screws to 19 lb. ft.

SERVICE PARTS LIST

ITEM	PART NO.	QTY	DESCRIPTION
1	550740	1	NERF BAR WLDMT-LH,SST,460751
	550741	1	NERF BAR WLDMT-RH,SST,460751
2	550775	1	NERF BAR WLDMT-LH, BLK,450751
	550776	1	NERF BAR WLDMT-RH,BLK,450751
3	550746	2	BRKT-MTG,FRONT,LH,RH,TOY TUNDRA
4	550747	2	BRKT-MTG, REAR, LH/RH, TOY TUNDRA
5	103950	4	PAD,NERF BAR,BLK,20.0"
6	105105	8	SCR-BTN HD, 3/8-16X3/4, SST
7	102549	8	SCREW-HEX HD,M8-1.25 X 25MM
8	100030	8	WASHER-LOCK, 5/16"
9	100034	8	WASHER-FLAT, 5/16"

SERVICE PARTS LIST

MODEL NO. - 450751
460751



LEFT HAND (DRIVERS SIDE) SHOWN
RIGHT HAND (PASSENGERS SIDE) OPPOSITE

LOVERNE TRUCK EQUIPMENT INC.
1200 Birch Street
Brandon, SD 57005