



# AIRCHARGER®

## HIGH-FLOW INTAKE KITS

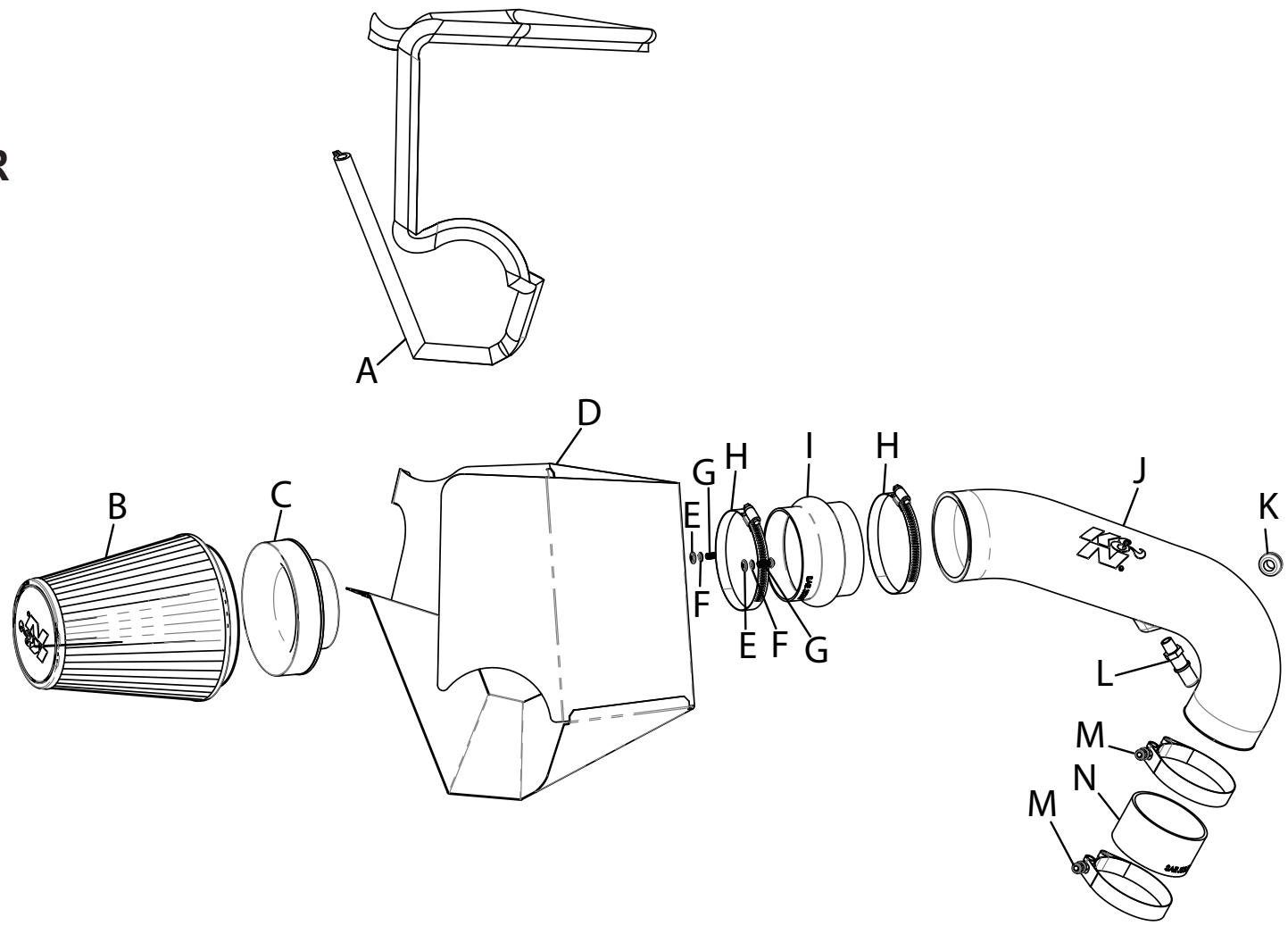
NOT LEGAL FOR SALE OR USE ON ANY POLLUTION CONTROLLED MOTOR VEHICLE IN CALIFORNIA OR STATES ADOPTING CALIFORNIA EMISSION PROCEDURES.  
See knfilters.com for CARB status on each part for a specific vehicle

### INSTALLATION INSTRUCTIONS

**63-1589**  
**JEEP**  
**2022 WAGONEER**  
**V8-5.7L**

**TOOLS NEEDED:**

- Flat blade screwdriver
- 4mm allen key
- Side Cutters
- 13mm wrench
- 19mm wrench



**PARTS LIST:**

Description	Qty.	Part #	Description	Qty.	Part #	Description	Qty.	Part #
A EDGE TRIM; 70"L	1	102454	F WASHER; M6 SPLIT LOCK	2	1-3025	K GROMMET; 1"OD	1	08064
B AIR FILTER	1	RU-1044	G BOLT; M6-1 X 12MM BTNHD	2	07794	L VENT; 1/4 NPT TO 5/8"	1	082628
C ADAPTOR; #454	1	27300	H HOSE CLAMP; #56	2	08620	M HOSE CLAMP; #64	2	08645
D HEAT SHIELD	1	074560	I HOSE; HUMP 4"ID X 3"L	1	08418	N HOSE; 3.5"ID X 2"L	1	08698
E WASHER; 6MM FLAT	2	08269	J TUBE; (LV)	1	087403			

**If you need any assistance please call 1-800-858-3333 to speak with a representative in our Customer Service Center before returning the product.**

**NOTE: FAILURE TO FOLLOW INSTALLATION INSTRUCTIONS AND NOT USING THE PROVIDED HARDWARE MAY DAMAGE THE INTAKE TUBE, THROTTLE BODY AND ENGINE.**

**TO START:**

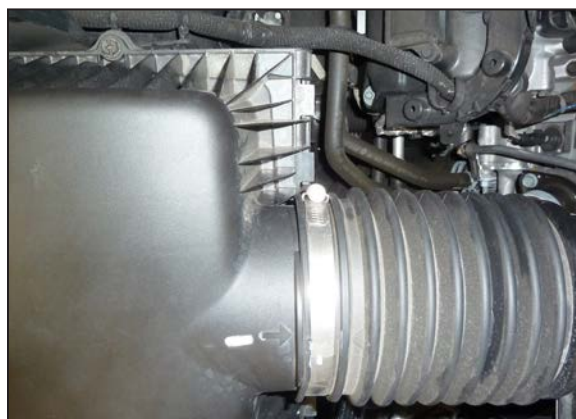
1. Turn off the ignition and disconnect the negative battery cable.  
**NOTE: Disconnecting the negative battery cable erases pre-programmed electronic memories. Write down all memory settings before disconnecting the negative battery cable. Some radios will require an anti-theft code to be entered after the battery is reconnected. The anti-theft code is typically supplied with your owner's manual. In the event your vehicles anti-theft code cannot be recovered, contact an authorized dealership to obtain your vehicles anti-theft code.**



2. Disconnect the CCV quick connector and the IAT electrical connection.



3. Loosen the hose clamp that secures the intake tube to the throttle body.



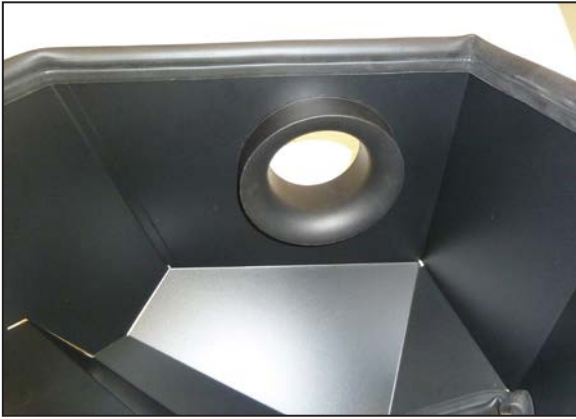
4. Loosen the hose clamp that secures the intake tube to the air filter housing. Remove the intake tube from the vehicle.



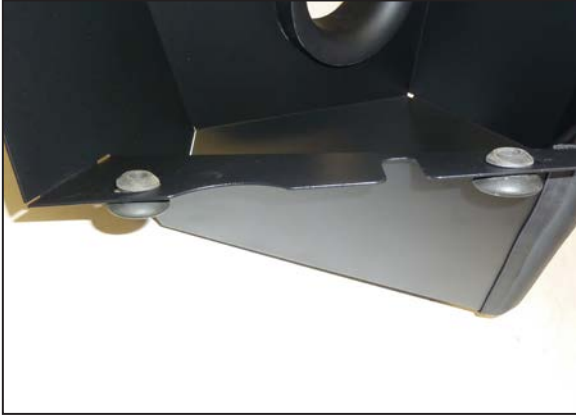
5. Pull the air filter housing up and remove it from the vehicle.



6. Install the edge trim onto the heat shield as shown. Some trimming of the edge trim will be necessary.



7. Install the filter adapter into the heat shield using the provided hardware.



8. Remove two of the mounting grommets from the factory air filter housing and install them into the K&N heat shield as shown.



9. Remove the air filter housing mounting bracket bolt shown.



10. Install the K&N heat shield into the vehicle and secure with the factory bolt removed in the previous step. **NOTE: The upper rear tap will go between the inner fender and the air filter housing mounting bracket.**



11. Install the provided hump hose onto the filter adapter and secure with the provided hose clamp.



12. Install the provided straight coupler onto the throttle body and secure with the provided hose clamp.



13. Install the provided CCV quick connect fitting into the K&N intake tube. Remove the IAT sensor from the factory intake tube, remove the O-ring from the sensor and then install it into the K&N intake tube using the provided grommet.



14. Install the K&N intake tube into the couplers, adjust for best fit and then secure with the provided hose clamps.



15. Connect the factory CCV hose to the quick connector installed into the K&N intake tube and reconnect the IAT sensor electrical connection.



16. Reconnect the vehicle's negative battery cable. Double check to make sure everything is tight and properly positioned before starting the vehicle.

17. It will be necessary for all K&N® high flow intake systems to be checked periodically for realignment, clearance and tightening of all connections. Failure to follow the above instructions or proper maintenance may void warranty.

#### ROAD TESTING:

1. Start the engine with the transmission in neutral or park, and the parking brake engaged. Listen for air leaks or odd noises. For air leaks secure hoses and connections. For odd noises, find cause and repair before proceeding. This kit will function identically to the factory system except for being louder and much more responsive.

2. Test drive the vehicle. Listen for odd noises or rattles and fix as necessary.

3. If road test is fine, you can now enjoy the added power and performance from your kit.

4. K&N Engineering, Inc., requires cleaning the intake system's air filter element every 100,000 miles. When used in dusty or off-road environments, our filters will require cleaning more often. We recommend that you visually inspect your filter once every 25,000 miles to determine if the screen is still visible. When the screen is no longer visible some place on the filter element, it is time to clean it. To clean and re-oil, purchase our filter Recharger® service kit, part number 99-5050 or 99-5000 and follow the easy instructions.

**NOT LEGAL FOR SALE OR USE ON ANY POLLUTION CONTROLLED MOTOR VEHICLE IN CALIFORNIA OR STATES ADOPTING CALIFORNIA EMISSION PROCEDURES.**

See [knfilters.com](http://knfilters.com) for CARB status on each part for a specific vehicle