

INSTALLATION INSTRUCTIONS

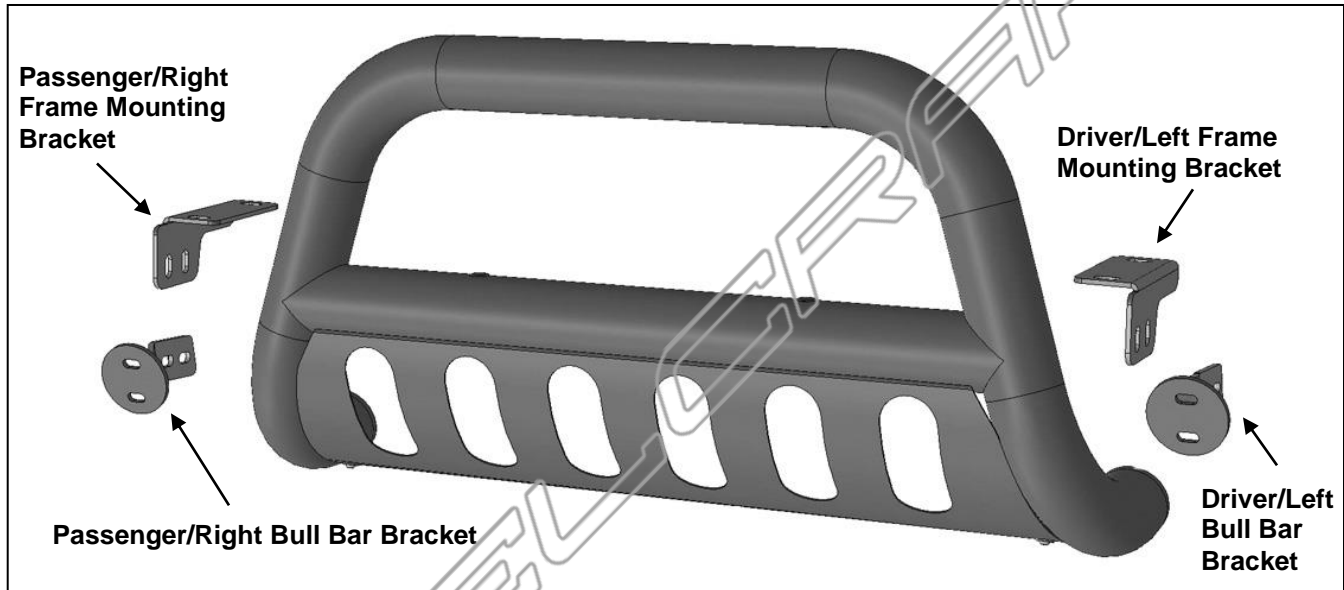
3" BULL BAR

2016-2024 NISSAN TITAN XD

STEEL DEFENDER

PARTS LIST:

1	Bull Bar	12	12mm x 32mm OD x 2.5mm Flat Washers
1	Driver/Left Frame Mounting Bracket	8	12mm Lock Washers
1	Passenger/Right Frame Mounting Bracket	4	12-1.75mm Hex Nuts
1	Driver/Left Bull Bar Bracket	4	8-1.25mm x 25mm Hex Bolts
1	Passenger/Right Bull Bar Bracket	4	8mm x 24mm OD x 2mm Flat Washers
4	12-1.75mm x 35mm Coarse Thread Hex Bolts	4	8mm Lock Washers
4	12-1.25mm x 55mm Fine Thread Hex Bolts		



PROCEDURE:

REMOVE CONTENTS FROM BOX. VERIFY ALL PARTS ARE PRESENT. READ INSTRUCTIONS CAREFULLY BEFORE STARTING INSTALLATION. ASSISTANCE IS RECOMMENDED.

It may be necessary to remove/relocate front license plate and license plate bracket. It is not required, but strongly recommended. If local/state law requires a license plate, license plate relocation kit is available.

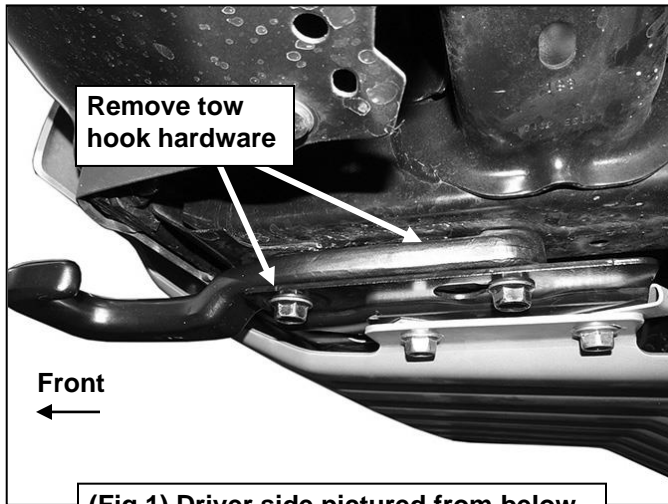
1. Start installation under the driver side front of the vehicle, **(Figure 1)**. Locate and remove the (2) hex bolts attaching the tow hook to the bottom of the frame.
2. Select the driver side Frame Mounting Bracket. Hold the tow hook in place and line up the Bracket with the (2) mounting holes. Attach the Bracket to the tow hook and frame with the (2) included special 12-1.25mm x 55mm **Fine Thread** Hex Bolts, (2) 12mm Lock Washers and (2) 12mm Flat Washers, **(Figure 2)**. **VERY IMPORTANT:** Use only the provided **12-1.25mm x 55mm Fine Thread Hex Bolts** to bolt the Brackets to the vehicle or damage to the frame may result. Do not tighten hardware at this time.
3. Repeat **Steps 1—2** for passenger side Frame Bracket installation.
4. Place the Bull Bar on a clean, stable work surface, **(Figure 3)**. Select the driver side Bull Bar Bracket. Bolt the Bracket to the end of the Bull Bar with the included (2) 8mm Hex Bolts, (2) 8mm Lock washers and (2) 8mm Flat Washers, **(Figures 4 & 5)**. **NOTE:** Bracket should be close to center on the end of the Bull Bar tube. Snug but do not tighten hardware at this time. Repeat this **Step** for passenger side Bracket, **(Figure 5)**.
5. With assistance, position the Bull Bar onto the inside of the Mounting Brackets. Attach the Bull Bar to the Mounting Brackets with (4) 12-1.75mm x 35mm Coarse Thread Hex Bolts, (8) 12mm Flat Washers, (4) 12mm Lock Washers and (4) 12mm Hex Nuts, **(Figures 6)**. Do not tighten at this time.
6. Level and adjust the Bull Bar and fully tighten all hardware.
7. Do periodic inspections to the installation to make sure that all hardware is secure and tight.

To protect your investment, wax this product after installing. Regular waxing is recommended to add a protective layer over the finish. Do not use any type of polish or wax that may contain abrasives that could damage the finish.

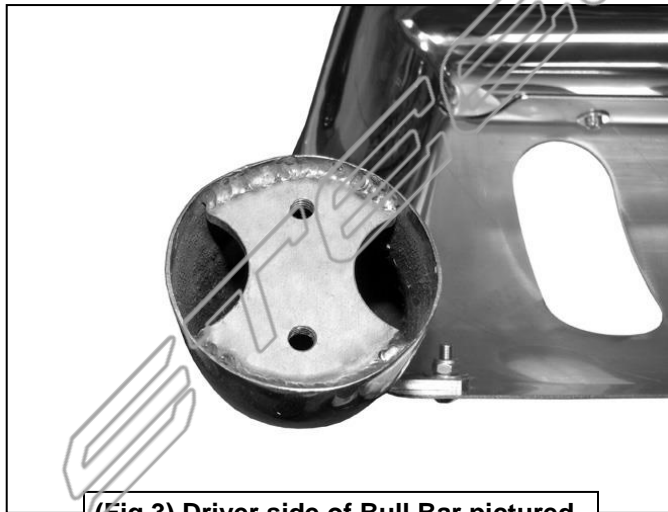
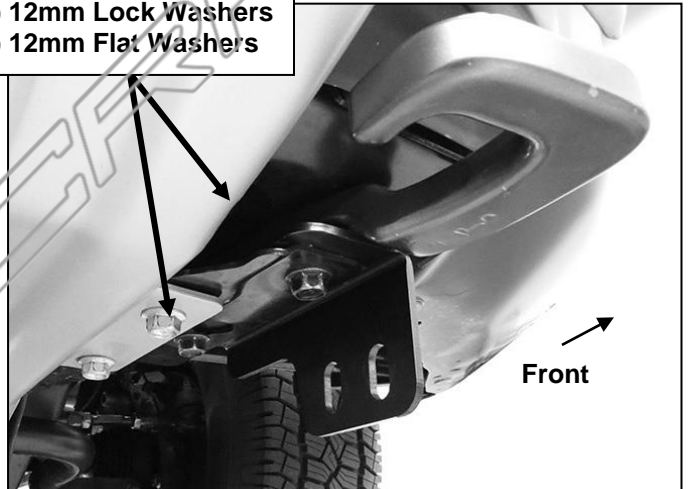
For stainless steel: Aluminum polish may be used to polish small scratches and scuffs on the finish. Mild soap may be used also to clean the Bull Bar.

For gloss black finishes: Mild soap may be used to clean the Bull Bar.

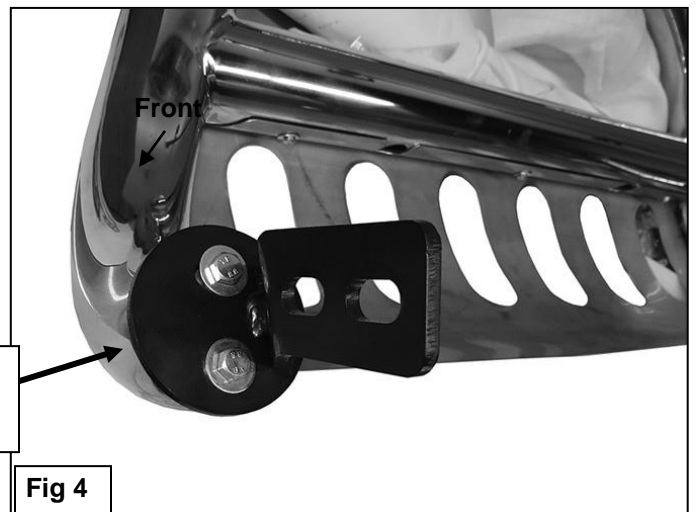
Driver/left Side Installation Pictured



- (2) 12-1.25mm x 55mm Fine Thread Hex Bolts
- (2) 12mm Lock Washers
- (2) 12mm Flat Washers

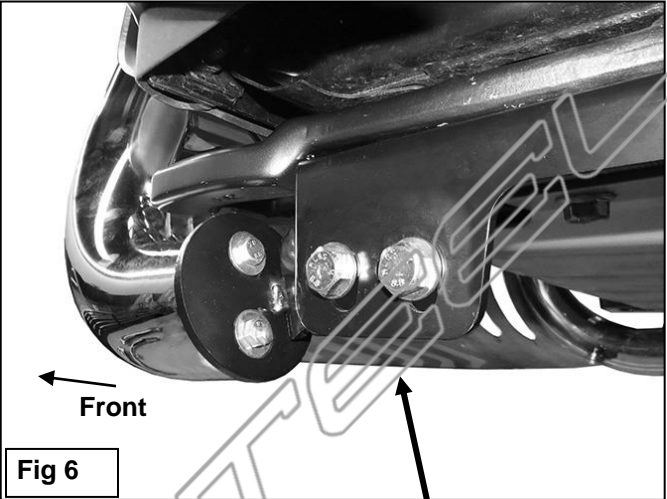
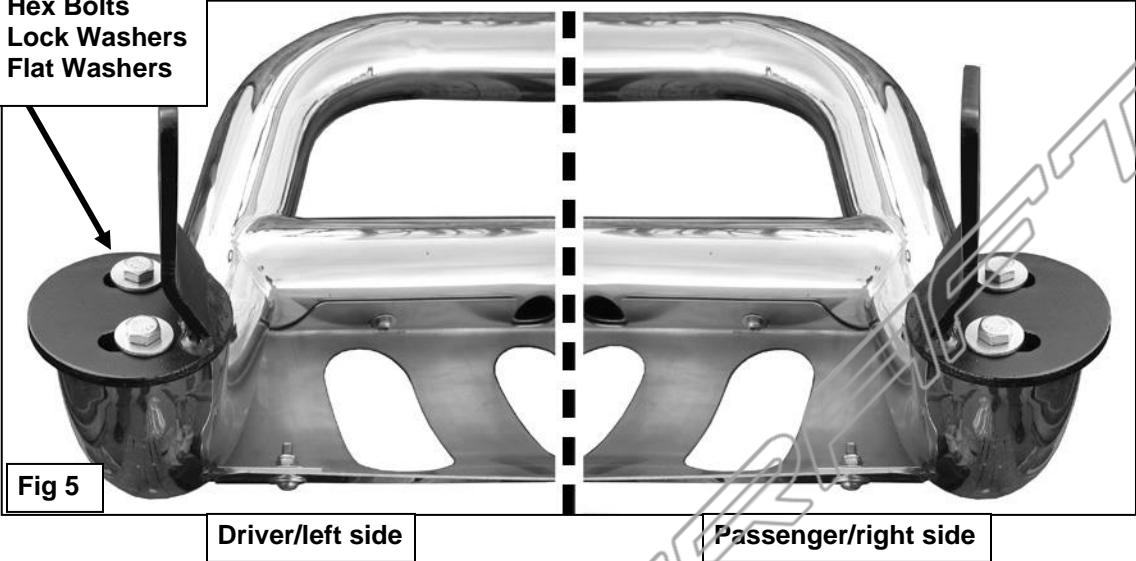


- (2) 8mm Hex Bolts
- (2) 8mm Lock Washers
- (2) 8mm Flat Washers



Driver/left Side Installation Pictured

- (2) 8mm Hex Bolts
- (2) 8mm Lock Washers
- (2) 8mm Flat Washers



- (2) 12-1.75mm x 35mm Coarse Thread Hex Bolts
- (2) 12mm Lock Washers
- (4) 12mm Flat Washers
- (2) 12mm Hex Nuts

