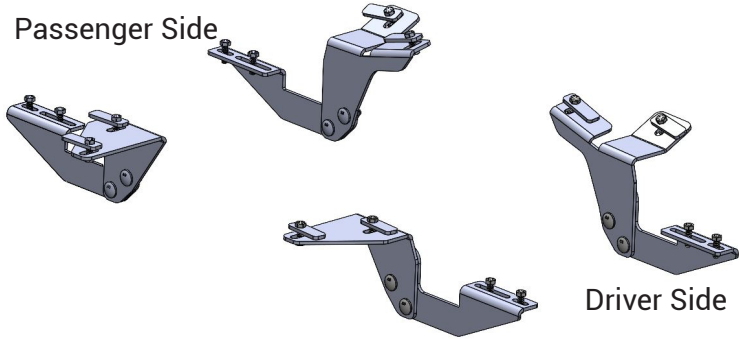


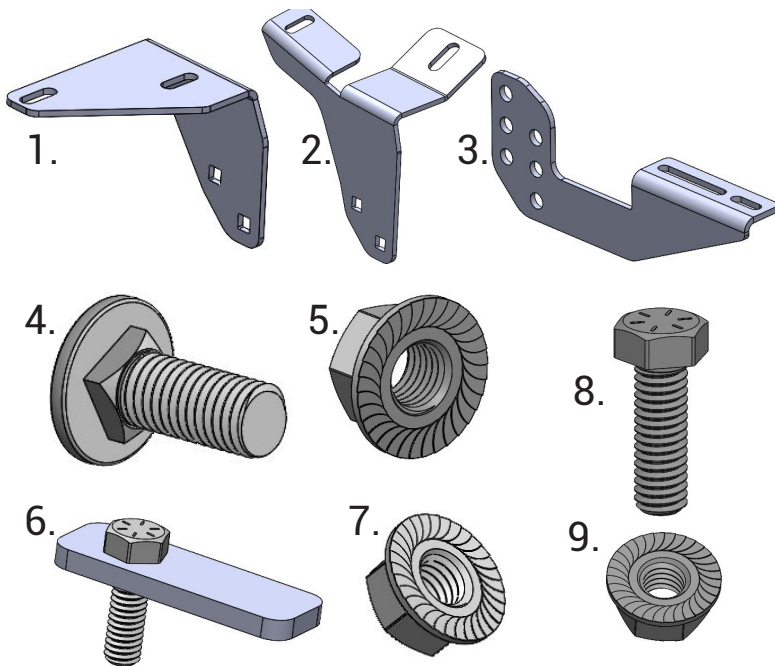
IAT-93200 2020 - Current Bronco Sport

Component List:

Passenger Side

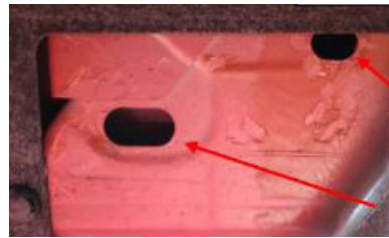


Driver Side



- | | |
|---------------------------------------|-----|
| 1. Truck Mount Bracket A | (2) |
| 2. Truck Mount Bracket B | (2) |
| 3. Board Mount Bracket | (4) |
| 4. Carriage Bolt M10 x 25mm | (8) |
| 5. Serrated Flange Nut M10 | (8) |
| 6. M8 Bolt Plate | (8) |
| 7. Serrated Flange Nut M8 | (8) |
| 8. Hex Bolt 5/16"-18 x 1" | (8) |
| 9. Serrated Flange Nut 5/16"-18 | (8) |

Installation Instructions:



FRONT

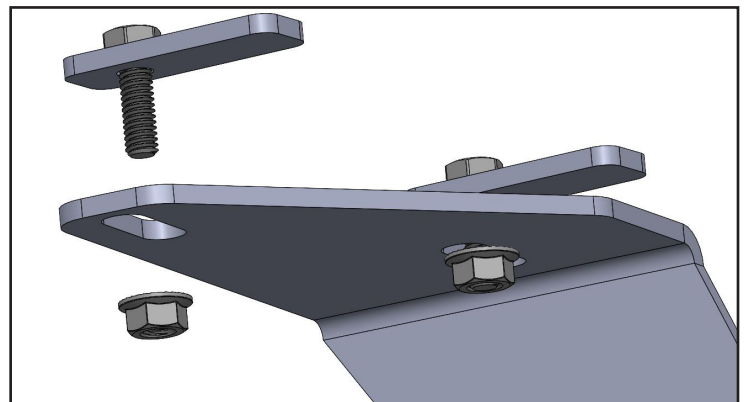


REAR

STEP 1:

Underneath the vehicle drop the felt cover at the front and rear to access the mounting holes or completely remove the felt cover.

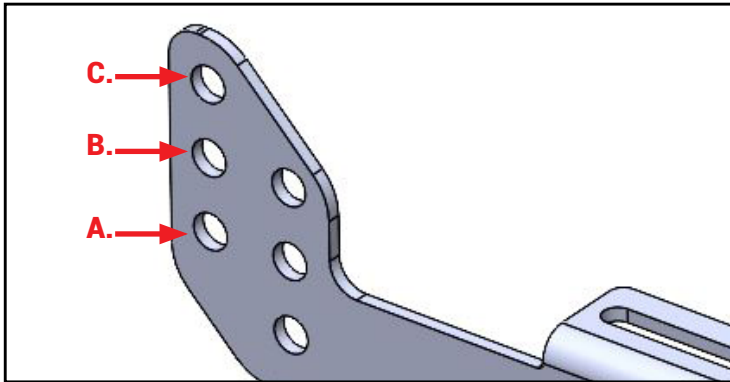
Note: After brackets are installed trim the felt panel to go around the running board brackets.



STEP 2:

Insert bolt plate (6) in the mounting holes of the vehicle that match your brackets. Bracket (1) is used at the front and bracket (2) at the rear. Meet the bracket to installed bolt plates and thread on the serrated flange nut (7). Hand tighten, do not fully tighten at this time.

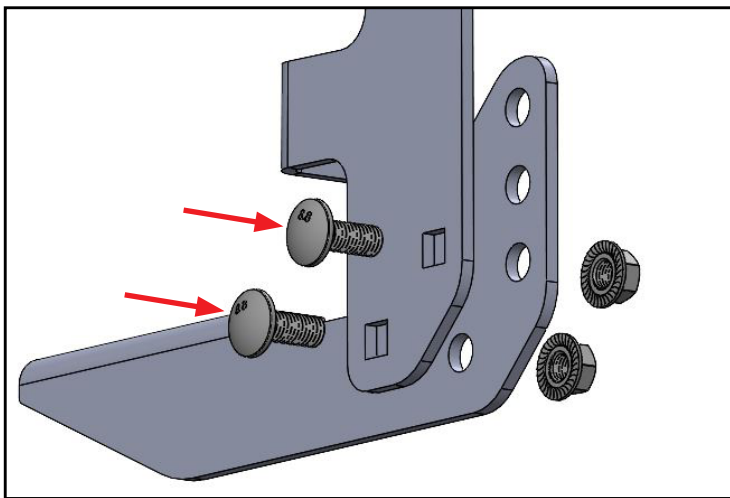
IAT-93200 2020 - Current Bronco Sport



STEP 3:

Before installing the board bracket (3), decide the preferred height. Here are our suggestions, but you can adjust to your preference:

- A. For 61 Series, 51 Series, & Gladiator boards.
- B. For 41 Series, CVX, & Factory Style boards (all from A).
- C. Lower position for any board.



STEP 4:

Use a carriage bolt (4) through the truck bracket (1 or 2) into the board bracket (3) and secure it with a serrated flange nut (5). Hand-tighten at this time.

STEP 5:

With one side of the brackets installed, use a flat edge (such as a yardstick, level, or the included running board) placed on the board bracket tabs. Align the brackets level to each other and fully tighten all hardware.



STEP 6:

To install running boards onto the brackets, obtain the board bolt pack included with the board you selected. Take the 5/16" X 1" long bolts, and slide the head of the bolts down the channels on the underside of the board. Use 4 bolts in both channels.



STEP 7:

Place the board on the installed mounting brackets. Align the bolts with the slots on the brackets and drop them into place. Thread the provided 5/16" flange nuts onto the bolts, but do not fully tighten yet. Adjust the board left to right and in and out to your desired position. Avoid using power or air tools. Finally, tighten all board hardware to 20ft lbs torque to secure the board to the bracket.