



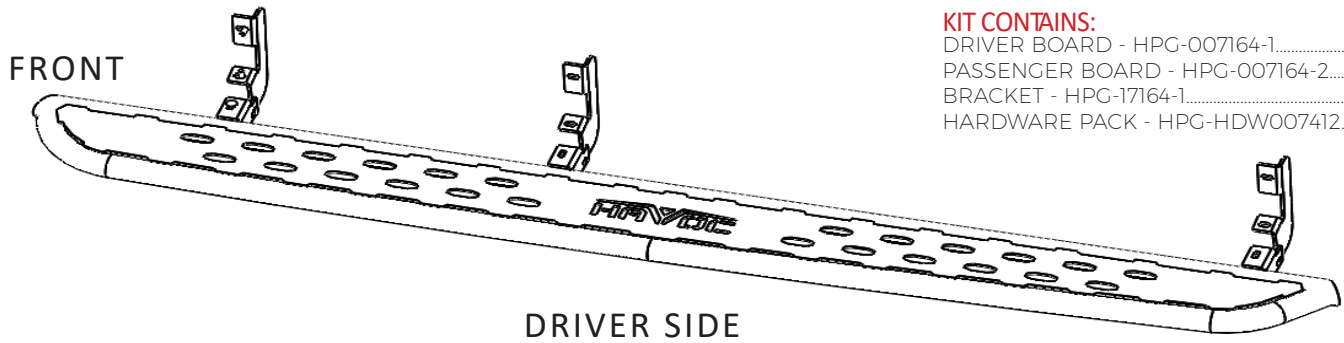
INSTALLATION INSTRUCTION

HAVOC HST

RUNNING BOARDS

2019-CURRENT GM 1500 CREW CAB
 2020-CURRENT GM HD CREW CAB

007164



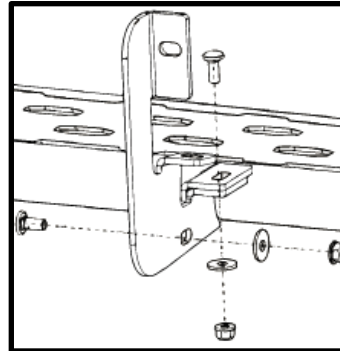
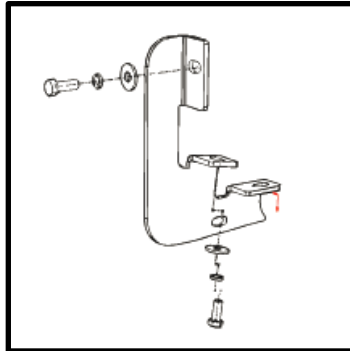
KIT CONTAINS:

- DRIVER BOARD - HPG-007164-1.....1
- PASSENGER BOARD - HPG-007164-2.....1
- BRACKET - HPG-17164-1.....6
- HARDWARE PACK - HPG-HDW007412...1

HARDWARE:

- | | |
|---------------------------------------|--|
| M8-1.25 X 25MM, ZINC HEX BOLT.....12 | M8-1.25 X 20MM, BLACK CARRIAGE BOLT.....12 |
| M8 X 24MM OD, ZINC FLAT WASHER.....12 | M8 X 24MM OD, BLACK FLAT WASHER.....12 |
| M8 ZINC LOCK WASHER.....12 | M8 BLACK SERRATED FLANGE NUT.....12 |

DETERMINE THE FRONT OF THE BOARD TO HELP DETERMINE THE DRIVER AND PASSENGER SIDE RUNNING BOARDS. THE TWO BRACKETS THAT ARE CLOSER TOGETHER ARE TOWARDS THE FRONT OF THE BOARD. SEE ILLUSTRATION ABOVE, SHOWING THE DRIVER SIDE RUNNING BOARD.



ONCE ALL THE BRACKETS ARE ATTACHED TO THE VEHICLE, CAREFULLY LIFT THE RUNNING BOARDS IN PLACE. USING THE BLACK CARRIAGE BOLTS, FLAT WASHERS & SERRATED FLANGE NUTS, SECURE THE BOARDS TO THE MOUNTED BRACKETS BUT DO NOT FULLY TIGHTEN UNTIL ALL HARDWARE IS IN PLACE.

USING THE HARDWARE PROVIDED, INSTALL BRACKETS TO THE VEHICLE LOCATIONS. THERE MAY BE BLACK PLASTIC PLUGS THAT YOU WILL NEED TO REMOVE TO ACCESS THE FACTORY INSTALLED THREADED INSERTS. THE FIRST LOCATION IS APPROX. 17" FROM THE FRONT FENDER WELL



AFTER ALL HARDWARE IS IN PLACE AND BOARDS ARE ADJUSTED TO YOUR PREFERENCE. TORQUE ALL HARDWARE TO APPROX. 17 TO 18 FT LBS. DO NOT OVER TIGHTEN HARDWARE AS DAMAGE TO THE VEHICLE COULD BE DONE WHICH COULD RESULT IN EXPENSIVE REPAIR.

INSTALL THE BRACKETS TO THE INSIDE ROCKER PANEL OF TRUCK USING THE M8-1.25 X 25MM ZINC HEX BOLTS, M8 LOCK & FLAT WASHERS. DO NOT FULLY TIGHTEN UNTIL ALL THE BRACKETS ARE SECURED TO THE VEHICLE AND THE BOARDS.



REPEAT THE PROCESS ON THE OPPOSITE SIDE OF THE VEHICLE AND ENJOY YOUR NEW HAVOC HST STEPS.