



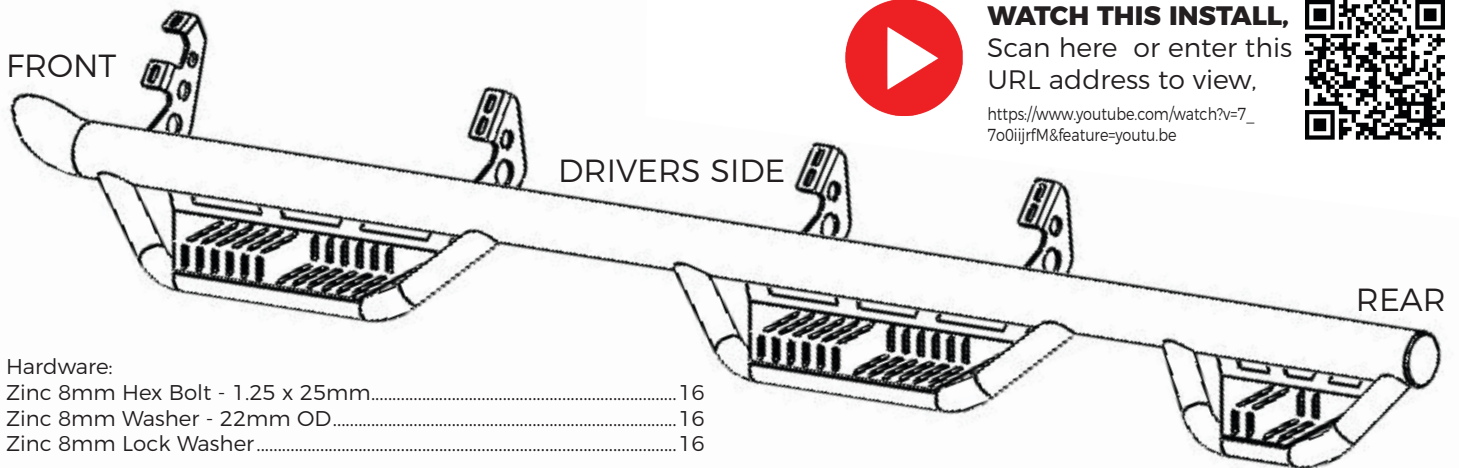
# INSTALLATION INSTRUCTIONS

## HAVOC HS3

### NERF BAR WITH STEP

**HPG-003402**

2007-2021 TOYOTA TUNDRA DBL CAB 6.5' BED



Hardware:

Zinc 8mm Hex Bolt - 1.25 x 25mm.....	16
Zinc 8mm Washer - 22mm OD.....	16
Zinc 8mm Lock Washer.....	16



**WATCH THIS INSTALL,**  
Scan here or enter this URL address to view,  
[https://www.youtube.com/watch?v=7\\_7o0ijrfM&feature=youtu.be](https://www.youtube.com/watch?v=7_7o0ijrfM&feature=youtu.be)



**STEP 1:**  
Identify the driver and passenger bars. The first bracket has a large notch between the two mounting holes. This bracket goes to the front of the truck.



**STEP 2:**  
Each mounting bracket consist of 2 mounting holes.



**STEP 3:**  
Remove OE boards if equipped then locate mounting holes. Clean any dirt and debris from mounting holes and surface.



**STEP 4:**  
Carefully place HS3 step onto Place. Hand tightening the upper center bolt with washers to hold in place. Best to have a assistant to lift and hold board in place. Now hand tightening remaining mounts.



**STEP 5:**  
Begin tightening bolts in a alternating pattern. **Avoid using power or air tools.** Over tightening could strip or break the OE threaded inserts.



**STEP 6:**  
Tighten to 20ft lbs torque to secure the board to the truck. Repeat the same procedure to the other side.

