



INSTALLATION INSTRUCTIONS

HAVOC HS3

NERF BAR WITH STEP

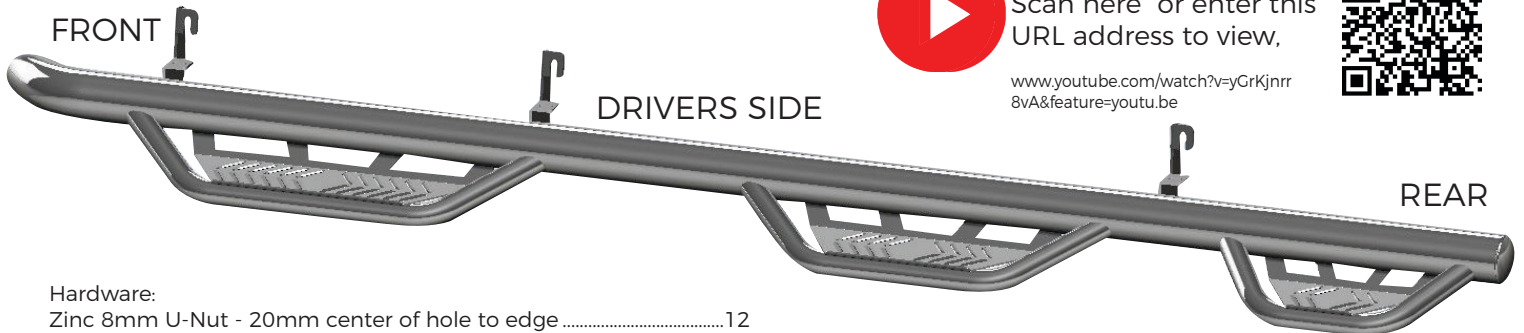
HPG-003153

2015-2022 GM COLORADO/CANYON CREW CAB 6.2' BED



WATCH THIS INSTALL,
Scan here or enter this
URL address to view,

www.youtube.com/watch?v=yGrKjnrr8vA&feature=youtu.be



Hardware:

| | |
|--|----|
| Zinc 8mm U-Nut - 20mm center of hole to edge | 12 |
| Zinc 8mm Hex Bolt - 1.25 x 25mm..... | 12 |
| Zinc 8mm Washer - 22mm OD..... | 12 |
| Zinc 8mm Lock Washer..... | 12 |

STEP 1:

Identify the driver and passenger bars. The center bracket is closer to the front of the truck.



STEP 2:

Each mounting bracket consist of 2 mounting holes. Both mounting locations mount to the truck body.



STEP 3:

Insert spring loaded U nuts to the body of the truck. Slide U nut through the large hole so that the threaded insert is through the smaller hole. 6 inserts install to the body on each side.



STEP 4:

Carefully place HS2 step into place. Use bolt, washer, lock washer and begin hand tightening all 3 lower mountings. Best to have a assistant to lift and hold board in place.



STEP 5:

Use bolt, washer, lock washer and begin hand tightening all 3 Upper mountings.



STEP 6:

Avoid using power or air tools. Tighten lower mounting first then upper bolts. Tighten to 20ft lbs torque to secure the board to the truck. Repeat the same procedure to the other side.

