



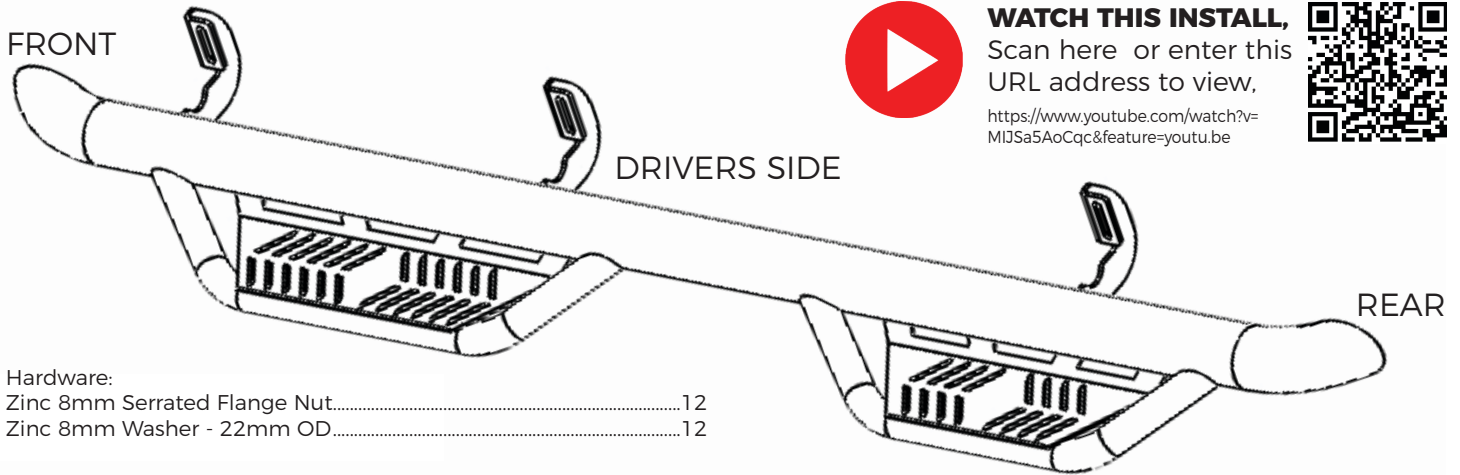
INSTALLATION INSTRUCTIONS

HAVOC HS2

NERF BAR WITH STEP

HPG-001304

2005-2021 NISSAN FRONTIER CREW CAB



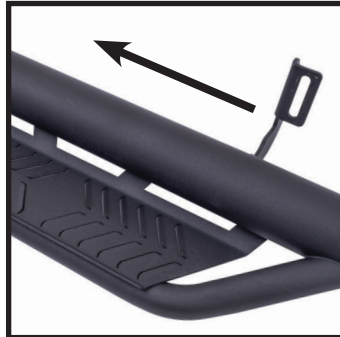
Hardware:
 Zinc 8mm Serrated Flange Nut.....12
 Zinc 8mm Washer - 22mm OD.....12



WATCH THIS INSTALL,
 Scan here or enter this
 URL address to view,
<https://www.youtube.com/watch?v=MJ5a5AoCqC&feature=youtu.be>



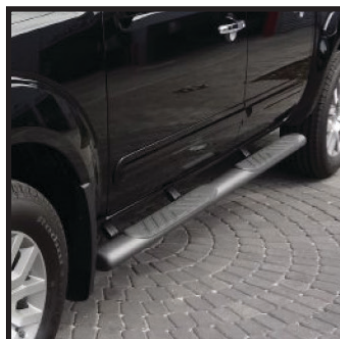
STEP 1:
 Identify the driver
 and passenger bars.
 The center bracket is
 closer to the front
 of the truck.



STEP 2:
 Each mounting
 bracket consist of
 holes that mount
 to the OE studs.



STEP 3:
 Remove OE boards
 if equipped then
 locate mounting
 studs. Clean any
 dirt and debris
 from mounting
 studs and
 surface.



STEP 4:
 Carefully place HS2
 step onto Place. Secure
 mounting holes over OE
 studs. Best to have a
 assistant to lift and hold
 board in place. Now hand
 tighten nuts to OE studs.



STEP 5:
 Begin tightening bolts
 in a alternating pattern.
**Avoid using power
 or air tools.**
 Over tightening could
 stripe or break the OE
 threaded inserts.



STEP 6:
 Tighten to 20ft lbs torque
 to secure the board to
 the truck. Repeat the
 same procedure to the
 other side.

